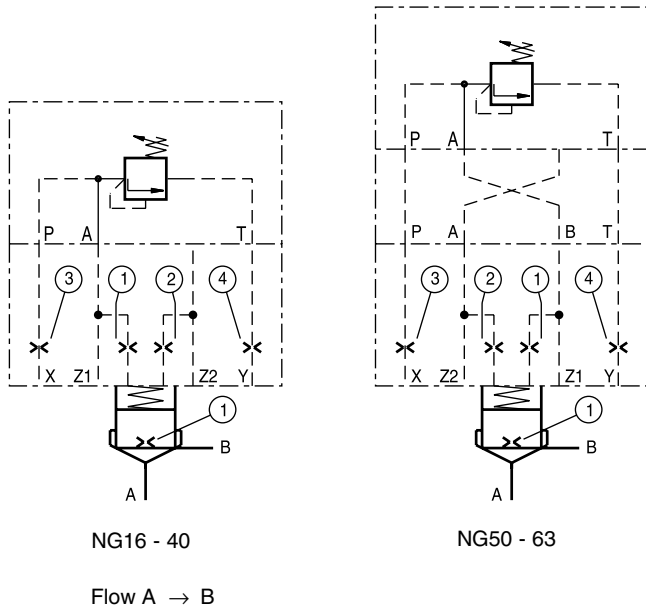
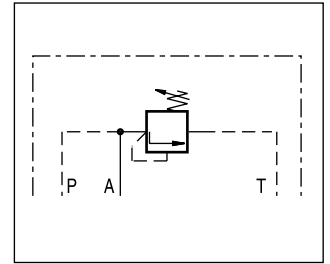


Pressure relief valve consisting of:



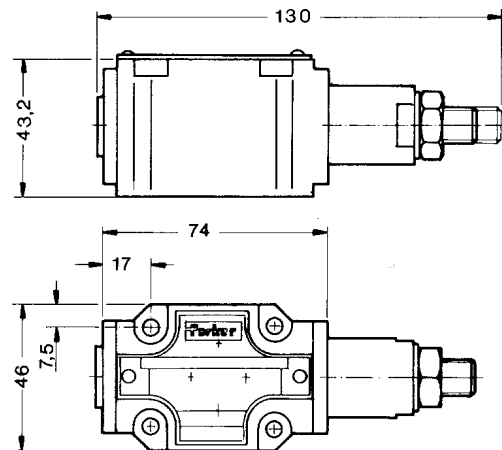
**Bold letters =**  
 Short-term availability

Pressure relief valve



V-DSDA100 x P07 x

Code	Description	Code	Pressure range
<b>2</b>	<b>Hexagon screw with lock nut</b>	<b>E</b>	<b>175 bar</b>
61	Turning knob with E10 lock	<b>K</b>	<b>350 bar</b>



Description	Type					
	NG16	NG25	NG32	NG40	NG50	NG63
Pressure valve <sup>1)</sup>	DSDA100xP07x					
Adapter plate <sup>2)</sup>	without			PADA1007/A-B/B-A		
Cover <sup>3)</sup>	C016CA*	C025CA*	C032CA*	C040CA*	C050CA*	C063CA*
Cover-orifice ①	M5xØ1.1	M5xØ1.3	M5xØ1.4	M5xØ1.5	M6xØ1.6	M6xØ1.7
Cover-orifice ②	M5xØ00			M6xØ00		
Cover-orifice ③	M5xØ99	M6xØ99		M8xØ99		
Cover-orifice ④	M5xØ1.3	M6xØ1.5	M6xØ1.7	M6xØ1.8	M8xØ2.0	M8xØ2.2
Cartridge <sup>4)</sup>	CE016C01*	CE025C01*	CE032C01*	CE040C01*	CE050C01*	CE063C01*
Poppet orifice ①	1/16NPT x Ø0.9	1/16NPT x Ø1.1	1/16NPT x Ø1.2	1/16NPT x Ø1.3	1/16NPT x Ø1.4	1/16NPT x Ø1.5
Spring	1.6 bar, type S (specify the NG)					
Bolt kit cover	BK414	BK391	BK415	BK416	BK417	BK418
Bolt kit pilot	BK387					

Shown orifice Ø are recommendations  
 xxØ00 = plug  
 xxØ99 = open

- <sup>1)</sup> complete type see ordering code D1VW\*
- <sup>2)</sup> included O-rings and mounting bolts
- <sup>3)</sup> complete type see ordering code C\*C
- <sup>4)</sup> complete type see ordering code CE\*