

## Fully adjustable pressure compensated flow control valve with reverse flow check

Capacity:  
6 gpm (23  
L/min.)

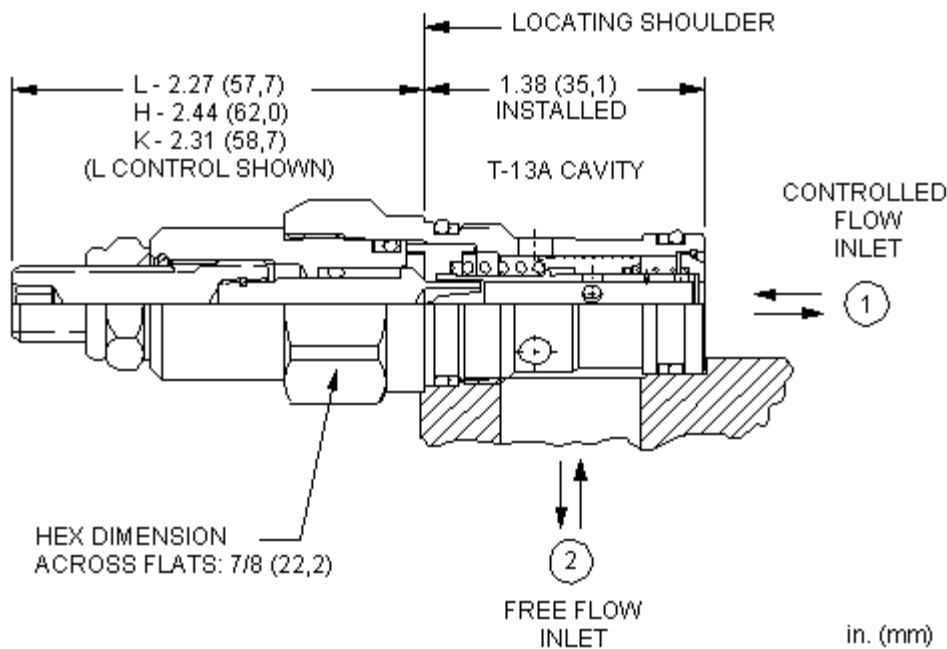
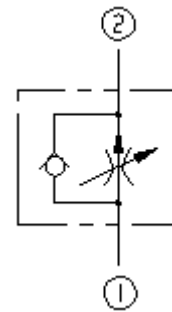
Functional Group:

Products : Cartridges : Flow Control : 2 Port : Fully Adjustable, Pressure Compensated, with Reverse Flow Check

Model:  
FDBA

### Product Description

Fully adjustable, pressure-compensated flow controls with reverse-flow check provide precise flow regulation for meter-in or meter-out applications where there may be wide pressure fluctuations. They are infinitely adjustable from nearly closed up to the maximum flow. An integral high-capacity check valve provides unrestricted flow from port 2 to port 1.



### Technical Features

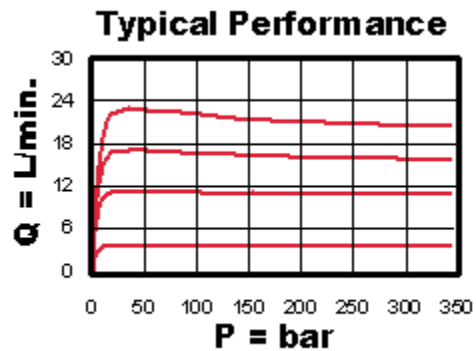
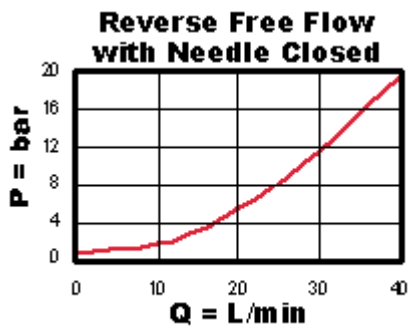
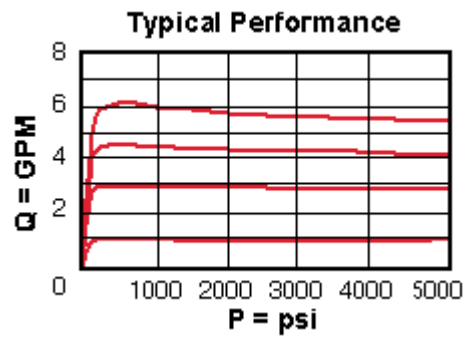
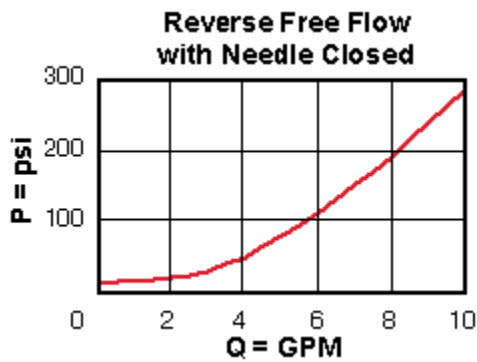
- All 2-port flow control cartridges are physically and functionally interchangeable (i.e. same flow path, same cavity for a given frame size). However, cartridge extension dimensions from the mounting surface may vary.
- A balanced adjustment mechanism allows for easy adjustment even at high pressures.
- Accurate pressure compensated control requires
- The sharp-edged orifice design minimizes flow

that a 200 psi (14 bar) minimum pressure differential be maintained across the valve.

variations due to viscosity changes.

Technical Data

	U.S. Units	Metric Units
Cavity		T-13A
Capacity	6 gpm	23 L/min.
Adjustment - Number of Counterclockwise Turns - Fully Closed to Fully Open		5
Maximum Operating Pressure	5000 psi	350 bar
Series (from Cavity)		Series 1
U.S. Patent #		4,630,640
Valve Hex Size	7/8 in.	22,2 mm
Valve Installation Torque	30 - 35 lbf ft	45 - 50 Nm
Adjustment Screw Internal Hex Size	5/32 in.	4 mm
Adjustment Nut Hex Size	9/16 in.	15 mm
Adjustment Nut Torque	108 lbf in.	12 Nm
Model Weight	0.32 lb.	0.15 kg.
Seal Kits - Cartridge		Buna: 990-010-007
Seal Kits - Cartridge		Viton: 990-010-006



FDBA-LAN

Control

Adjustment Range

External Material/Seal Material

*Preferred Options*

L Standard Screw Adjustment	A .1 - 6 gpm (0,4 - 23 L/min.)	N	Buna-N
-----------------------------	--------------------------------	---	--------

*Standard Options*

H Calibrated Handknob with Detent Lock	B .1 - 2 gpm (0,4 - 8 L/min.)	V	Viton
K Handknob			

*Additional Options( [Click Here](#))*

Control	Adjustment Range	External Material/Seal Material
C* Tamper Resistant - Factory Set	C .1 - 1 gpm (0,4 - 4 L/min.)	
O Handknob with Panel Mount	W .1 - 5 gpm (0,4 - 20 L/min.)	
	Y .1 - 4 gpm (0,4 - 15 L/min.)	

Stainless material/seal options not available for this model

\* Special Setting required, specify at time of order  
Customer specified setting stamped on hex \$1.10

- Explanation of Sun cartridge control options - US units.
- Explanation of Sun cartridge control options - metric units.