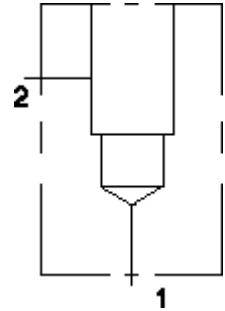
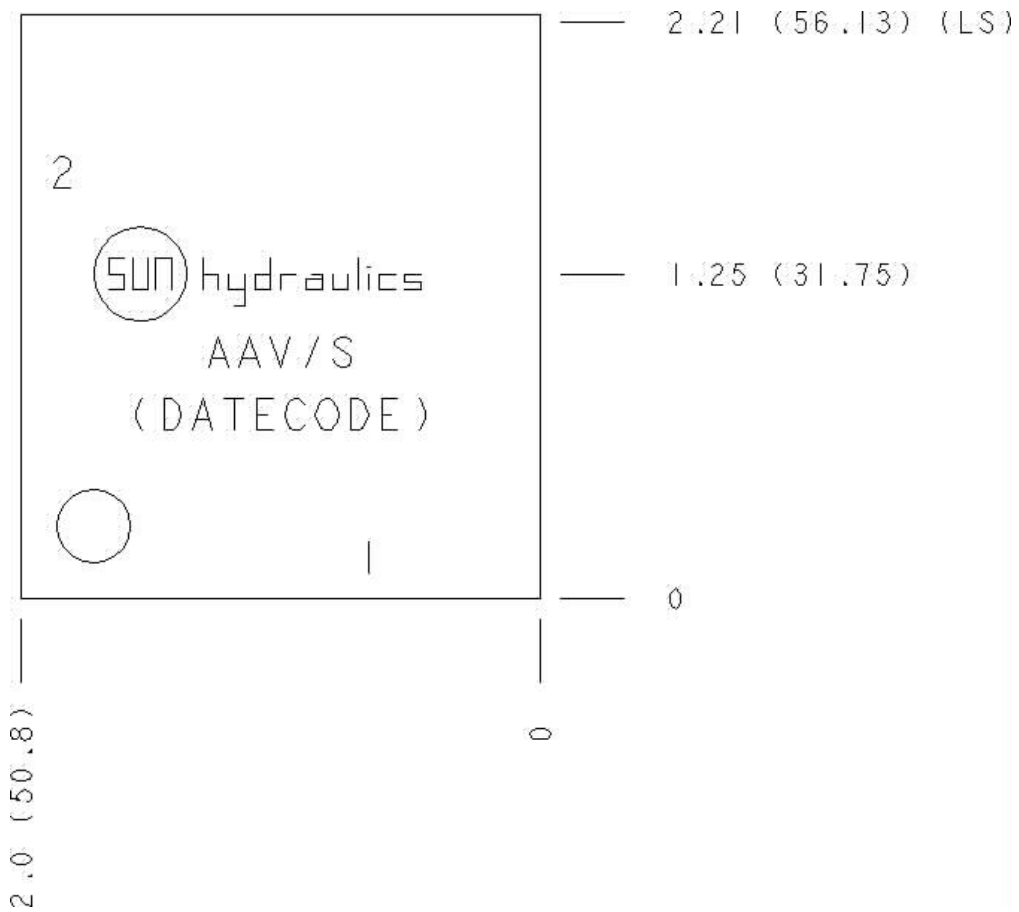


Functional Group:  
 Products : Manifolds : Line mount : Relief : 2 Port : Ninety degree

Model:  
 AAV/S



Face: 8



Port Headings and Sizes

AAV All Ports 1/2" BSPP

---

---

Technical Data

	U.S. Units	Metric Units
Model Weight	1.12 lb.	0.51 kg.
Cavity	T-162A	
Body Features	Ninety degree	
Body Type	Line mount	
Interface	None	
Open Cavity Quantity	1	
Mounting Hole Diameter	.28 in.	7,1 mm
Mounting Hole Depth	Through	
Mounting Hole Quantity	1	

---

---

---

Option Selection

U.S. Dollar ▼

Aluminum Body Pressure Rating: 3000 psi (210 bar)  
Ductile Iron Body Pressure Rating: 5000 psi (350 bar)

Model Code	Description
AAV	Aluminum, Buna-N, U.S. Units
AAV/S	Ductile Iron, Buna-N, U.S. Units

---

---

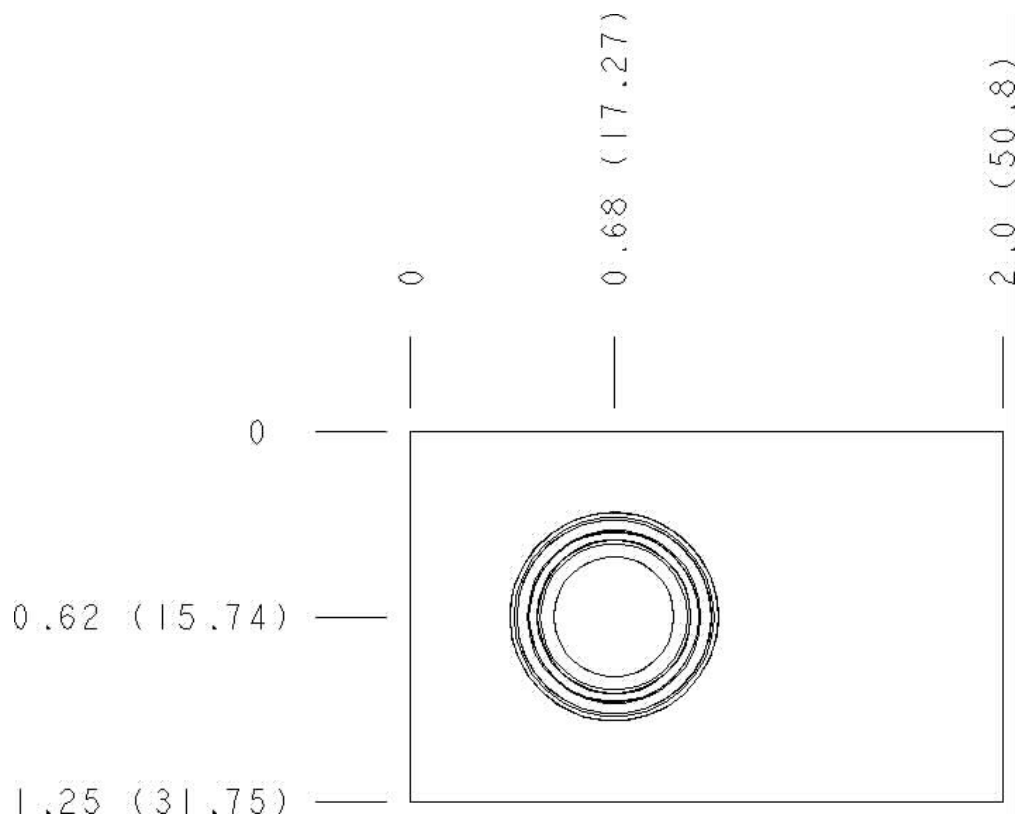
---

Special Notes

- No Special Notes Available for selected model.
- 
- 
- 

Face 2

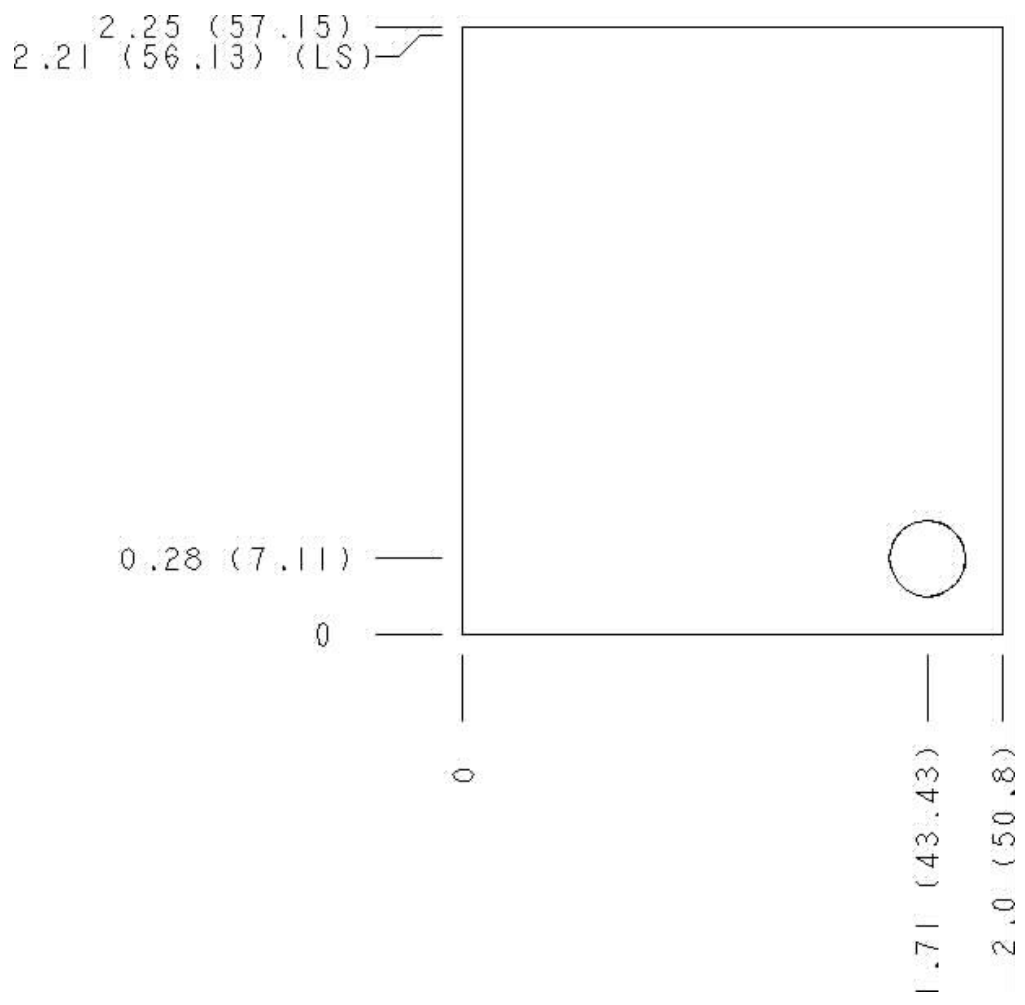
---



---

Face 6

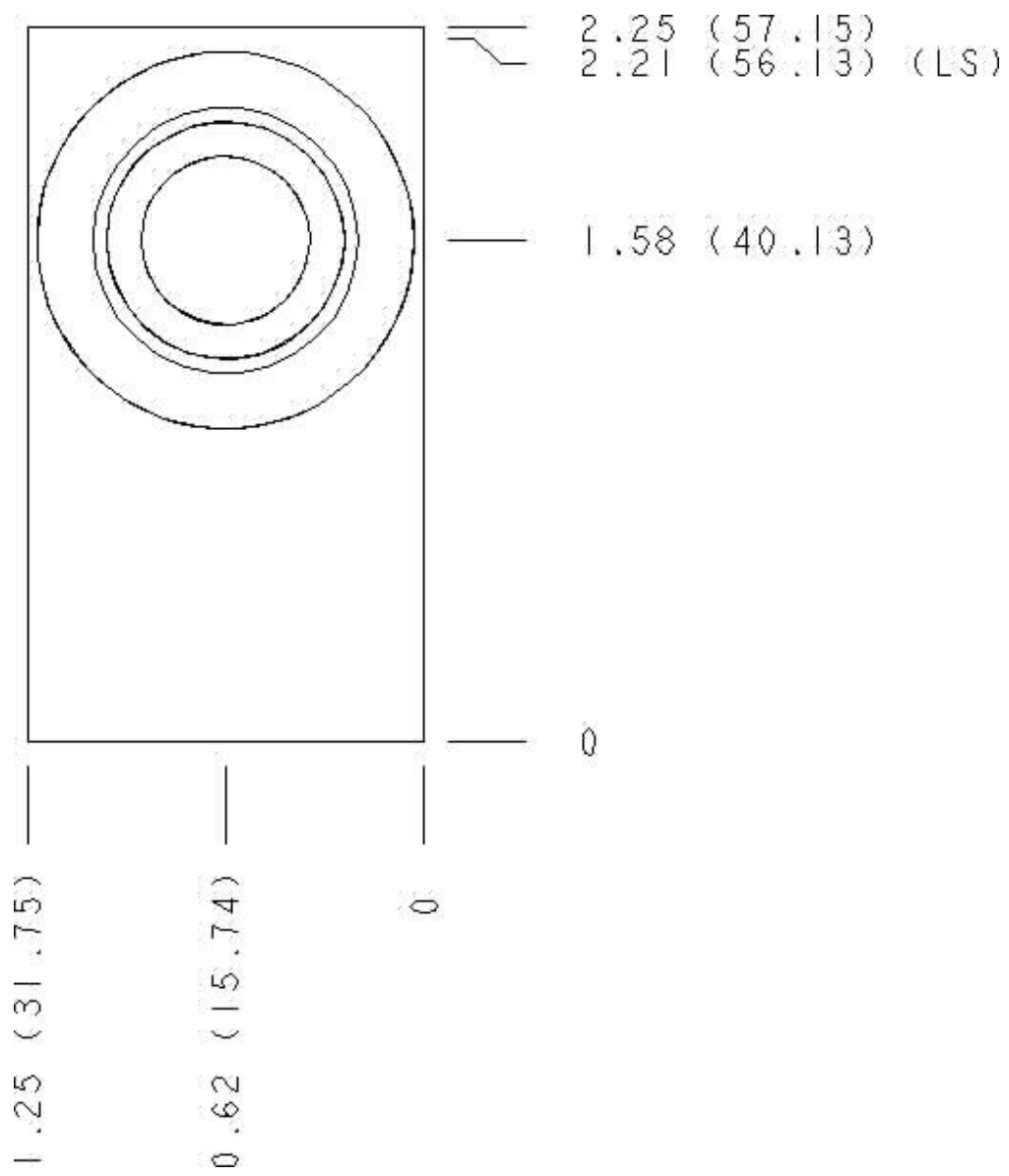
---



---

Face 7

---




---

Face 10

---

