

Diagrams and charts

Index	Remarks	Creator	Checker	Approver	Date
1	FAT-Revision	CS	SBG	WW	02.09.24

Customer SMO RI EL COC TPS DC

Project ProRail, Den Haag Noord

Plant RECTIFIER
SITRAS ® REC
DC 1500V

Plant Section GENERAL DOCUMENTS +MC00 (GLR1)
COVER SHEET

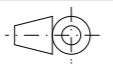
Job identification / SAP C.6837

Date of first issue 06.06.23

Customer document No.

Workshop No. 7000-2887-0

Mechanical documentation

M	A3	EN	NAME	DATE
				
Created by			Thita	06.06.23
Checked by			Seeberger	06.06.23
Approved by			Wenzel	06.06.23

Document designation =PABBC&EAA000 +MC00 (GLR1) / A / AA1

Producer document No. A52811-E7640-U001-1

This drawing was produced electronically and requires no signature. It may not be amended manually.

Copyright © Siemens Mobility GmbH 2023. All Rights Reserved. When integrating this assembly into the plant the common rules for electrical and mechanical safety as well as the submitted documentation must be observed. Dissemination, reproduction of this drawing as well as utilization of its contents and communication thereof to others without express authorization are prohibited. Offenders will be held liable for payment of damages. All rights created by patent grant or registration of a utility model or design patent are reserved.

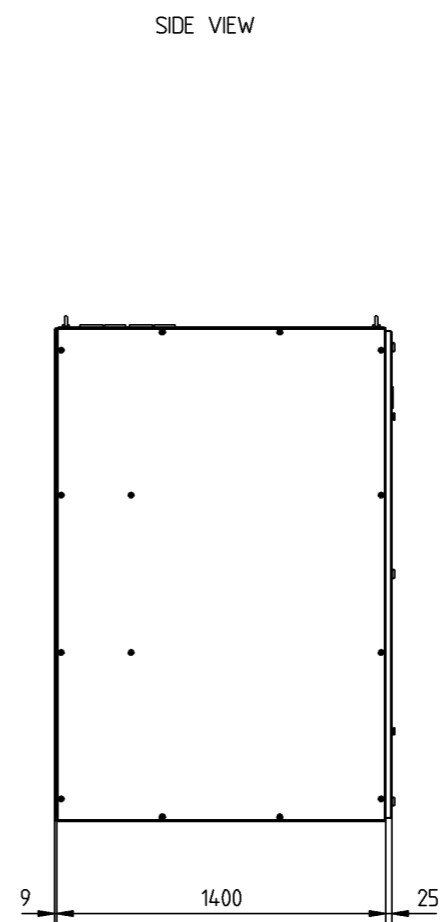
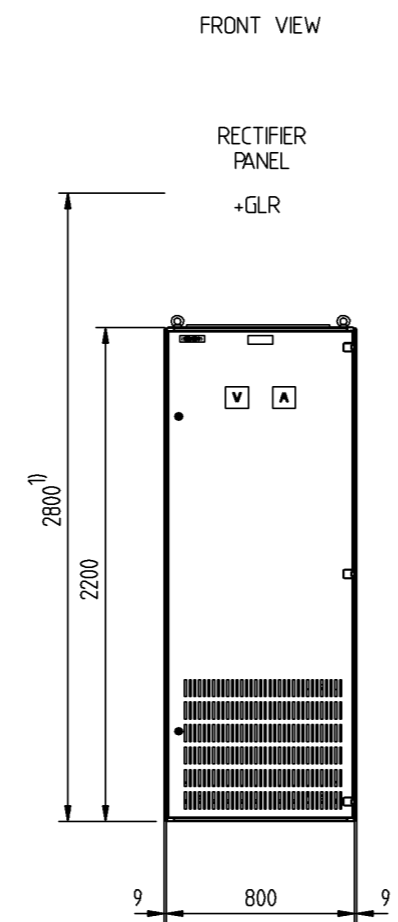
Labeling			Customer Drawing No.:	Drawing No.:	Page	Pages	Revision	Date	Description	Creator
=PABBC +MC00 (GLR1)	A	AA1		A52811-E7640-U001-1	1	1	1	02.09.24	GENERAL DOCUMENTS +MC00 (GLR1) COVER SHEET REGISTER	SMO RI EL COC TPS
=PABBC +MC00 (GLR1)	A	AB1		A52811-E7640-L002-1	1	1	1	02.09.24	GENERAL DOCUMENTS +MC00 (GLR1) LIST OF DOCUMENTS REGISTER	SMO RI EL COC TPS
=PABBC +MC00 (GLR1)	U	YU1		A52811-E7640-V094-1	1	1	1	02.09.24	GENERAL DOCUMENTS +MC00 (GLR1) GENERAL VIEW ARRANGEMENT DRAWING	SMO RI EL COC TPS
=PABBC +MC00 (GLR1)	H	YY1		A52811-E7640-V098-1	1	1	1	02.09.24	GENERAL DOCUMENTS +MC00 (GLR1) INSULATED FLOOR MOUNTING CUTOUPS CIVIL WORK DRAWING	SMO RI EL COC TPS

1	FAT-Revision	CS	SBG	WW	02.09.24	Creat.	Thita	06.06.23	SMO RI EL COC TPS DC	 Siemens Mobility GmbH SMO RI EL COC TPS	GENERAL DOCUMENTS +MC00 (GLR1) LIST OF DOCUMENTS REGISTER	=PABBC &EAB000 +MC00 (GLR1) A / AB1
					Check.	Seeberger	06.06.23	ProRail, Den Haag Noord				
					Appr.	Wenzel	06.06.23	DC SWITCHGEAR, DSG, DC 1500V;				
Index	Remarks	Creat	Check	Appr	Date		Name	Date	Origin: /Replacement for: /Replaced by:			

This drawing was produced electronically and requires no signature. It may not be amended manually.

Copyright © Siemens Mobility GmbH 2023. All Rights Reserved. When integrating this assembly into the plant the common rules for electrical and mechanical safety as well as the submitted documentation must be observed. Dissemination, reproduction of this drawing as well as utilization of its contents and communication thereof to others without express authorization are prohibited. Offenders will be held liable for payment of damages. All rights created by patent grant or registration of a utility model or design patent are reserved.

Item_ID	Rev	State	Rev	Name	State
C_0009575	D		003	C6837_Assembly MC00_GLR	10



*) SHIPPING SPLITS
USE TRANSPORT BRACKETS ACCORDING TO
MANUFACTURING AND OPERATING INSTRUCTION
1) MINIMUM ROOM HEIGHT
COLOR RAL 6018

Index	Remarks	Creat	Check	Appr	Date	Name	Date	Origin: /Replacement for: /Replaced by:
1	FAT-Revision	CS	SBG	WW	02.09.24	Thita	06.06.23	SMO RI EL COC TPS DC
						Seeberger	06.06.23	ProRail, Den Haag Noord
						Wenzel	06.06.23	DC SWITCHGEAR, DSG, DC 1500V;

SIEMENS
Siemens Mobility GmbH
SMO RI EL COC TPS

GENERAL DOCUMENTS +MC00 (GLR1)
GENERAL VIEW
ARRANGEMENT DRAWING

		=PABBC &ELU000	
		+MC00 (GLR1) U / YU1	
C.6837		EN	
7000-2887-0	SCL	---	A52811-E7640-V094-1
		Page 1-	of 1

1 2 3 4 5 6 7 8

A B C D E F

A B C D E F

1 2 3 4 5 6 7 A3

This drawing was produced electronically and requires no signature. It may not be amended manually.

Copyright © Siemens Mobility GmbH 2023. All Rights Reserved. When integrating this assembly into the plant the common rules for electrical and mechanical safety as well as the submitted documentation must be observed. Dissemination, reproduction of this drawing as well as utilization of its contents and communication thereof to others without express authorization are prohibited. Offenders will be held liable for payment of damages. All rights created by patent grant or registration of a utility model or design patent are reserved.

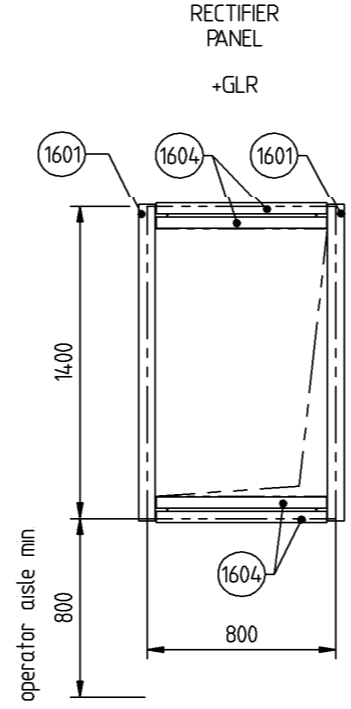
Item_ID	Rev	State	Rev	Name	State
C.0009575	D		003	C6837_Assembly_MC00_GLR	10

NOTE

THE FLOOR SHOULD BE EVEN AND CLEAN
(MAXIMUM 1MM/M AND MAXIMUM 2MM OVER ENTIRE SWITCHGEAR PLANT ACCORDING TO DIN 43661)

SUFFICIENT LOAD CARRYING CAPACITY
MUST BE ASSURED

INSULATED FLOOR MOUNTING



Find No	Item ID	Rev	Qty	Name	Description	Row Size	UNT	Norm Number	Material	Material Number	Material Standard	Surface	Manufacturer	Manufacturing ID
1601	S.2200E335	A	2	Insulating stripe	5.70x1420		PC		PF CP 203 - Melamine 2x0,25mm - Colour 741	-	IEC 60893-3-1			
1604	S.2200E336	A	4	Insulating stripe	5.50x725		PC		PF CP 203 - Melamine 2x0,25mm - Colour 741	-	IEC 60893-3-1			

F	1	FAT-Revision	CS	SBG	WW	02.09.24	Creat.	Thita	06.06.23	SMO RI EL COC TPS DC	 Siemens Mobility GmbH SMO RI EL COC TPS	GENERAL DOCUMENTS +MC00 (GLR1) INSULATED FLOOR MOUNTING CUTOUTS CIVIL WORK DRAWING	=PABBC &ELU000			
							Check.	Seeberger	06.06.23	ProRail, Den Haag Noord			+MC00 (GLR1) H / YY1			
							Appr.	Wenzel	06.06.23	DC SWITCHGEAR, DSG, DC 1500V;		C.6837		EN		
	Index	Remarks	Creat	Check	Appr	Date		Name	Date	Origin: /Replacement for: /Replaced by:		7000-2887-0	SCL	--- A52811-E7640-V098-1	Page 1- of 1	
	1		2					3		4		5		6	7	A3