

885 - Compact Dark - DIP SWITCH

Code: 156452-39

GENERAL INFORMATION



Article	885 - Compact Dark - DIP SWITCH
Code	156452-39

DIMENSIONS AND WEIGHT

Height (mm)	110 mm
Diameter (Ø) (mm)	232 mm
Weight (Kg)	0.60 kg

INSTALLATION

Min. recessed cut-out hole (mm)	195 mm
Max. recessed cut-out hole (mm)	210 mm

ELECTRICAL CHARACTERISTICS AND CONTROLS

Voltage	type	Min	AC
Voltage	(V)	Max	220 V
Voltage	(V)	Min	240 V
Frequency (Hz)	Max	50 Hz	
Frequency	(Hz)	60 Hz	
Frequency	(Hz)	50 Hz	
Wiring name	Power	CLD	
factor	Insulation	≥0.92	
class	Controllability	Class II	
Integrated Function	Yes (Integrated)		
Flux/power settings (factory)			



The lighting of passage areas (stairwells, corridors, entrances) and workstations (public buildings, offices, hotels restaurants) is very important in both aesthetic and functional terms. Moreover, well-lit public and residential areas contribute to providing a sense of security and wellbeing. The robust and high-quality Compact recessed spotlights by Disano are the best solution, as they can be easily inserted into any setting while guaranteeing maximum efficiency and long service life. Disano's Compact spotlight now also includes the Compact Dark version, specifically designed for workplaces, now features glare-free metallised aluminium optics and the latest generation of high-efficiency LEDs. In addition to the excellent quality of the LED light, featuring an extraordinary colour rendering index, Health spotlights are also certified as being low flicker, indicating a stable light output producing minimum flicker levels.



885 - Compact Dark - DIP SWITCH

Code: 156452-00

PHOTOMETRIC DATA



Lighting source	LED
CRI	80
Luminous flux (output) (lm)	1431 lm
Power absorption (total) (W)	9 W
CCT	3000 K
Low Flicker	luminaire with very low flicker: evenly distributed light for greater visual safety.
LED flux maintenance	50000 hr, L 90, B 10

MECHANICAL CHARACTERISTICS

Impact resistance rating (IK)	IK06
IP (vl)	54
IP (va)	20

885 - Compact Dark - DIP SWITCH

Code: 156452-00

MATERIALS AND COLOURS

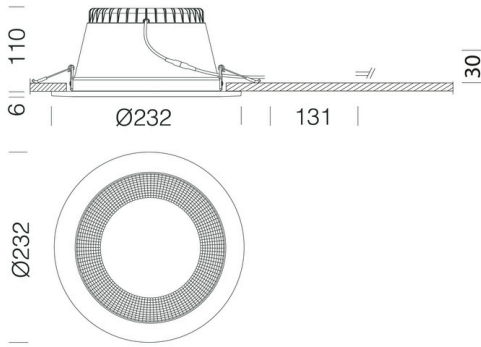
Housing	aluminium with springs for recess mounting.
Optics	made in metallized aluminium.
Diffuser	made of shatterproof and self-extinguishing V0 polycarbonate with anti-glare shielding.
Coating	epoxy polyester powder coating resistant to UV rays.
Colour	White
Equipment	As standard, Compact Dark comes with LOOP-IN: a terminal that allows the installer to connect the power line cable to the internal circuit through automatic wire clamps.

STANDARDS AND COMPLIANCE

Photobiological safety class	RG0
Markings and tests	CE, ENEC
Reference standards	EN60598-1. With degree of protection according to EN60529.

WARRANTY

After sales warranty	5 yr
----------------------	------



DOWNLOAD

DESIGNS

TechnicalDrawing 885-26.dxf

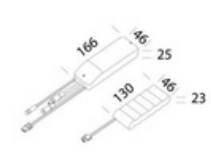


885 - Compact Dark - DIP SWITCH

Code	LED	Wtot	K - Lumen Output - CRI	UGR
156452-00	250	9	4000K - 1431lm - CRI 80	>19
156452-00	300	11	4000K - 1721lm - CRI 80	>19
156452-00	450	16	4000K - 2549lm - CRI 80	
156452-00	500	18	4000K - 2857lm - CRI 80	

885 - Compact Dark - DIP SWITCH

Code: 156452-00



600 EM power supply kit