

## Air handling units

Order No.: 00622044/01(modification no.1 from 31.01.00)

<b>Customer</b>	<b>ELCO WOLF B.V.</b>	Responsible in yr.	WENDELS, M.
Project / commission	Stadtgefängnis Koddeweg	com	
Responsible in our com	Monika Ziegler	Pos	LBK/AVE 223.01
Your job number	891804/14 + 25	Order volume	1
Unit typee	Supply and exhaust air Double stacked		
<b>Unit size supply air</b>	<b>KG 40 Gigant</b>	Air volume supply air	2000 m³/h
<b>Unit size exhaust air</b>	<b>KG 40 Gigant</b>	Air volume exhaust air	2000 m³/h

Casing design Gigant-casing

### Supply air:

#### (1) Exhaust air section/empty section

Damper S internal Flexible connection S

#### (2) Bag filter section

Initial resistance	90 Pa	Selection resistance	140 Pa
Filter bag F7		Lightning 24 Volt,Mounted and wired	
Access door bag filter section			

#### (3) Heating section

Heat exchanger typee	II Cu/Al LT	Medium on temp.	6,1 °C
Connection (inlet/outlet)	1 1/4 Zoll	Medium off temp.	3,9 °C
Air-on temperature	-10,0 °C	Medium flow rate	3,50 m³/h
Air-off temperature	0,6 °C	Antifreeze percentile	30 %
Capacity (total )	7,8 kW	Pressure drop medium	12,6 kPa
Air pressure drop	70 Pa		
Coating,Coating		Flange/counterflange,DN 32	

#### (4) Heating section

Heat exchanger typee	1 Cu/Al LT	Medium on temp.	90,0 °C
Connection (inlet/outlet)	3/4 Zoll	Medium off temp.	70,0 °C
Air-on temperature	0,6 °C	Medium flow rate	0,61 m³/h
Air-off temperature	20,0 °C	Antifreeze percentile	0 %
Capacity (total )	13,8 kW	Pressure drop medium	3,1 kPa
Air pressure drop	31 Pa		
Coating,Coating		Flange/counterflange,DN 20	

#### (5) Fan,Standard design

Air volume	2000 m³/h	Fan - speed	3188 1/min
External pressure	300 Pa	Peripheral velocity	37,6 m/s
Internal pressure	289 Pa	Efficiency	81,6 %
Dynamic pressure	29 Pa	<b>Motor - capacity</b>	<b>0,5/0,1 kW</b>
Total pressure	618 Pa	<b>Motor - speed</b>	<b>1500/750 1/min</b>
Impeller	Backward inclined	<b>Motor - voltage</b>	<b>3*400 V</b>
Fan type	T-HLZ 225	<b>Motor-current*</b>	<b>1,8/0,7 A</b>
Discharge position	A	Motor size	80
Fan - capacity	0,42 kW	Total sound power	79,3 dBA

**\*max. nom. current:motors used are slightly different.Choose range of overload relay so that stated nom. current is within the upper third.**

Isolator mounted and wired,AR 6/5,5  
Fan pulley,not adjustable, acc. to technical department  
Lightning 24 Volt,Mounted and wired

**Motor protection,Without motor protection**  
Motor pulley,not adjustable, acc. to technical department  
Access door

#### (6) Empty section with air diffusor

Selection resistance  
Air diffusor, Pressure side, Standard

20 Pa

## (7) Attenuator type 3

Selection resistance 8 Pa Insertion attenuation

63 Hz	125 Hz	250 Hz	500 Hz	1000 Hz	2000 Hz	4000 Hz	8000 Hz
7 dBA	14 dBA	24 dBA	25 dBA	26 dBA	20 dBA	14 dBA	13 dBA

Flexible connection Q

## Exhaust air:

### (8) Fan, Standard design

Air volume	2000 m <sup>3</sup> /h	Fan - speed	3052 1/min
External pressure	300 Pa	Peripheral velocity	36,0 m/s
Internal pressure	218 Pa	Efficiency	80,9 %
Dynamic pressure	29 Pa	<b>Motor - capacity</b>	<b>0,5/0,1 kW</b>
Total pressure	547 Pa	<b>Motor - speed</b>	<b>1500/750 1/min</b>
Impeller	Backward inclined	<b>Motor - voltage</b>	<b>3*400 V</b>
Fan type	T-HLZ 225	<b>Motor-current*</b>	<b>1,8/0,7 A</b>
Discharge position	A	Motor size	80
Fan - capacity	0,38 kW	Total sound power	78,2 dBA

**\*max. nom. current: motors used are slightly different. Choose range of overload relay so that stated nom. current is within the upper third.**

Flexible connection D

Access door

**Motor protection, Without motor protection**

Motor pulley, not adjustable, acc. to technical department

Lightning 24 Volt, Mounted and wired

Isolator mounted and wired, AR 6/5,5

Fan pulley, not adjustable, acc. to technical department

### (9) Attenuator type 3

Selection resistance 8 Pa Insertion attenuation

63 Hz	125 Hz	250 Hz	500 Hz	1000 Hz	2000 Hz	4000 Hz	8000 Hz
7 dBA	14 dBA	24 dBA	25 dBA	26 dBA	20 dBA	14 dBA	13 dBA

### (10) Cooling section

Heat exchanger type	Cu/Cu SOKA 3872	Medium off temp.	6,1 °C
Connection (inlet/outlet)		Medium flow rate	3,50 m <sup>3</sup> /h
Air-on temperature	20,0 °C	Antifreeze percentile	30 %
Relative humidity	40,0 %	Pressure drop medium	12,6 kPa
Air-off temperature	8,2 °C		
Relative humidity	86,3 %		
Capacity (total)	79,0 kW		
Pressure drop (drop elim.)	22 Pa		
Air pressure drop	58 Pa		
Medium on temp.	3,9 °C		
Special heat exchanger			
Designation	Sonder Register	Special number	38721
Drop eliminator, T 400		Drain connection on connection side	

### (11) Bag filter section

Initial resistance	60 Pa	Selection resistance	110 Pa
Filter bag F5		Lightning 24 Volt, Mounted and wired	
Access door bag filter section			

### (12) Exhaust air section/empty section

Damper S internal Flexible connection S

### General accessory:

2 Pcs. Linkage external, Linkage 1 (lever)	4 Pcs. Indicator thermometer, Mounted, Teil 1, 7, 8, 12
2 Pcs. Diff. pressure manometer, Dwyer - Minihelic mounted, Filter	8 Pcs. Cable inlet, Without traction relief, Zuluft 5x Druck, 3x Temp.

6 Pcs. Cable inlet, Without traction relief , Abluft 4x Druck, 2x Temp.  
1 Pcs. Frost protection thermostat, Loose

## Unit dimensions

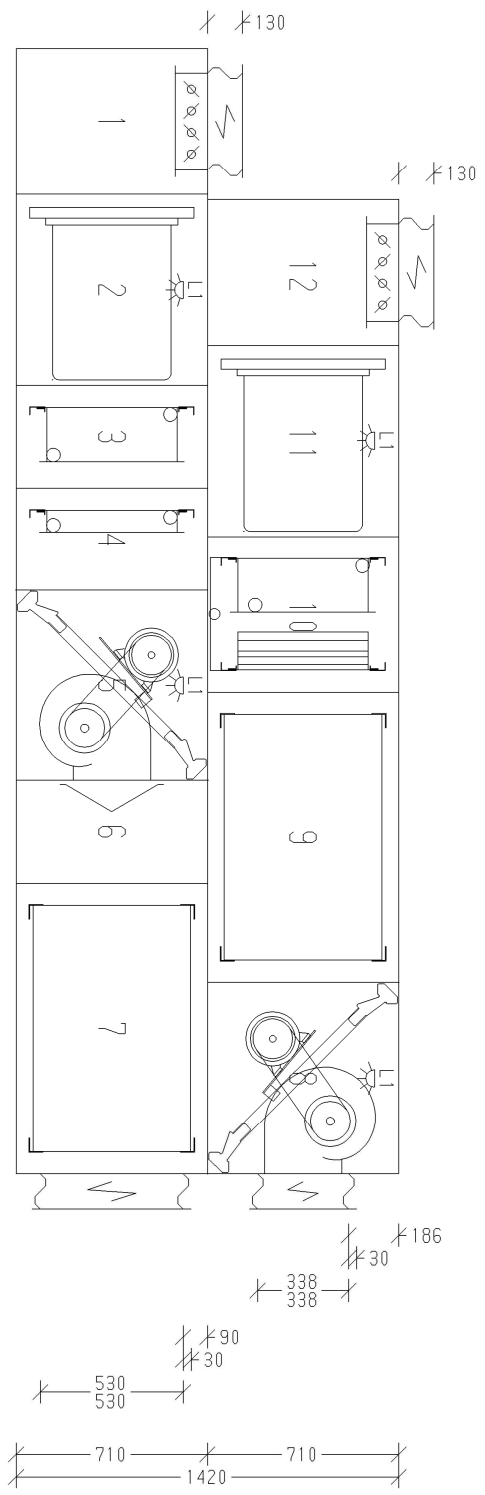
Length	4180 mm	Breadth	710 mm
Height	1420 mm	Weight	662 kg

Änderungslegende:

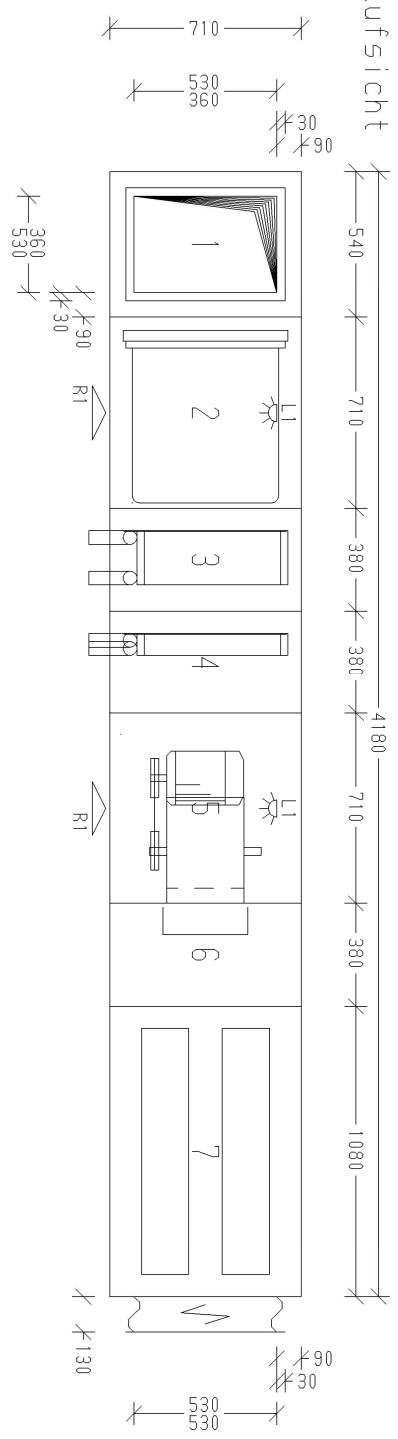
Underlined values were changed

~~Crossed out values were blanked~~

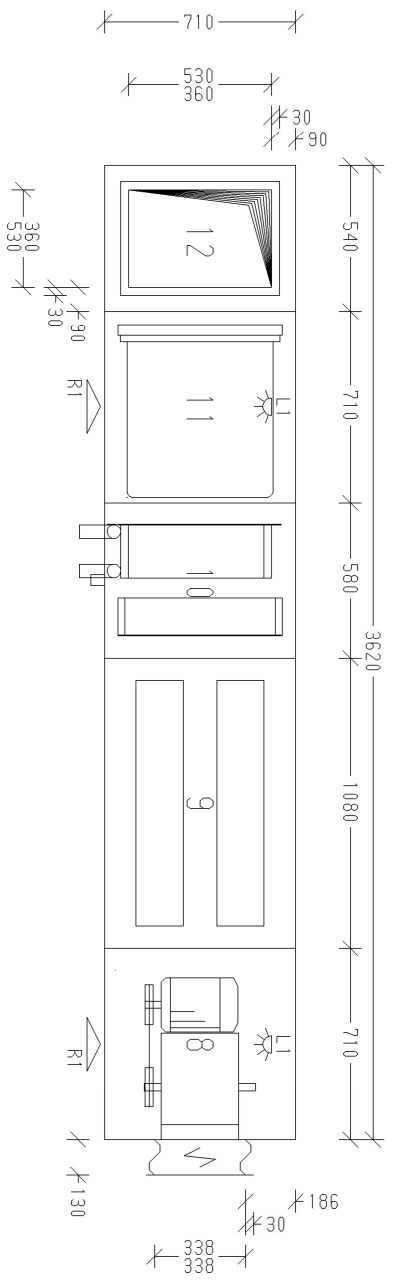
# Ansicht



# Draufsicht



# Draufsicht



**Wolf GmbH**  
 841048 Mainburg  
 Telefon 08751/74-0  
 Fax 08751/741574

## Gerät in 3 Teilen liefern

Teil	Bestehend aus Pos. Nr.:	Gewicht
1	1, 2, 3, 4	ca. 180 kg
2	5, 6, 7	ca. 180 kg
3	8, 9, 10, 11, 12	ca. 310 kg

- 12 Fortluftteil/Leerteil
  - 11 Taschenfilterteil F5
  - 10 Kühler teil
  - 9 Schalldampferteil Typ 3
  - 8 Ventilator teil
  - 7 Schalldampferteil Typ 3
  - 6 Leerteil
  - 5 Ventilator teil
  - 4 Erhitzer teil
  - 3 Erhitzer teil
  - 2 Taschenfilterteil F7
  - 1 Fortluftteil/Leerteil
- Gesamtgewicht ca. 622kg

Kunde: ELC0 WOLF B.U.  
 Projektname: Stadtgefängnis Koddeweg  
 Position: LBK/AUE 223.01  
 Bearbeitet: 14.12.1999 ZM  
 Datum Name  
 Projekt-Nr.: 00622044/01

L1 = Beleuchtung 24 Volt  
 R1 = Revisionsstüre

KG 40 Gigant