

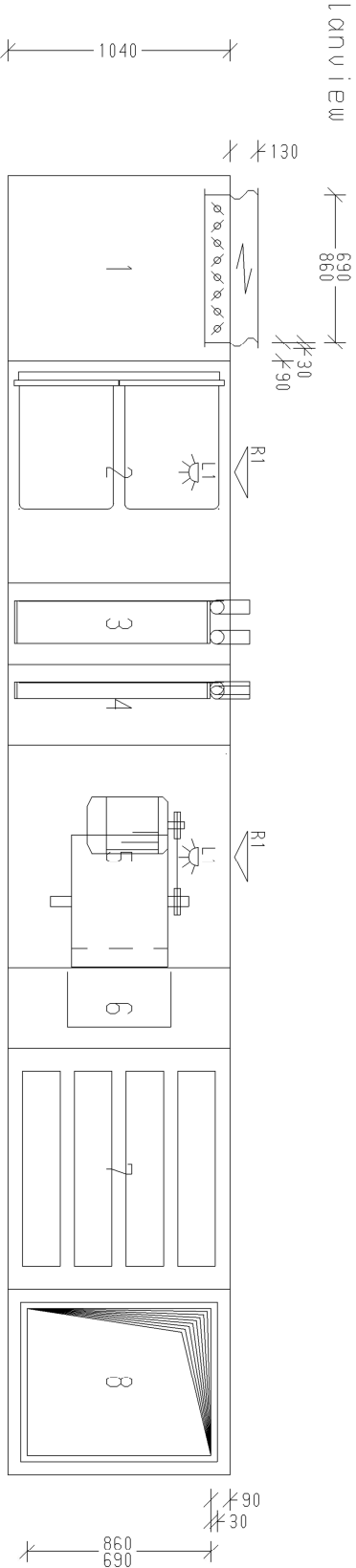
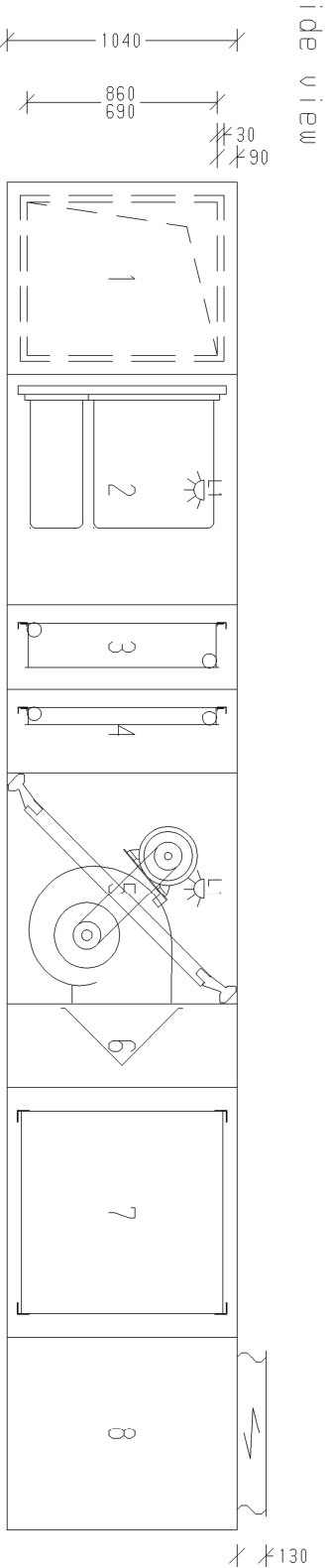


Wolf GmbH
 84048 Mainburg
 Telefon 08751/74-0
 Fax 08751/741574

Unit to be supplied in 2 sections

Part	Includes pos. no.:	Weight
1	1, 2, 3, 4	appr 370 kg
2	5, 6, 7, 8	appr 460 kg

Length of projection of damper linkage max. 120 mm from external unit surface, parallel to damper fins at access-side external.



Access door
 Lighting 24 Volt

- 8 Exhaust air section/empty section appr 86kg
- 7 Attenuator section type 3 appr 180kg
- 6 Empty section appr 46kg
- 5 Fan section appr 160kg
- 4 Heating section appr 68kg
- 3 Heat recovery-heater coil section appr 91kg
- 2 Bag filter section F7 appr 110kg
- 1 Exhaust air section/empty section appr 100kg
- Total weight appr 841kg

Client: Elco Wolf NL
 Projectname: Stadsgevangenis Koddeweg te Hoog
 Item: LBK 219.01
 Worked out: 99. Date ZM Name
 Order-Nr.: 00622043/09
 KG 100 Gigant