

Air handling units

Order No.: 00622044/07(modification no.1 from 31.01.00)

Customer	Elco Wolf NL	Responsible in yr.	Dhr. R. Teijgeler
Project / commission	Stadsgevangenis Koddeweg te Hoogvliet	com	
Responsible in our com	Monika Ziegler	Pos	AVE 220.01
Your job number	891804/22	Order volume	1
Unit typee	Exhaust air Horizontal		
Unit size exhaust air	KG 100 Gigant	Air volume exhaust air	5625 m ³ /h

Casing design Gigant-casing

Exhaust air:

(1) Empty section 580

Damper S internal

Flexible connection S

(2) Bag filter section

Initial resistance	68 Pa	Selection resistance	118 Pa
Access door bag filter section		Filter bag F5	
Lamp 24 Volt (dry room),Mounted and wired			

(3) Cooling section

Heat exchanger typee	Cu/Cu SOKA 3872	Medium off temp.	9,1 °C
Connection(inlet/outlet)		Medium flow rate	6,80 m ³ /h
Air-on temperature	20,0 °C	Antifreeze percentile	30 %
Relative humidity	40,0 %	Pressure drop medium	13,6 kPa
Air-off temperature	9,6 °C		
Relative humidity	78,0 %		
Capacity (total)	19,3 kW		
Pressure drop(drop elim.)	27 Pa		
Air pressure drop	60 Pa		
Medium on temp.	6,4 °C		
Special heat exchanger			
Designation	Sonder Register	Special number	38721
Drop eliminator,T 400		Drain connection on connection side	

(4) Attenuator type 3

Selection resistance 25 Pa Insertion attenuation

63 Hz	125 Hz	250 Hz	500 Hz	1000 Hz	2000 Hz	4000 Hz	8000 Hz
7 dBA	14 dBA	24 dBA	25 dBA	26 dBA	20 dBA	14 dBA	13 dBA

(5) Fan,Standard design

Air volume	5625 m ³ /h	Fan - speed	1983 1/min
External pressure	375 Pa	Peripheral velocity	36,9 m/s
Internal pressure	252 Pa	Efficiency	85,5 %
Dynamic pressure	35 Pa	Motor - capacity	1,4/0,30 kW
Total pressure	662 Pa	Motor - speed	1500/750 1/min
Impeller	Backward inclined	Motor - voltage	3*400 V
Fan type	T-HLZ 355	Motor-current*	3,8/1,8 A
Discharge position	B	Motor size	90
Fan - capacity	1,21 kW	Total sound power	82,2 dBA

***max. nom. current:motors used are slightly different.Choose range of overload relay so that stated nom. current is within the upper third.**

Access door	Lamp 24 Volt (dry room),Mounted and wired
Flexible connection D	Isolator mounted and wired,AR 6/5,5
Motor protection,Without motor protection	Fan pulley,90 SPZ 2 BG 30

Motor pulley,125 SPZ 2 BG 24

General accessory:

1 Pcs. Linkage external,Linkage 1(lever)

1 Pcs. Diff.pressure manometer,Dwyer - Minihelic
mounted , Filter

1 Pcs. Indicator thermometer,Mounted , Teil 1

1 Pcs. Indicator thermometer,Mounted , Teil 5

6 Pcs. Cable inlet,Without traction relief , 4x Druck, 2x Temp.

Unit dimensions

Length	4370 mm	Breadth	1040 mm
Height	1040 mm	Weight	612 kg

Änderungslegende:

Underlined values were changed

~~Crossed out values were blanked~~

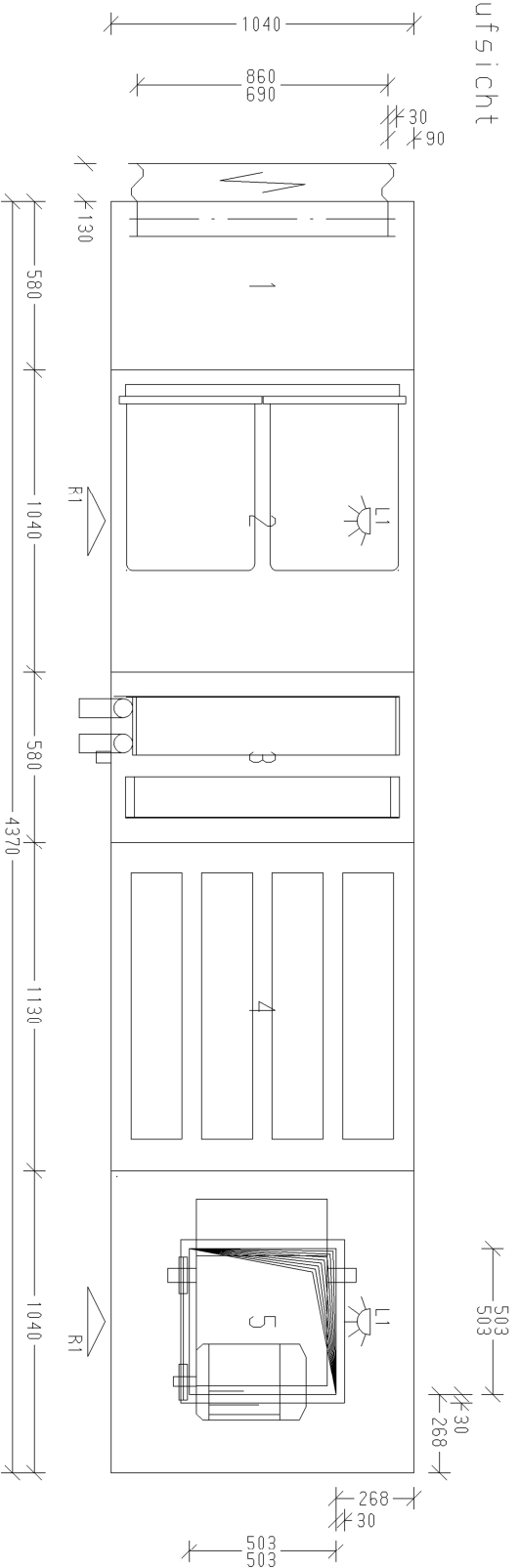
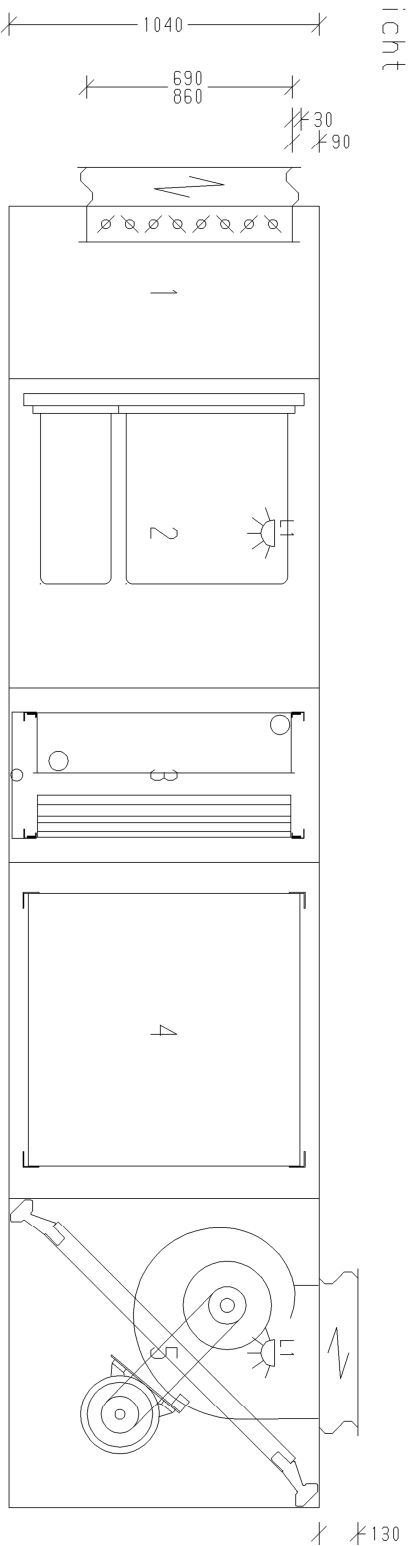


Wolf GmbH
84048 Mainburg
Telefon 08751/74-0
Fax 08751/741574

Gerät in 2 Teilen liefern

Teil	Bestehend aus Pos.Nr.:	Gewicht
1	1, 2	ca. 190 kg
2	3, 4, 5	ca. 420 kg

Überstand Jalousiekloppengestände max. 120 mm ab Geräteaußenkante auf Bedienungsseite außenliegend.



- 5 Ventilatorteil ca. 160kg
- 4 Schalldampfer Teil Typ 3 ca. 180kg
- 3 Kühlerenteil ca. 83kg
- 2 Taschenfilterteil FS ca. 110kg
- 1 Leerteil ca. 85kg
- Gesamtwicht ca. 618kg

Kunde: Elco Wolf NL

Projektname: Stödsgevingen's Koddeweg te Hoog

Position: RUE 220.01

Bearbeitet:	g9	Datum	ZM
		Name	

Projekt-Nr.: 00622044/07

KG 100 Gigant