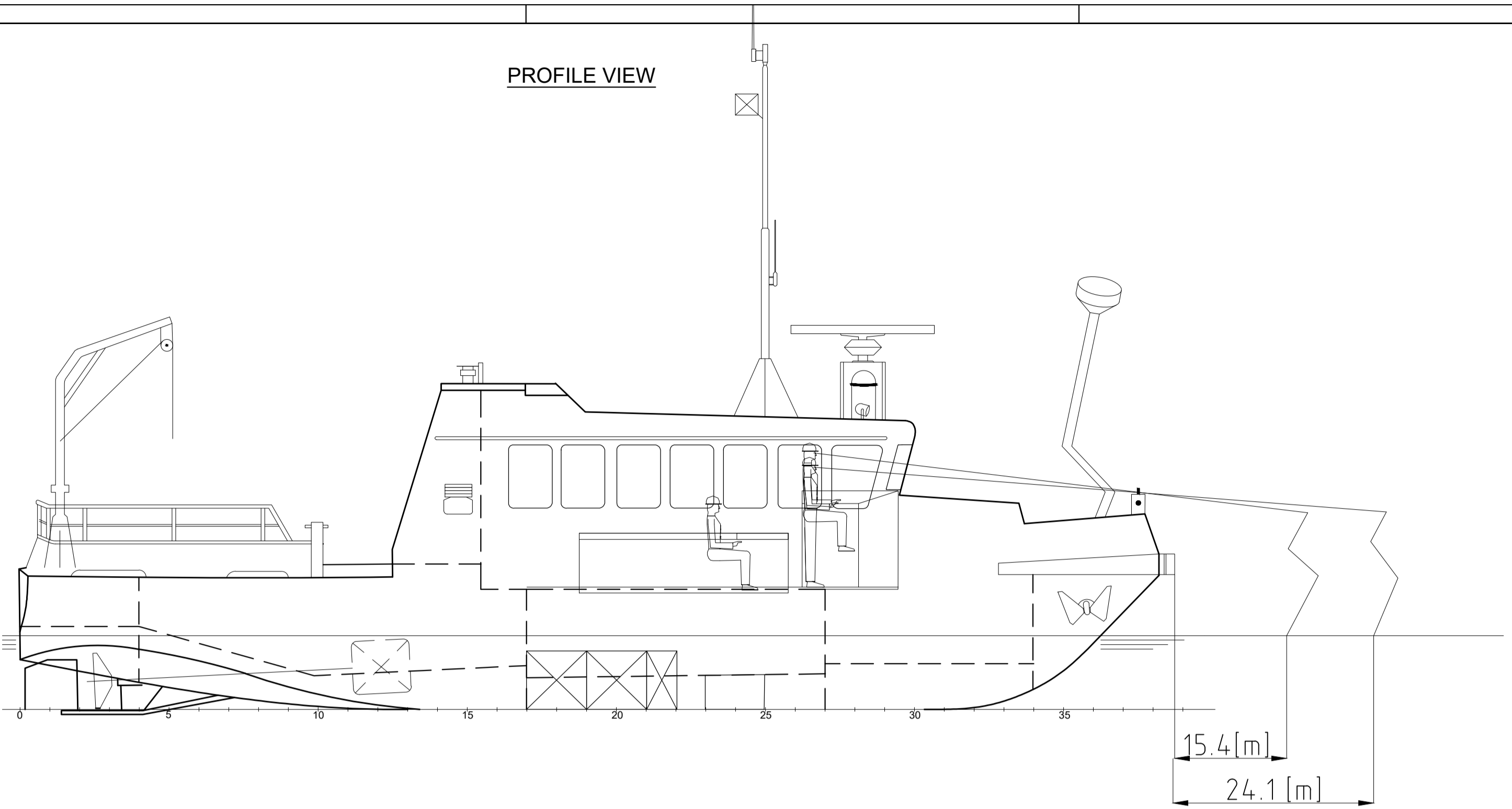
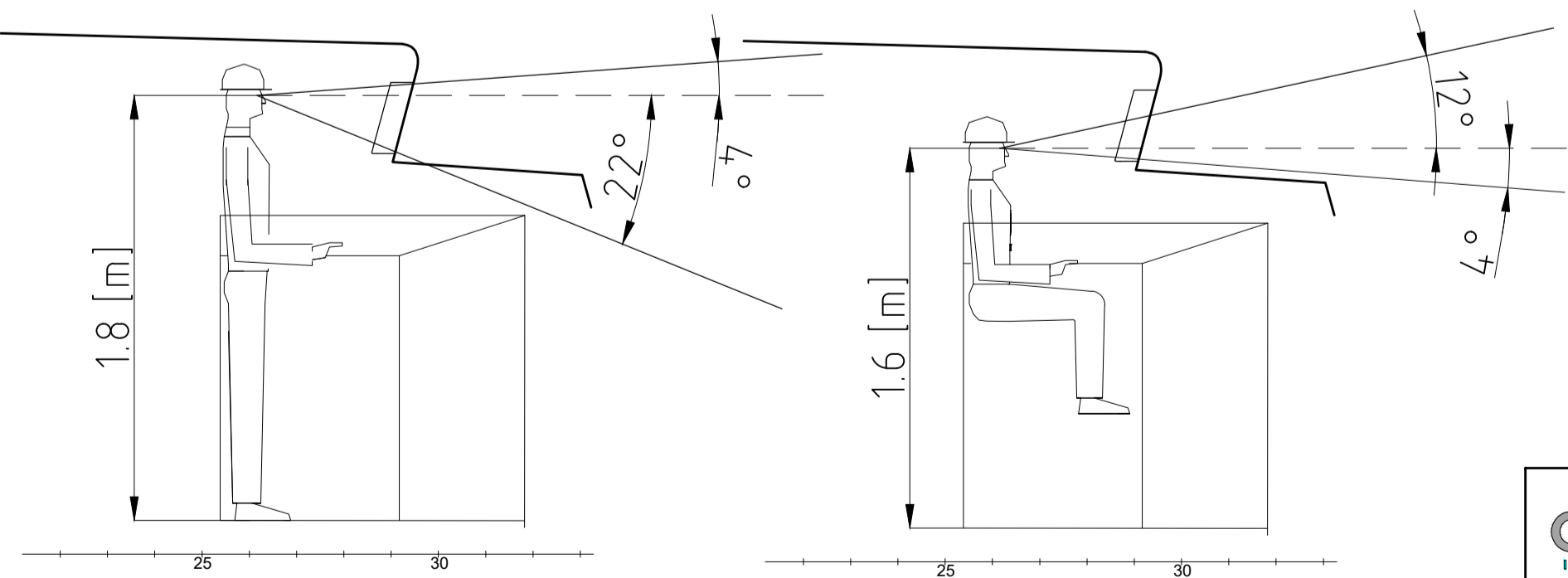
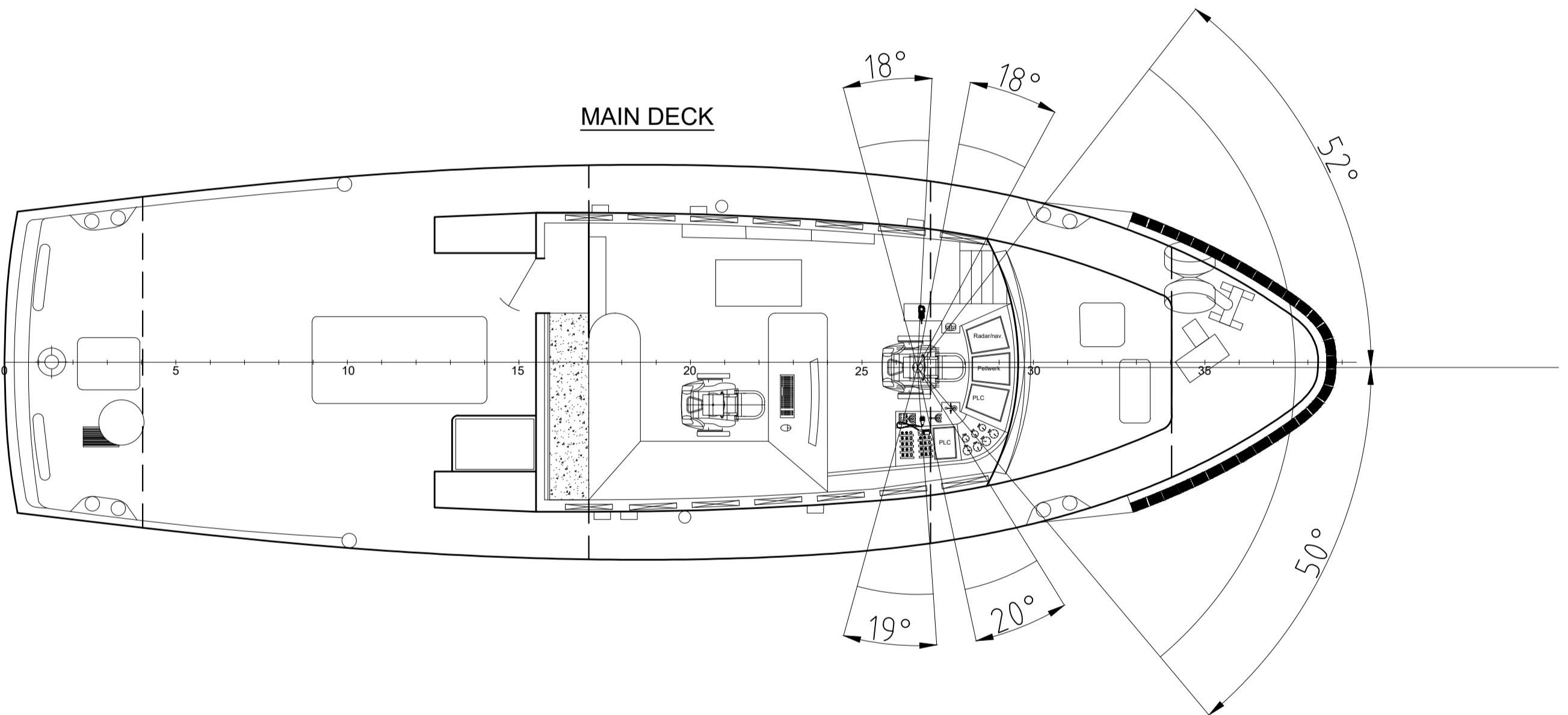



PROFILE VIEW



MAIN DECK



SECTION AT C.L.  
1:25

 <p><small>COPYRIGHT CONOSHIP INTERNATIONAL B.V. 2009. All rights reserved. This document or any part thereof may not be made public or disclosed, copied or otherwise reproduced or used in any form or by any means, including, but not limited to, use hereof for the design and manufacturing of identical, similar or derived designs, nor identical, similar or derived documents and specifications, without prior written consent of Conoship International B.V. P.O. Box 6029 - GRONINGEN - THE NETHERLANDS</small></p>				
DRAWING NO.				
<b>A3052-3121</b>				
DESCRIPTION				
<b>Bridge Visibility plan</b>				
SCALE	SIZE:	YARD NO.	VERSION:	SHEET:
1:50	00	A3052	A2	1-1
DRAWN BY:	DATE:	APPROVED BY:	DATE:	
RTH	06-08-2025	JB	11-08-2025	