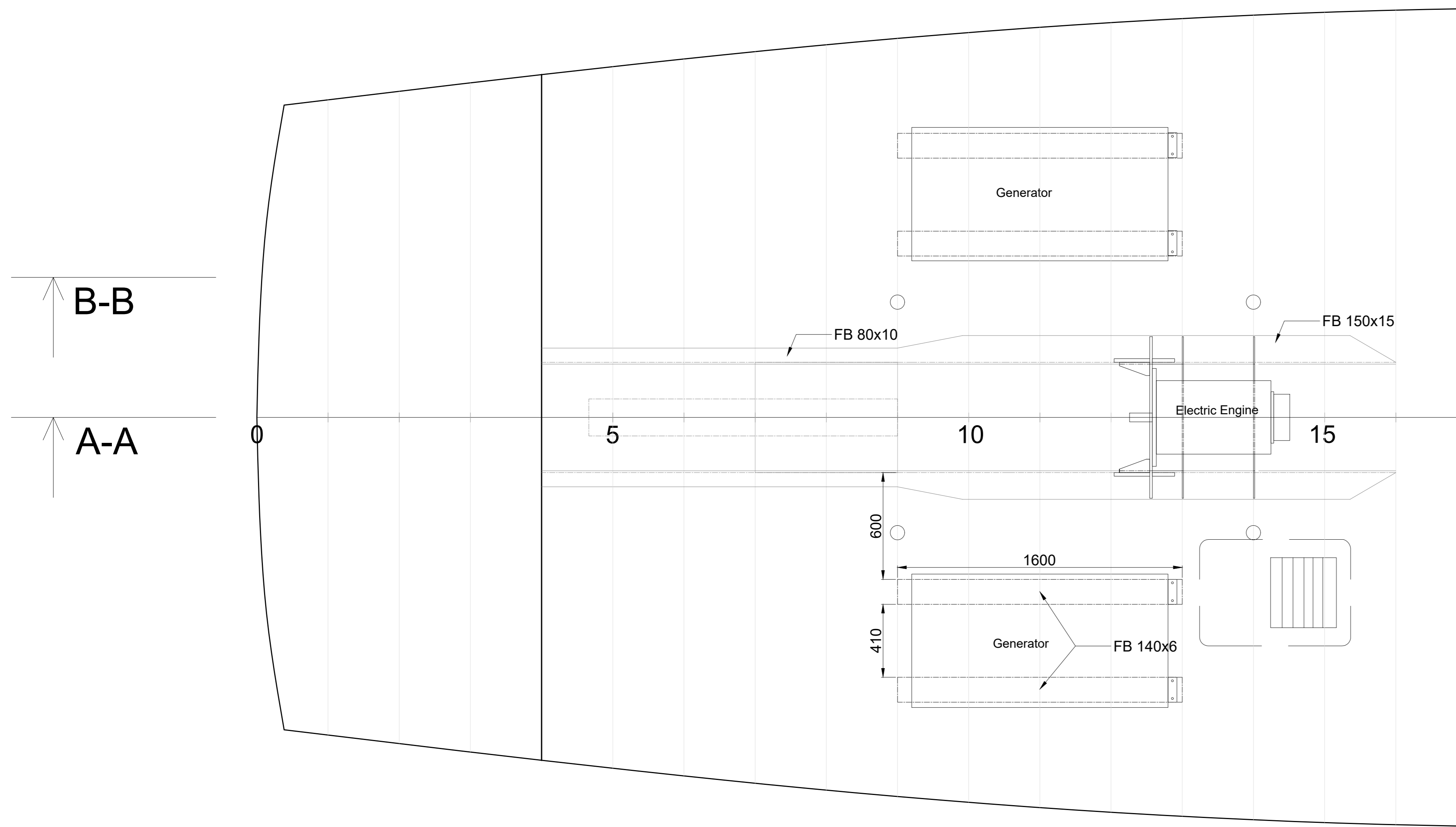
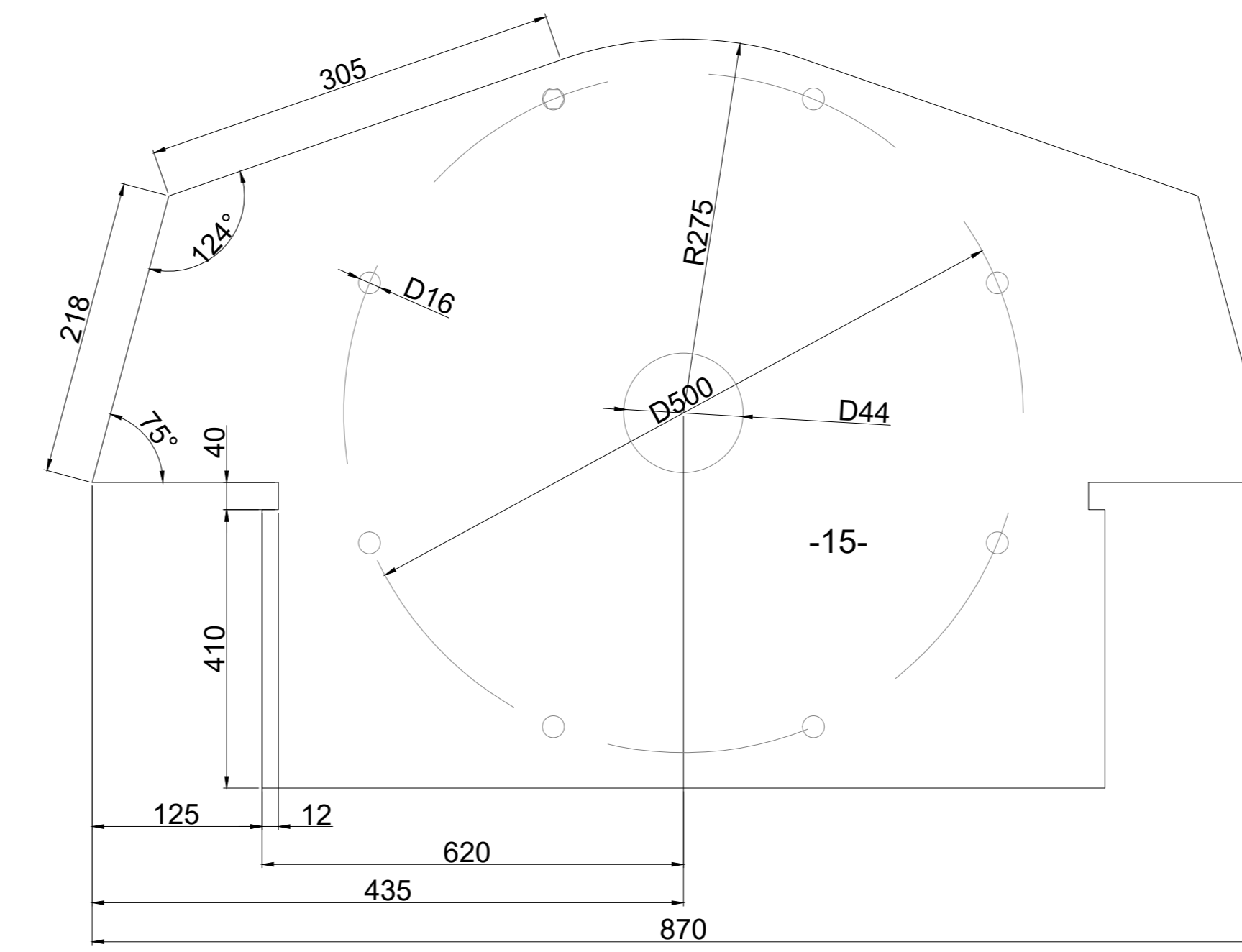


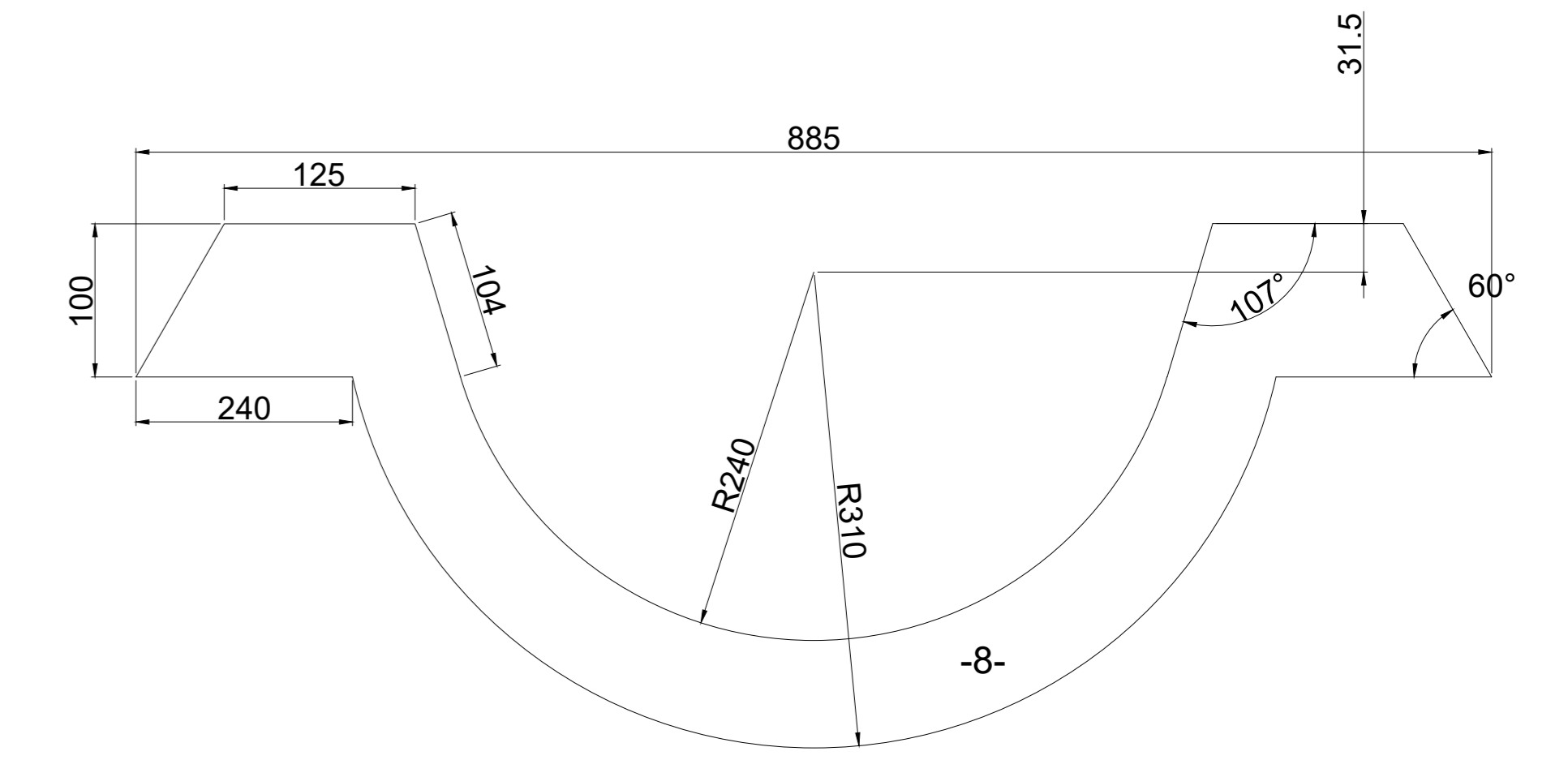
Top view



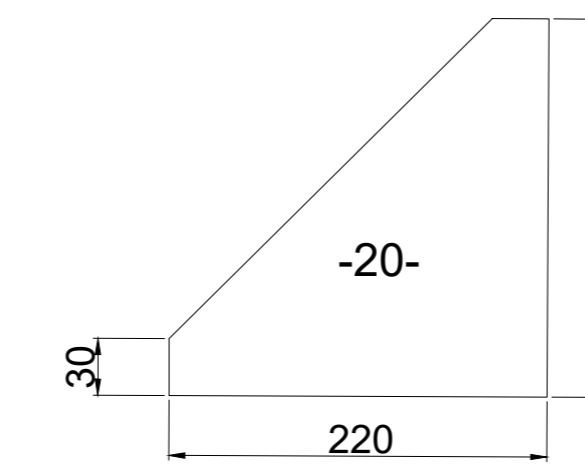
Mounting plate



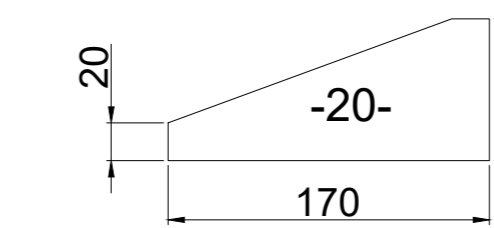
Supporting plate



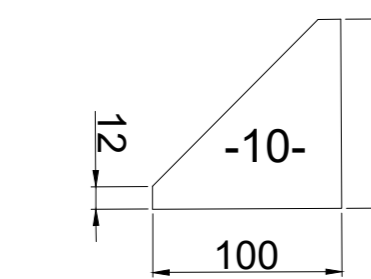
Bracket A



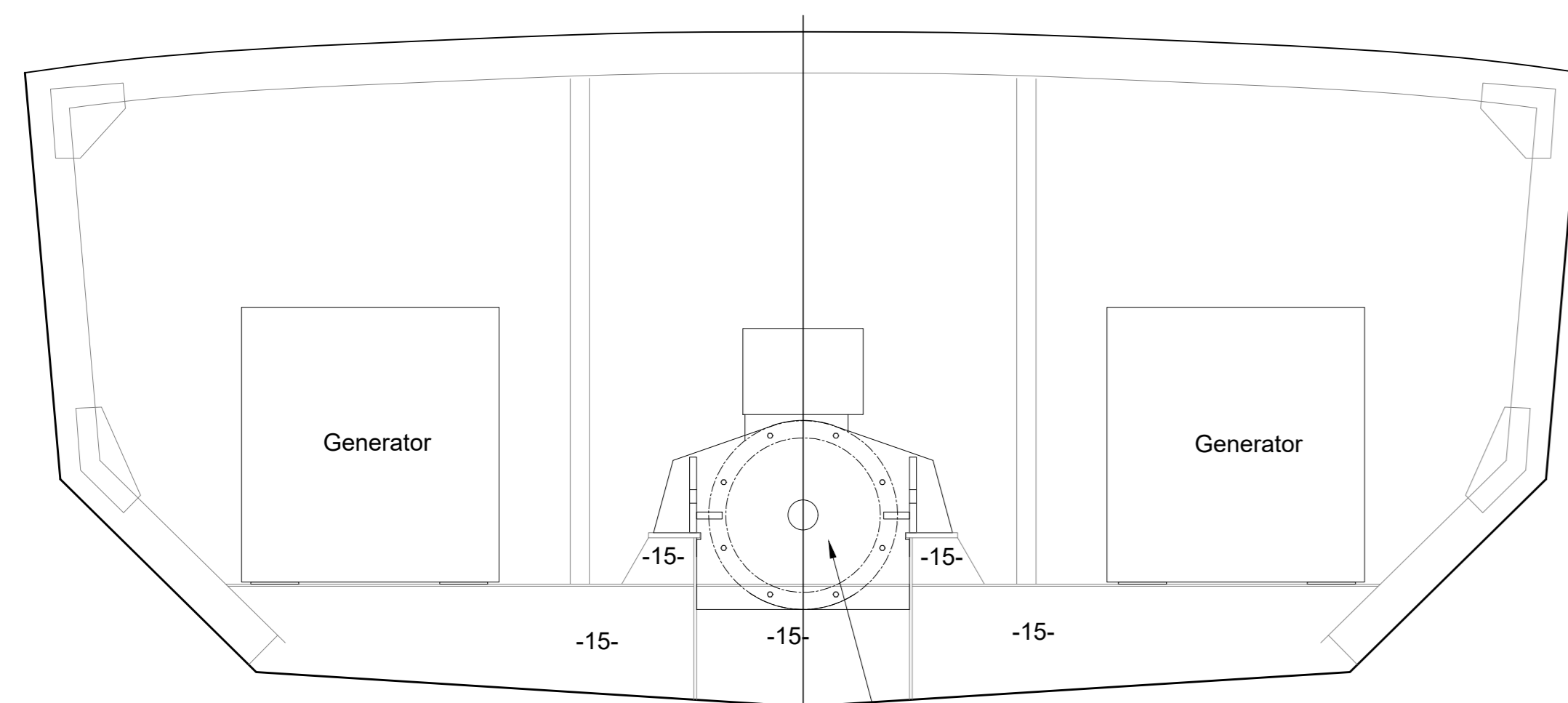
Bracket B



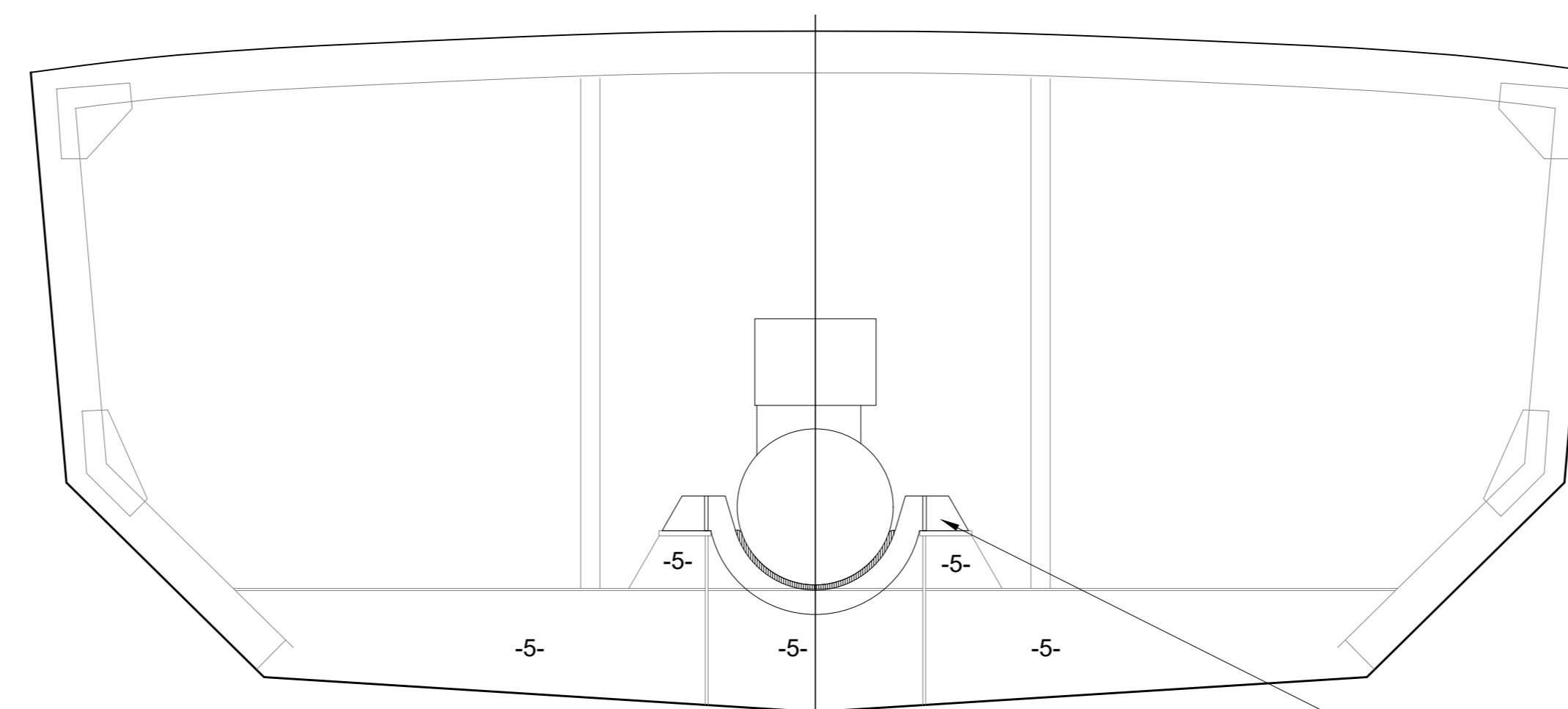
Bracket C



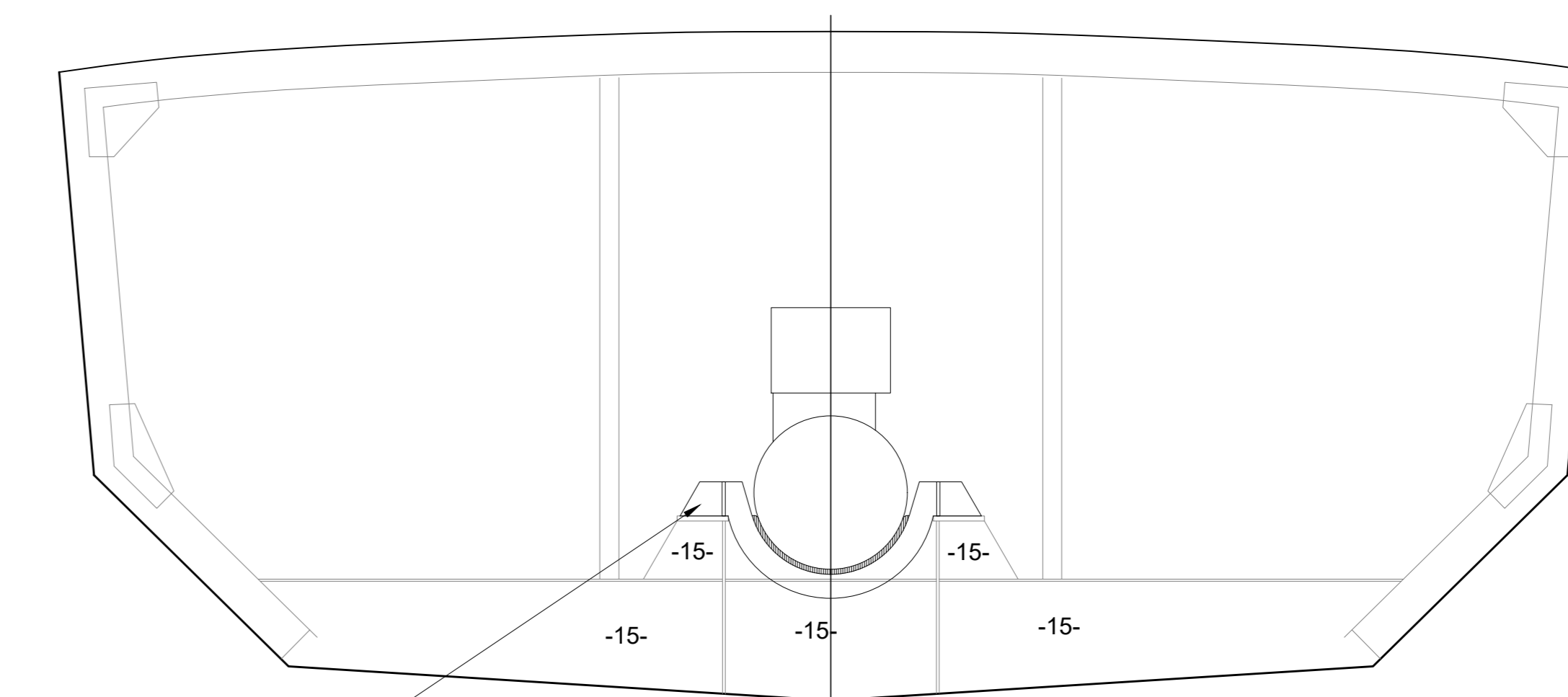
Frame 12 +150



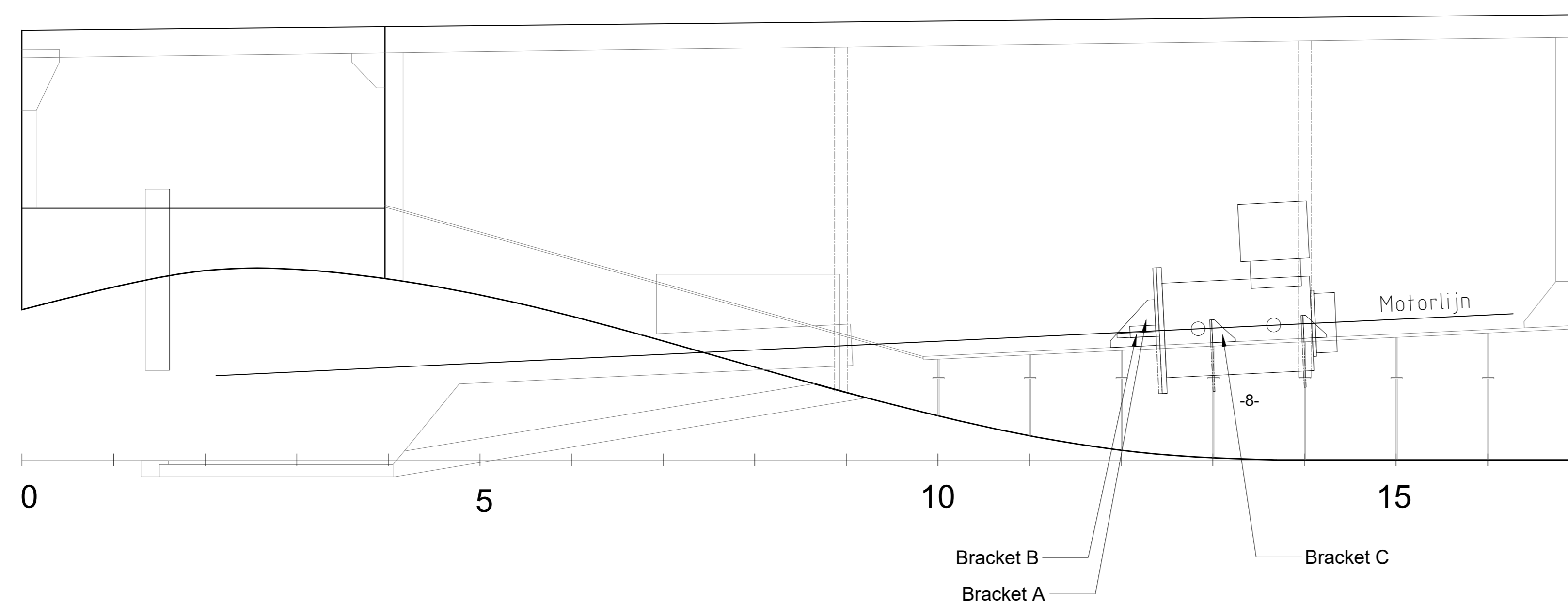
Frame 13



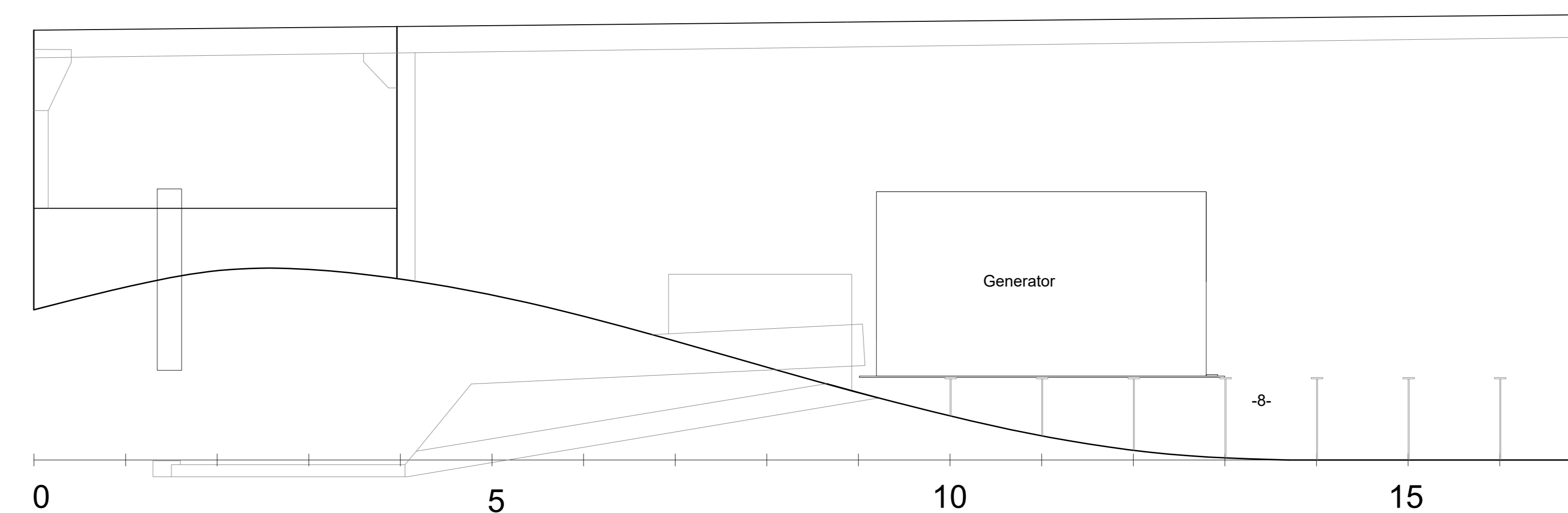
Frame 14



View A-A



View B-B



Notes

- Drawing based on Permanent Magnet Synchronous Motor as Proposed by Greenboat Solutions.
- W-SQ Pro 27 generator used as back-up/homecoming generator
- Final choice of main engine and generator are pending

Havenschap 2

Main Particulars

Length o.a. (Loa)= 15,5 m
 Breath o.a. (B)= 4,67
 Depth (D)= 1,85 m
 Draft (T)= 1 m
 Vs = 5,4 kn
 Vmax = 8,6 kn

REV	DATE	MADE BY	APPROVED BY	DESCRIPTION
<small>COPYRIGHT CONOSHIP INTERNATIONAL B.V. 2009. All rights reserved. This document or any part thereof may not be made public or disclosed, copied or otherwise reproduced or used in any form or by any means, identical, similar or derived designs, nor identical, similar or derived documents and specifications, without prior written consent of Conoship International B.V. P.O. Box 8029 - GRONINGEN - THE NETHERLANDS</small>				
DRAWING NO. A3052-2071				
DESCRIPTION Foundation propulsion electro motor				
SCALE	SIZE	YARD NO.	VERSION	SHEET:
1:16	A0	A3052	xx	1-1
DRAWN BY:	DATE:	APPROVED BY:	DATE:	
PV	11-07-2023	RTH		