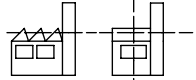


American Projection



Scale : 1:50 A4

Units : mm

Date : 20 mrt 2014

Drawn : Ruben Kastelein

Project: Haaglanden

Filename: SH-HV-Shelter Configurations

Material :
 Mass : grams
 Thickness :
 Finish :

Remarks :

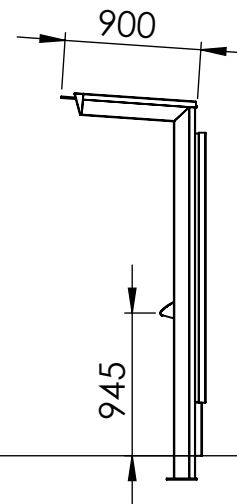
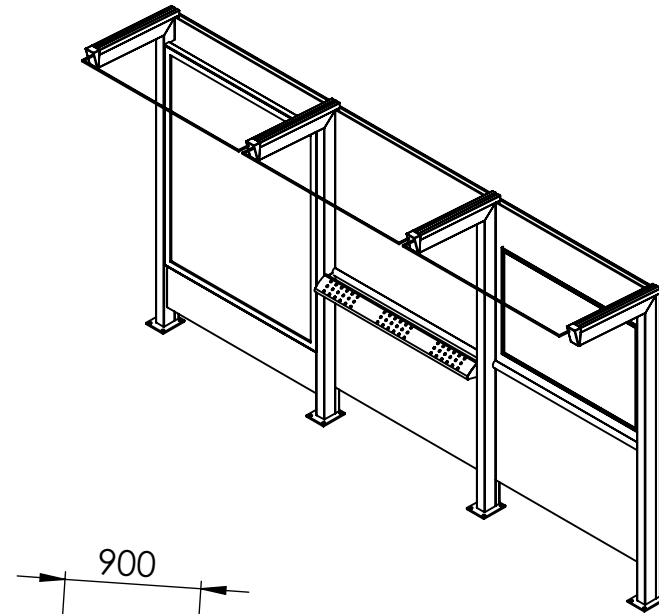
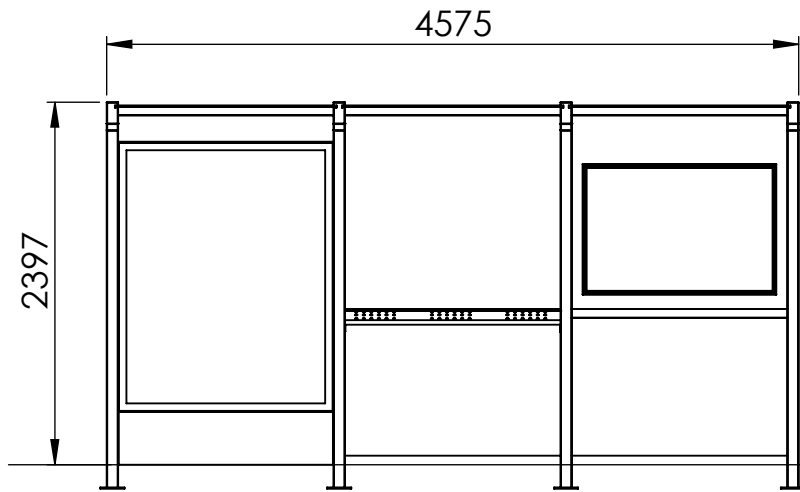
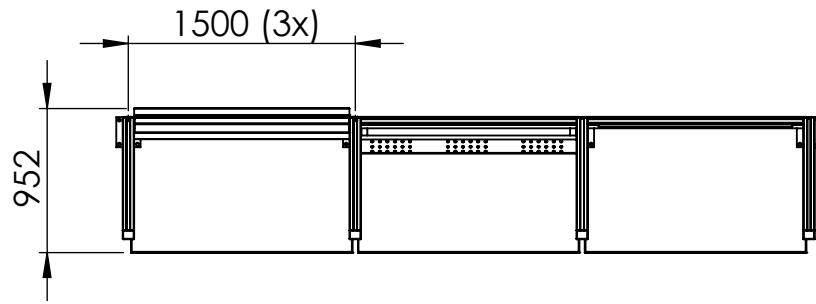
FABRIQUE
 Public Design

Tel +31 15 2127758
 info@fabrique3d.nl

Drawing Name :
 SH-HV-Shelter Configurations

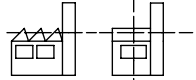
Part-Assem number :

Sheet number :
 1 of 12



Maaiveld

American Projection



Scale : 1:50 A4

Units : mm

Date : 20 mrt 2014

Drawn : Ruben Kastelein

Project: Haaglanden

Filename: SH-HV-Shelter Configurations

Material :
 Mass : grams
 Thickness :
 Finish :

Remarks :

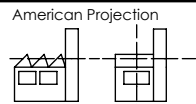
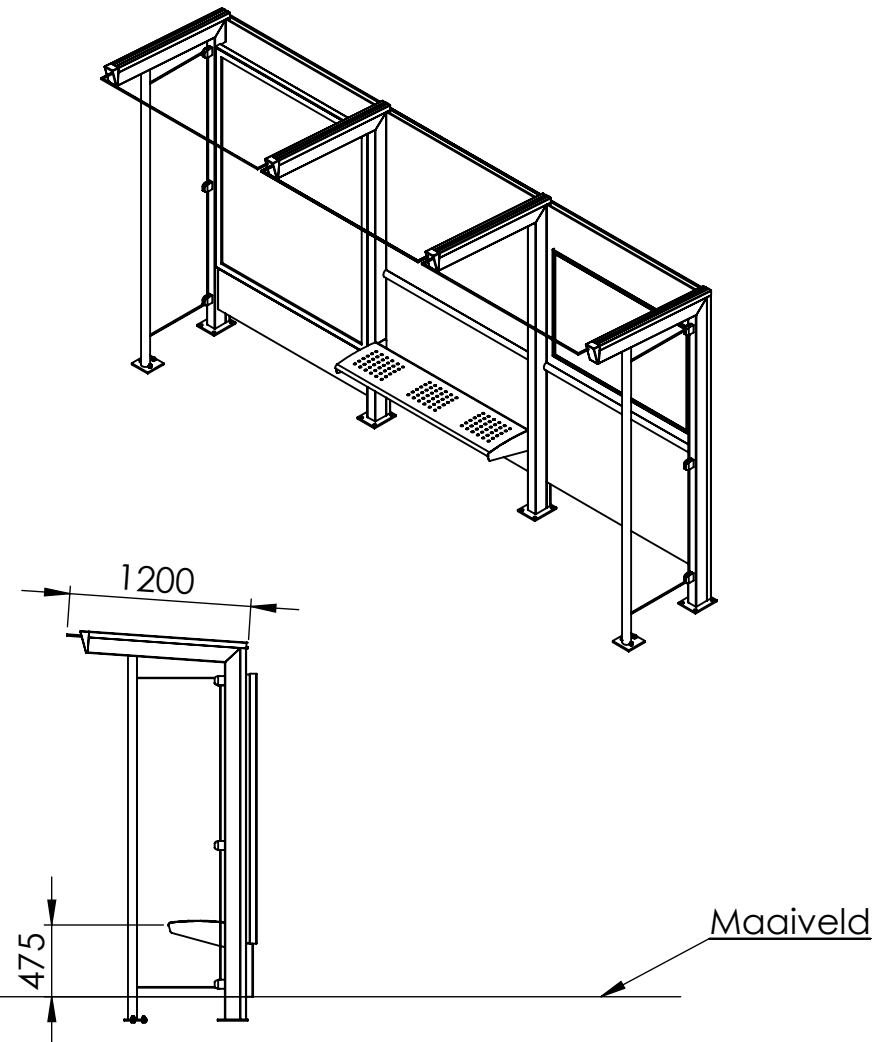
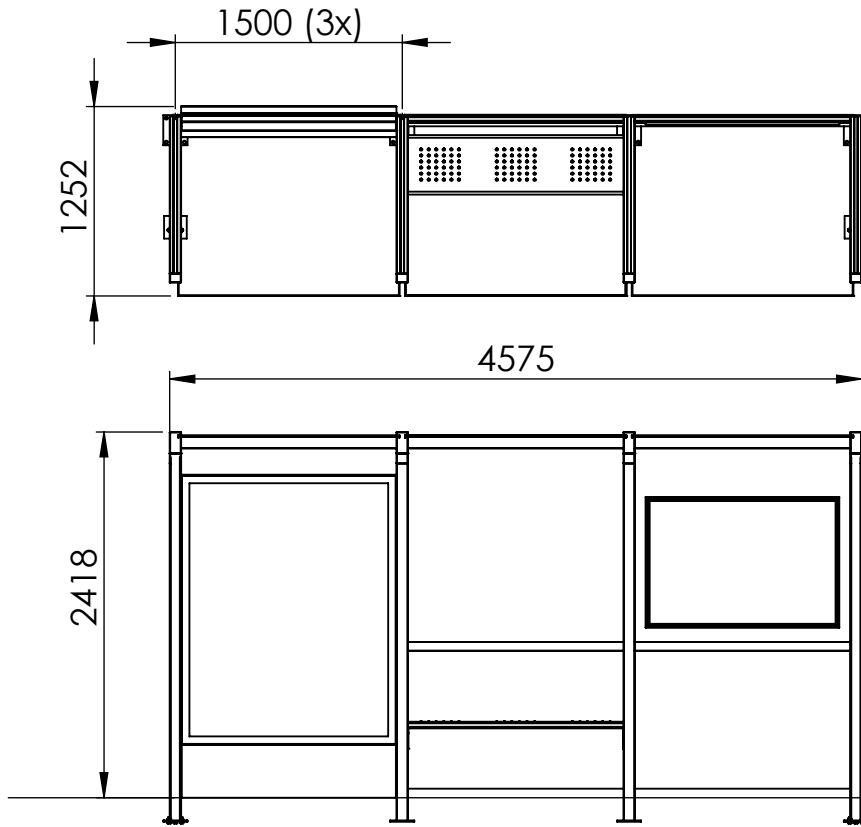
FABRIQUE
 Public Design

Tel +31 15 2127758
 info@fabrique3d.nl

Drawing Name :
 SH-HV-Shelter Configurations

Part-Assem number :

Sheet number :
 2 of 12



Scale : 1:50 A4
 Units : mm
 Date : 20 mrt 2014

Drawn : Ruben Kastelein
 Project: Haaglanden
 Filename: SH-HV-Shelter Configurations

Material :
 Mass : grams
 Thickness :
 Finish :

Remarks :

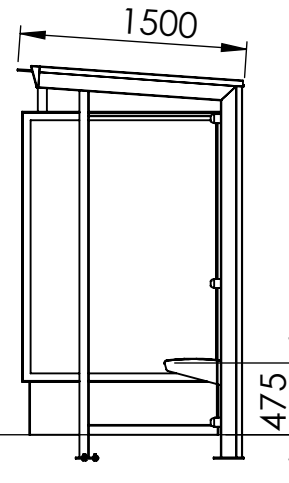
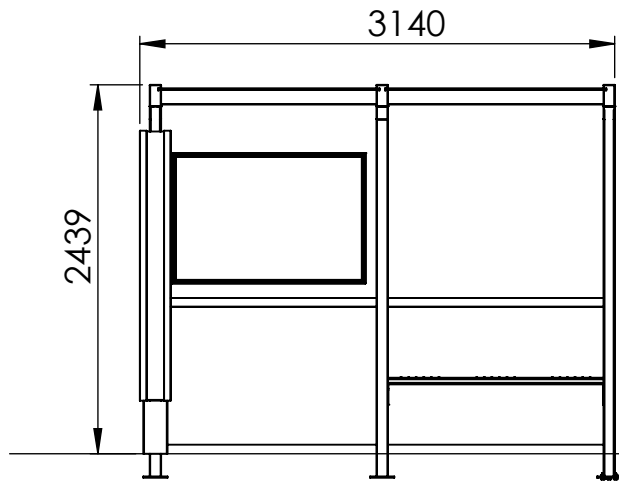
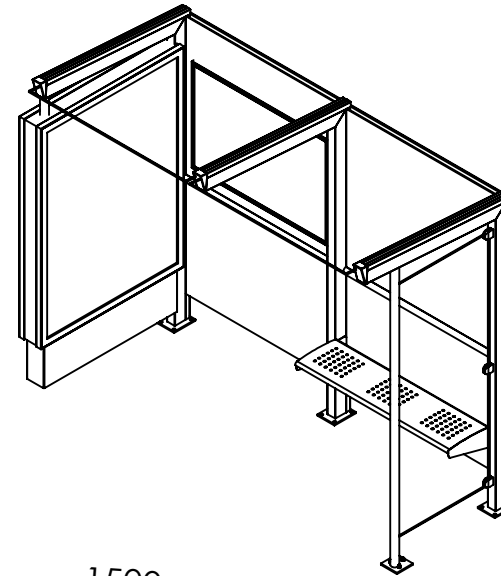
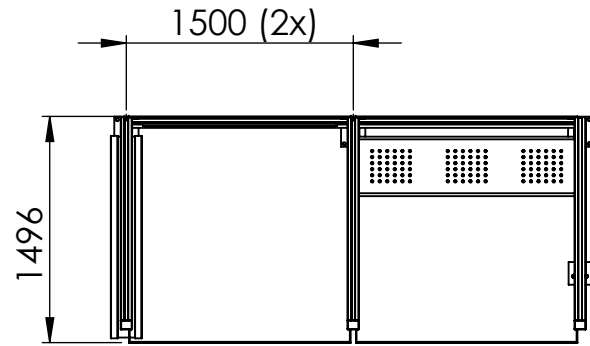
FABRIQUE
 Public Design

Tel +31 15 2127758
 info@fabrique3d.nl

Drawing Name :
 SH-HV-Shelter Configurations

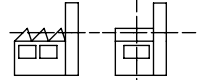
Part-Assem number :

Sheet number :
 3 of 12



Maaiveld

American Projection



Scale : 1:50 A4

Units : mm

Date : 20 mrt 2014

Drawn : Ruben Kastelein

Project: Haaglanden

Filename: SH-HV-Shelter Configurations

Material :
 Mass : grams
 Thickness :
 Finish :

Remarks :

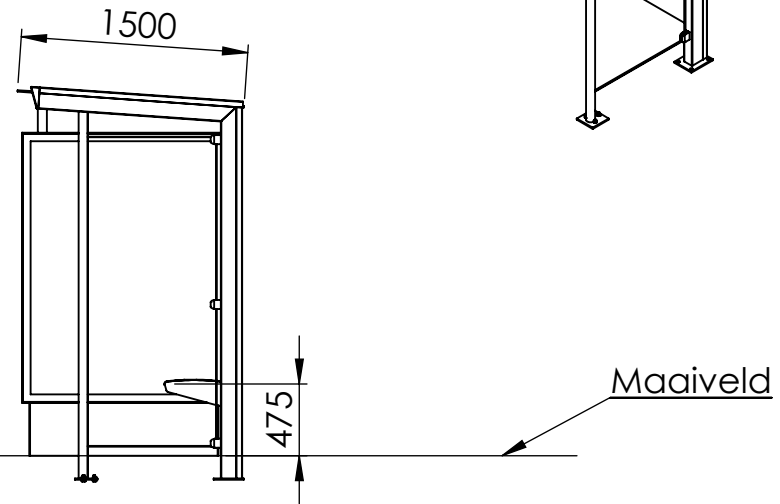
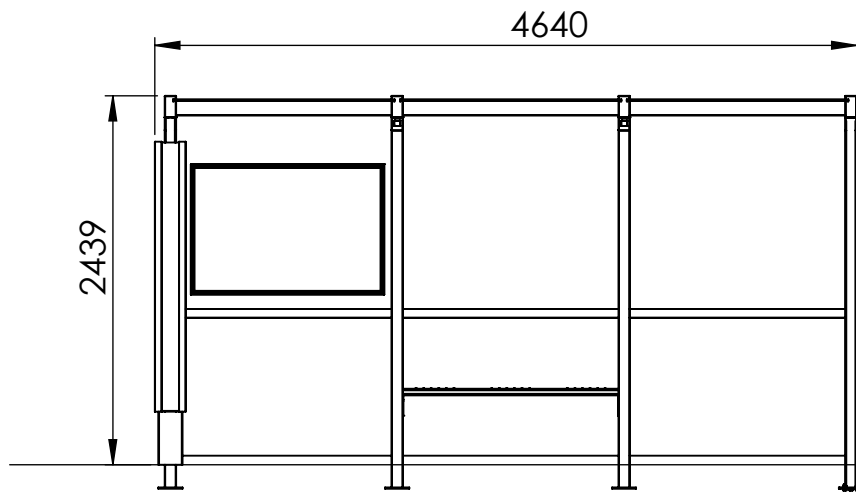
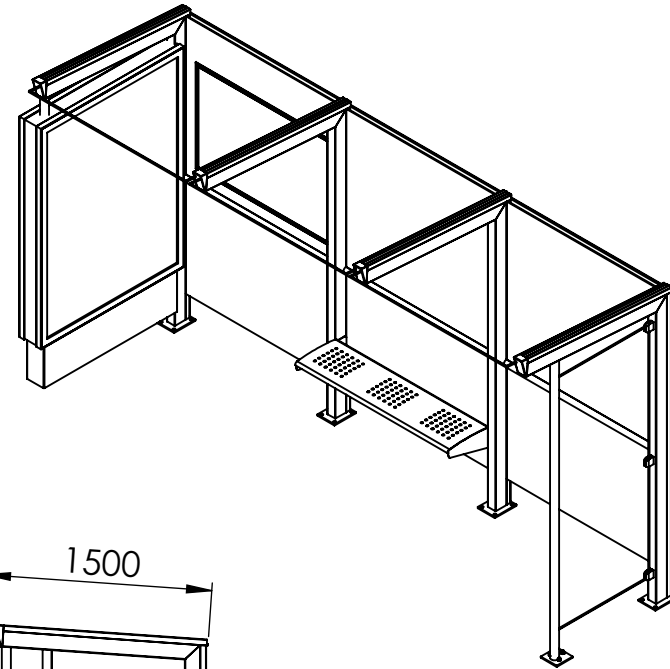
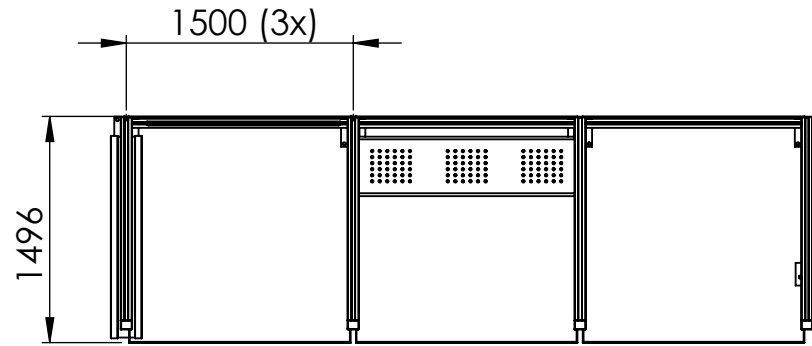
FABRIQUE
 Public Design

Tel +31 15 2127758
 info@fabrique3d.nl

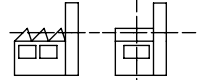
Drawing Name :
 SH-HV-Shelter Configurations

Part-Assem number :

Sheet number :
 4 of 12



American Projection



Scale : 1:50 A4

Units : mm

Date : 20 mrt 2014

Drawn : Ruben Kastelein

Project: Haaglanden

Filename: SH-HV-Shelter Configurations

Material :
 Mass : grams
 Thickness :
 Finish :

Remarks :

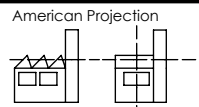
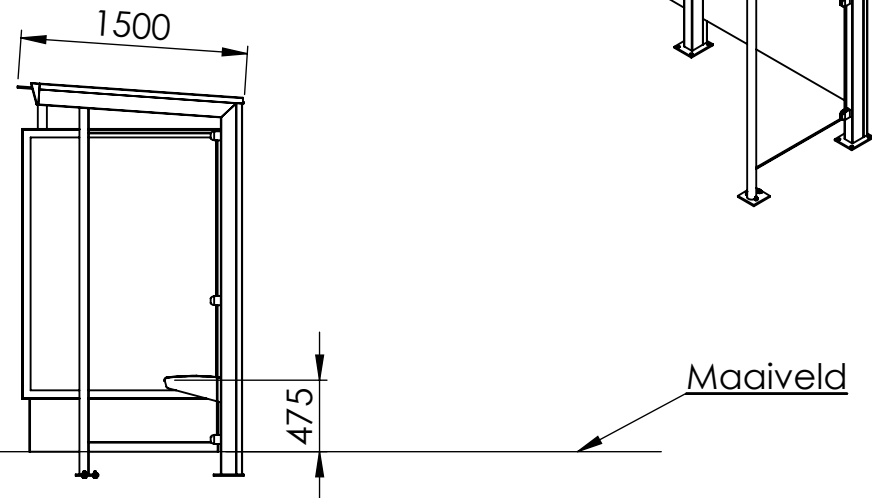
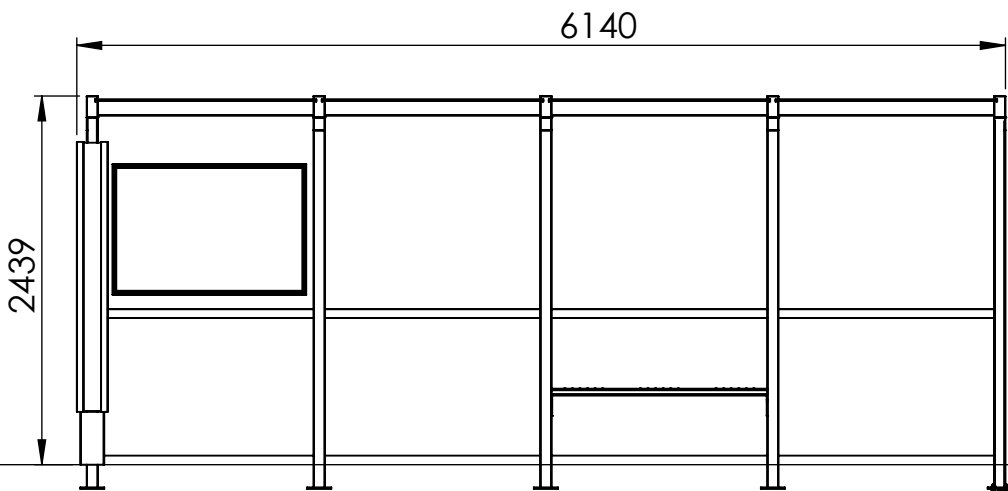
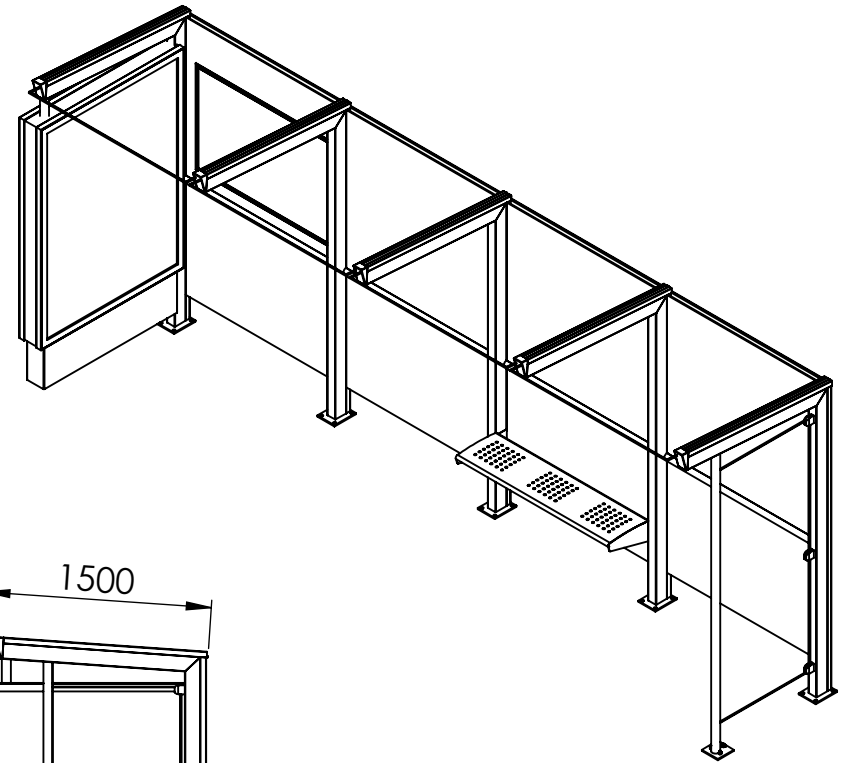
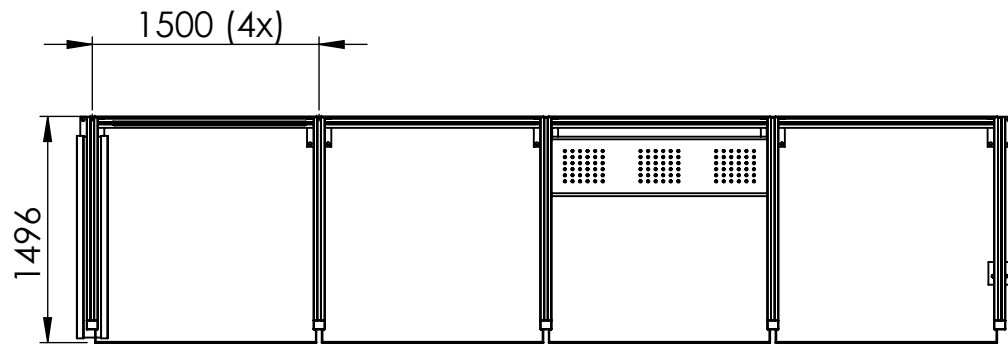
FABRIQUE
 Public Design

Tel +31 15 2127758
 info@fabrique3d.nl

Drawing Name :
 SH-HV-Shelter Configurations

Part-Assem number :

Sheet number :
 5 of 12



Scale : 1:50 A4
 Units : mm
 Date : 20 mrt 2014

Drawn : Ruben Kastelein
 Project: Haaglanden
 Filename: SH-HV-Shelter Configurations

Material :
 Mass : grams
 Thickness :
 Finish :

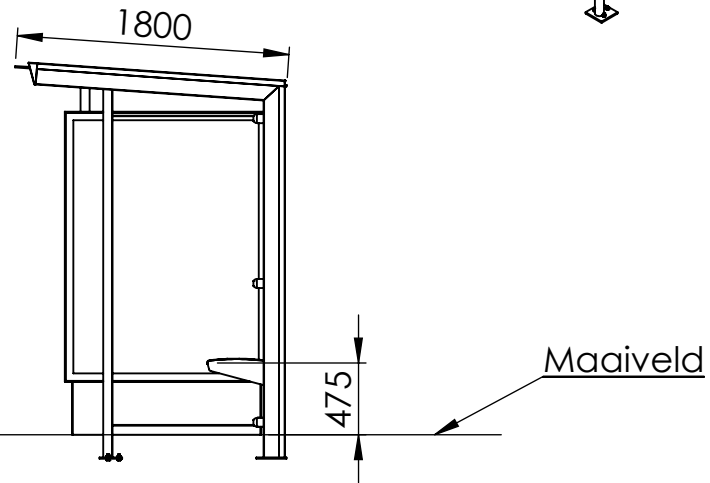
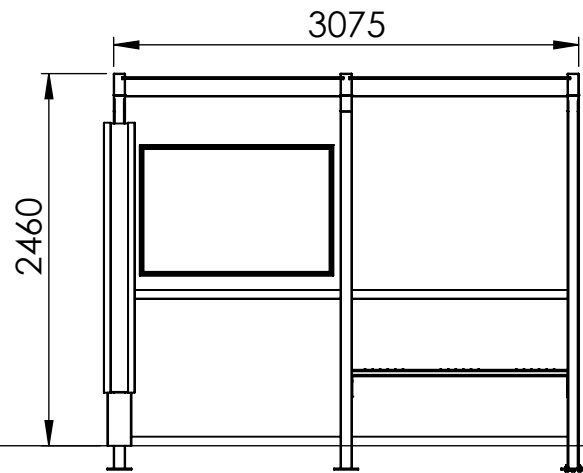
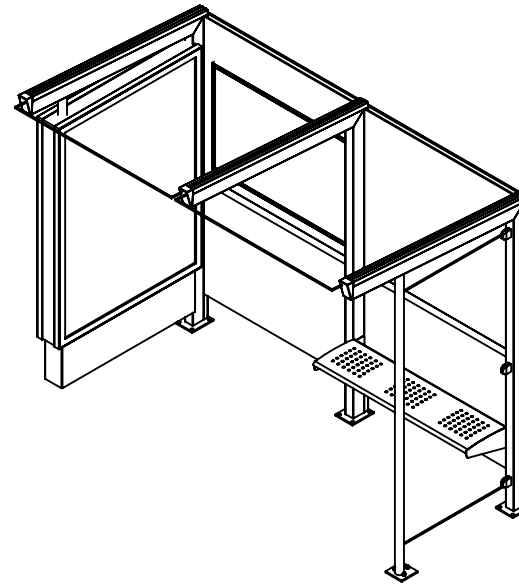
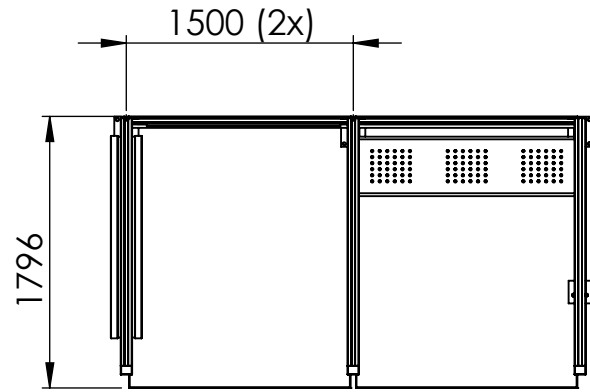
Remarks :

FABRIQUE Public Design
 Tel +31 15 2127758
 info@fabrique3d.nl

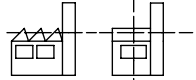
Drawing Name :
SH-HV-Shelter Configurations

Part-Assem number :

Sheet number :
6 of 12



American Projection



Scale : 1:50 A4

Units : mm

Date : 20 mrt 2014

Drawn : Ruben Kastelein

Project: Haaglanden

Filename: SH-HV-Shelter Configurations

Material :
 Mass : grams
 Thickness :
 Finish :

Remarks :

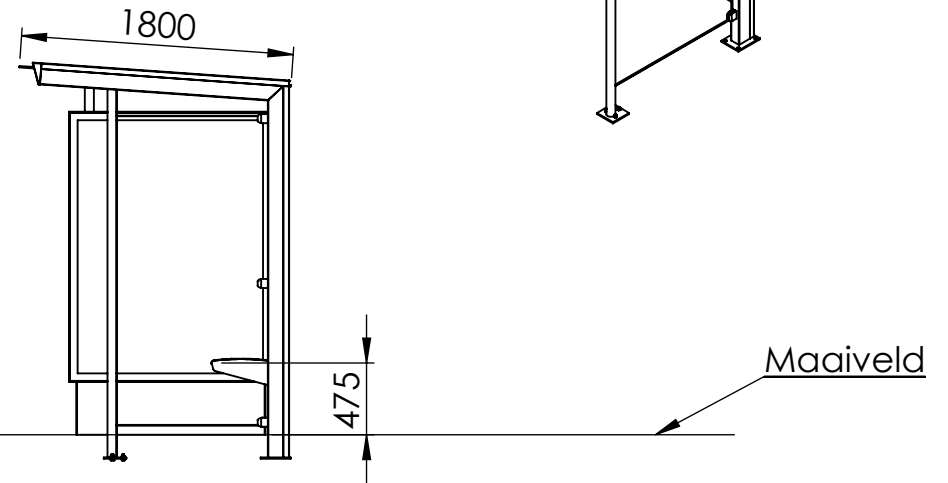
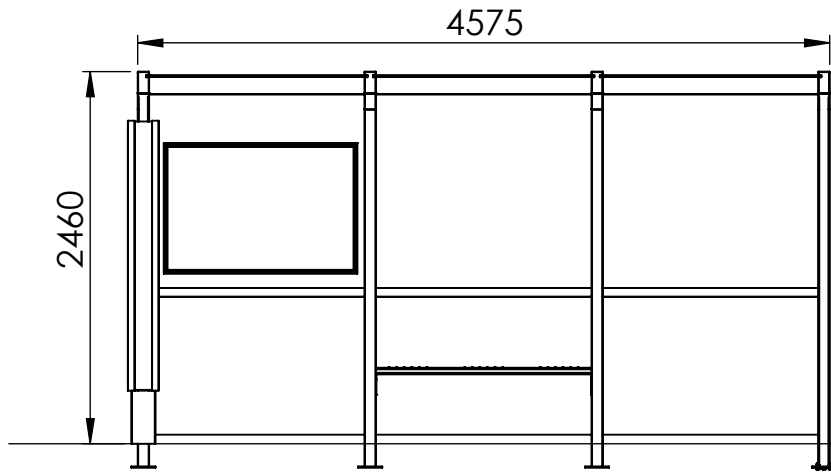
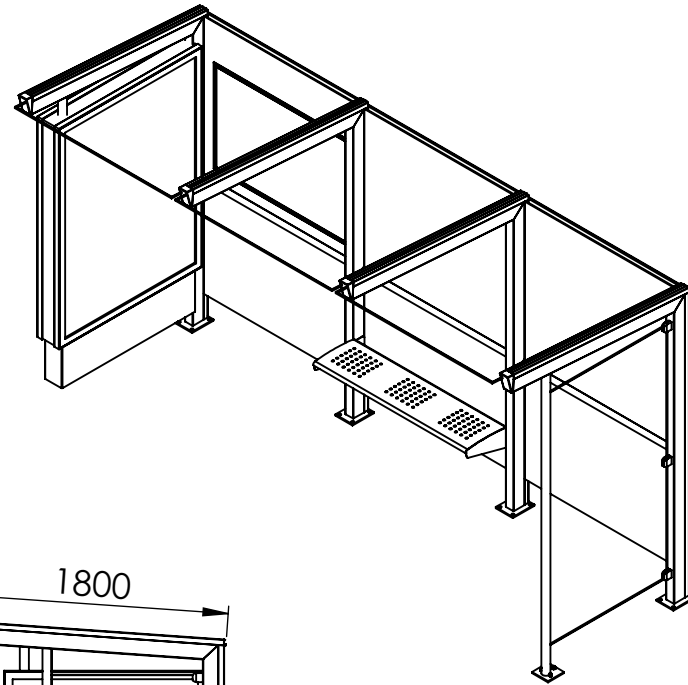
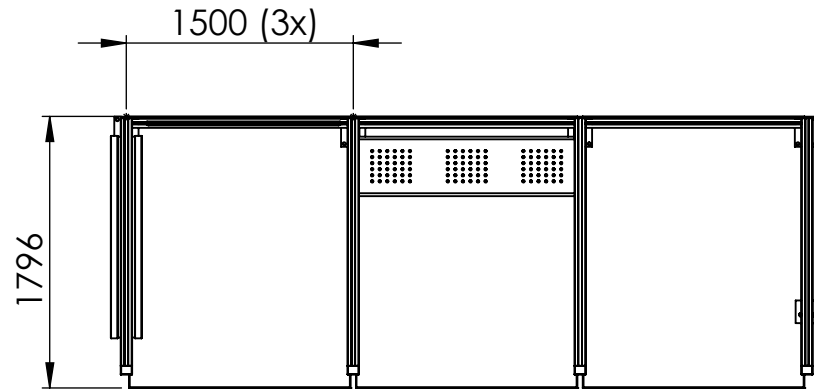
FABRIQUE
 Public Design

Tel +31 15 2127758
 info@fabrique3d.nl

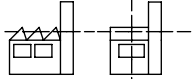
Drawing Name :
 SH-HV-Shelter Configurations

Part-Assem number :

Sheet number :
 7 of 12



American Projection



Scale : 1:50 A4

Units : mm

Date : 20 mrt 2014

Drawn : Ruben Kastelein

Project: Haaglanden

Filename: SH-HV-Shelter Configurations

Material :
 Mass : grams
 Thickness :
 Finish :

Remarks :

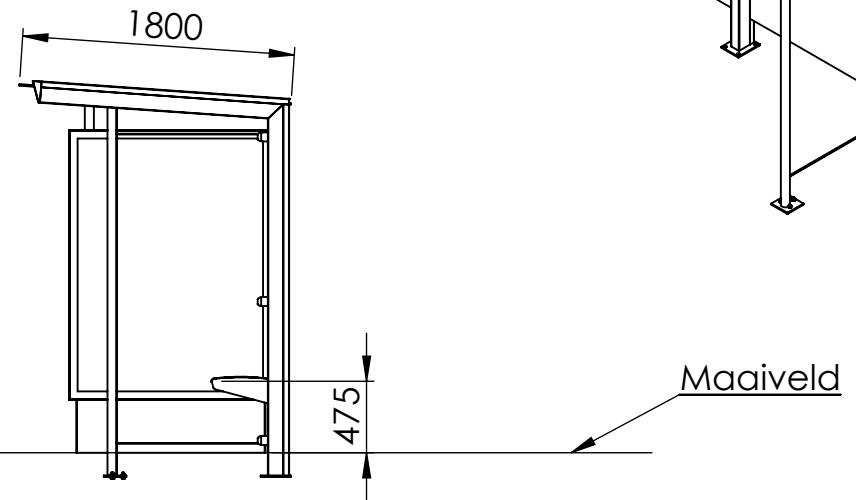
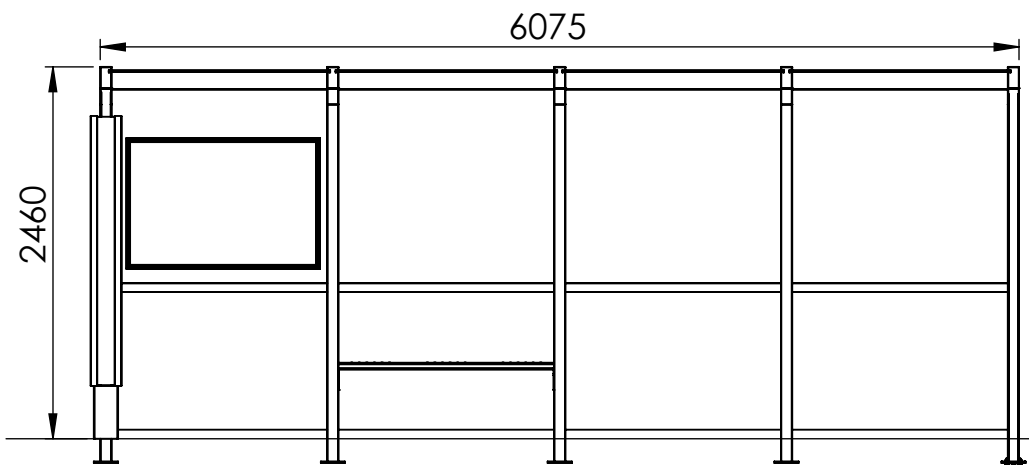
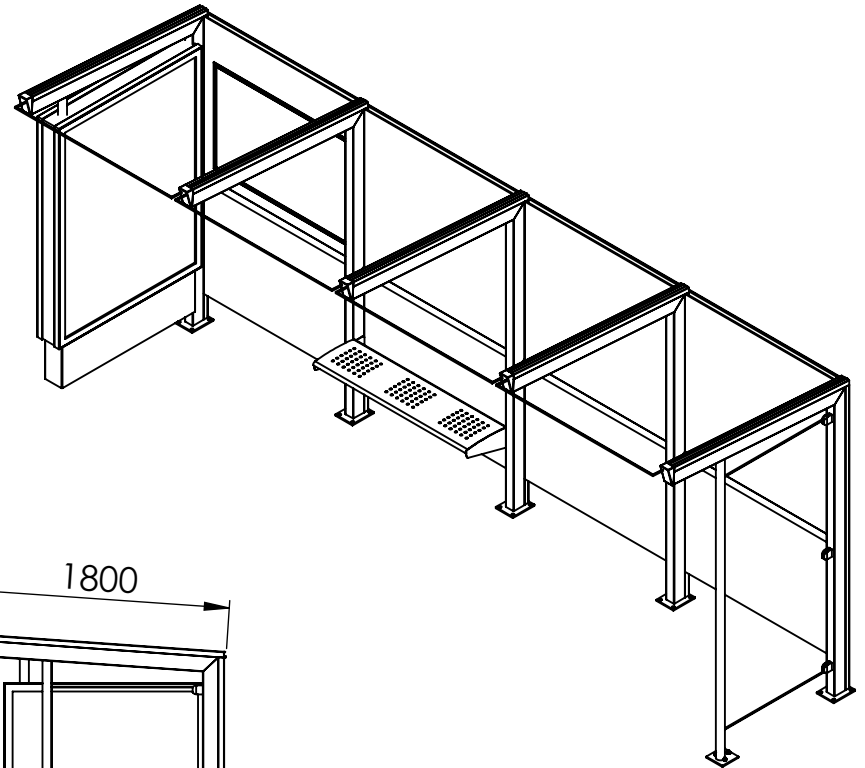
FABRIQUE
 Public Design

Tel +31 15 2127758
 info@fabrique3d.nl

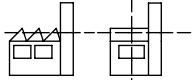
Drawing Name :
 SH-HV-Shelter Configurations

Part-Assem number :

Sheet number :
 8 of 12



American Projection



Scale : 1:50 A4

Units : mm

Date : 20 mrt 2014

Drawn : Ruben Kastelein

Project: Haaglanden

Filename: SH-HV-Shelter Configurations

Material :
 Mass : grams
 Thickness :
 Finish :

Remarks :

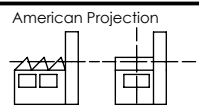
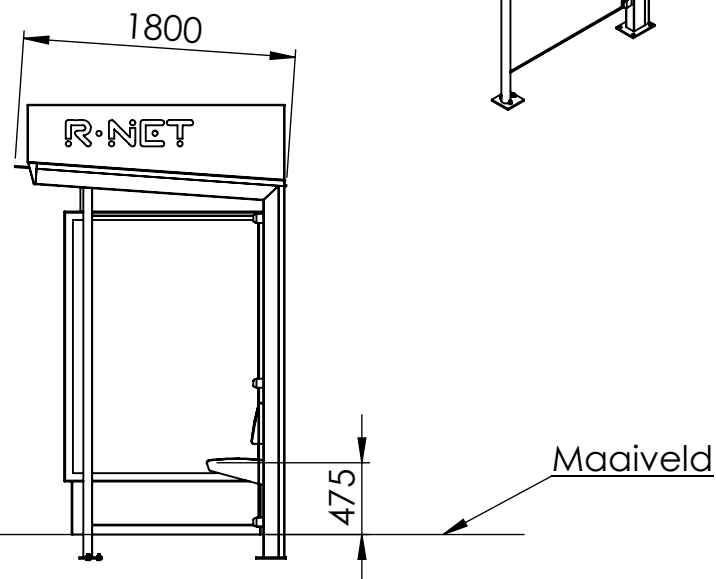
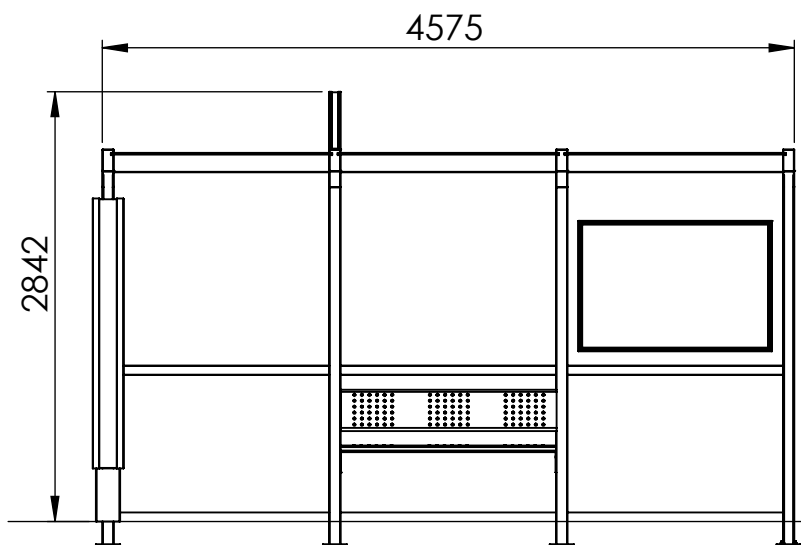
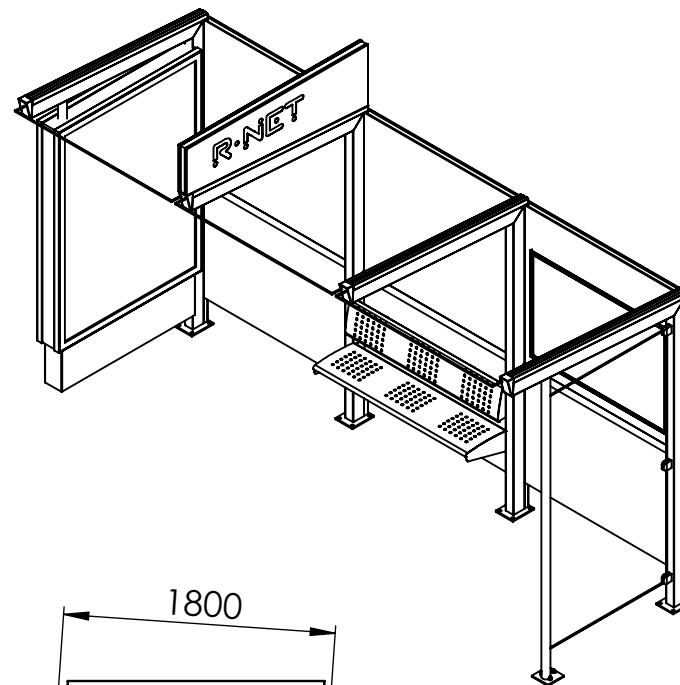
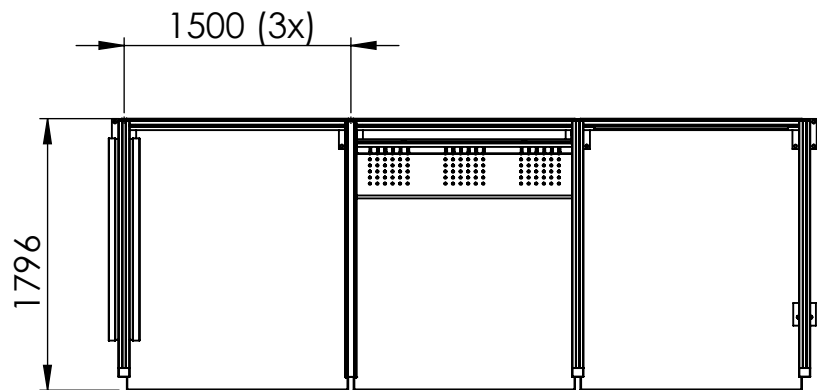
FABRIQUE
 Public Design

Tel +31 15 2127758
 info@fabrique3d.nl

Drawing Name :
 SH-HV-Shelter Configurations

Part-Assem number :

Sheet number :
 9 of 12



Scale : 1:50 A4
 Units : mm
 Date : 20 mrt 2014

Drawn : Ruben Kastelein
 Project: Haaglanden
 Filename: SH-HV-Shelter Configurations

Material :
 Mass : grams
 Thickness :
 Finish :

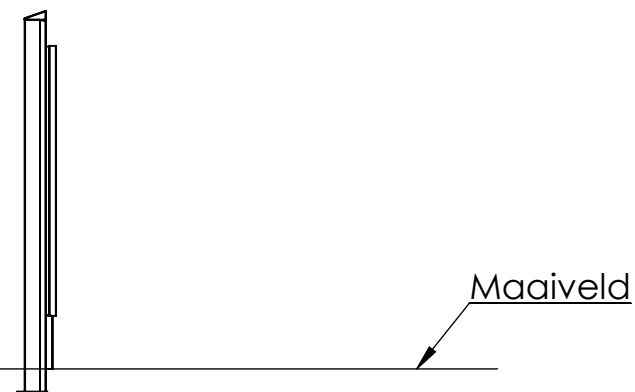
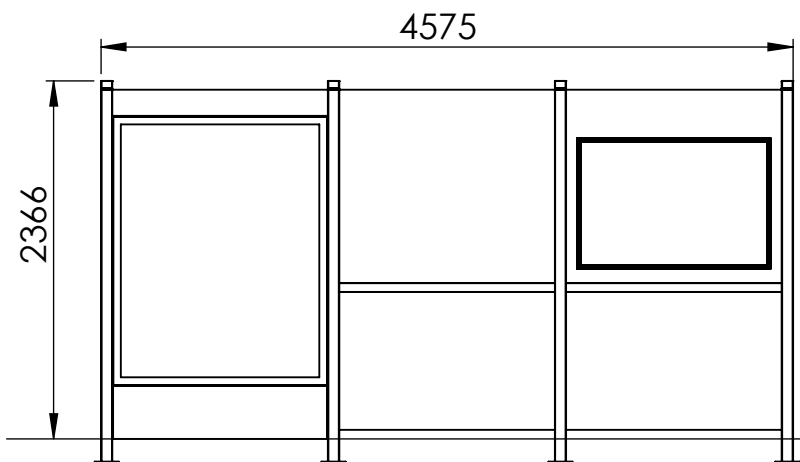
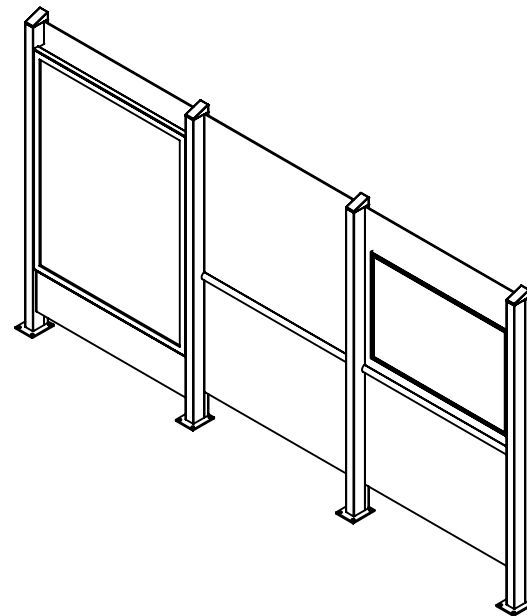
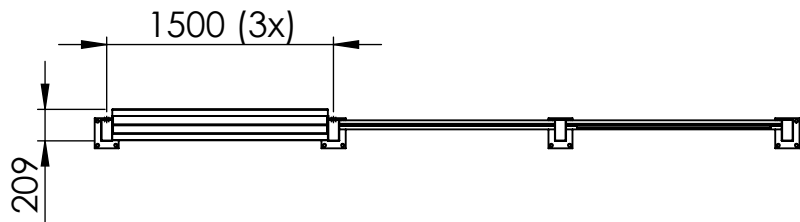
Remarks :

FABRIQUE Public Design
 Tel +31 15 2127758
 info@fabrique3d.nl

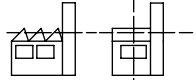
Drawing Name :
SH-HV-Shelter Configurations

Part-Assem number :

Sheet number :
10 of 12



American Projection



Scale : 1:50 A4

Units : mm

Date : 20 mrt 2014

Drawn : Ruben Kastelein

Project: Haaglanden

Filename: SH-HV-Shelter Configurations

Material :
 Mass : grams
 Thickness :
 Finish :

Remarks :

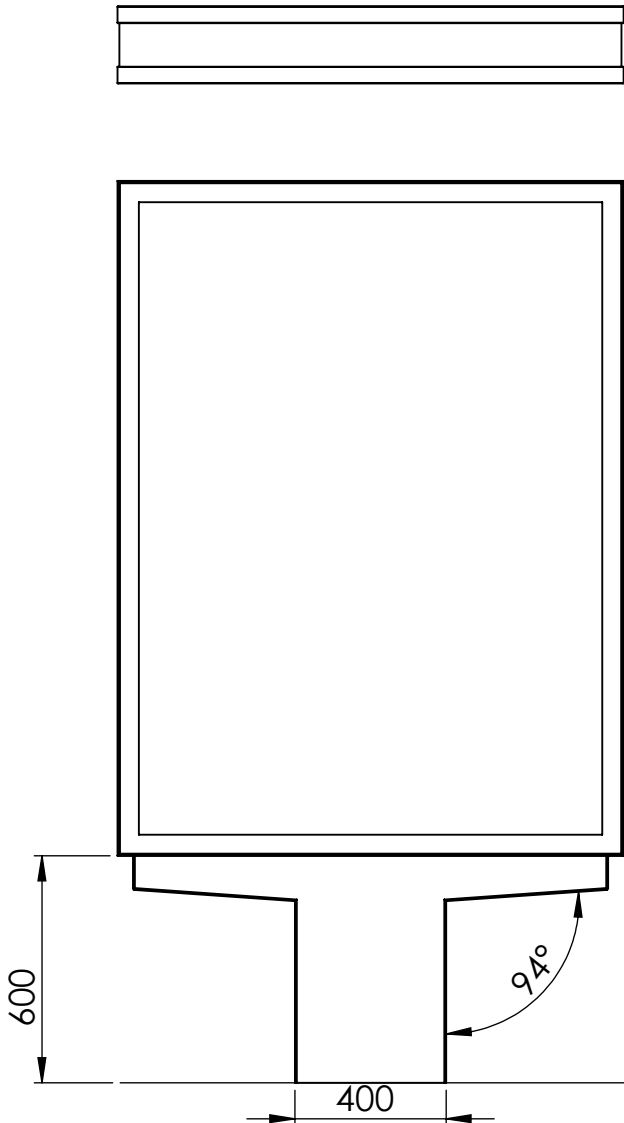
FABRIQUE
 Public Design

Tel +31 15 2127758
 info@fabrique3d.nl

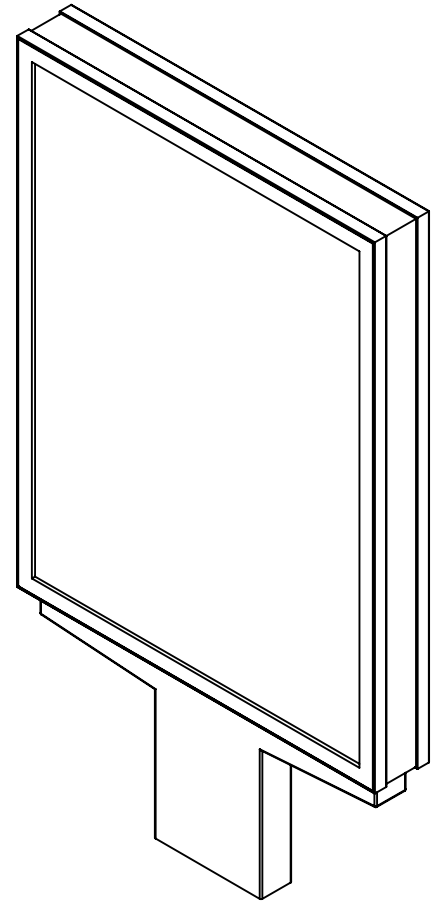
Drawing Name :
 SH-HV-Windscherm

Part-Assem number :

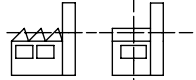
Sheet number :
 11 of 12



Maaiveld



American Projection



Scale : 1:20 A4

Units : mm

Date : 20 mrt 2014

Drawn : Ruben Kastelein

Project: Haaglanden

Filename: SH-HV-Shelter Configurations

Material :
 Mass : grams
 Thickness :
 Finish :

Remarks :

FABRIQUE
 Public Design

Tel +31 15 2127758
 info@fabrique3d.nl

Drawing Name :
 SH-HV-Vrijstaande Reclamevitrine

Part-Assem number :

Sheet number :
 12 of 12