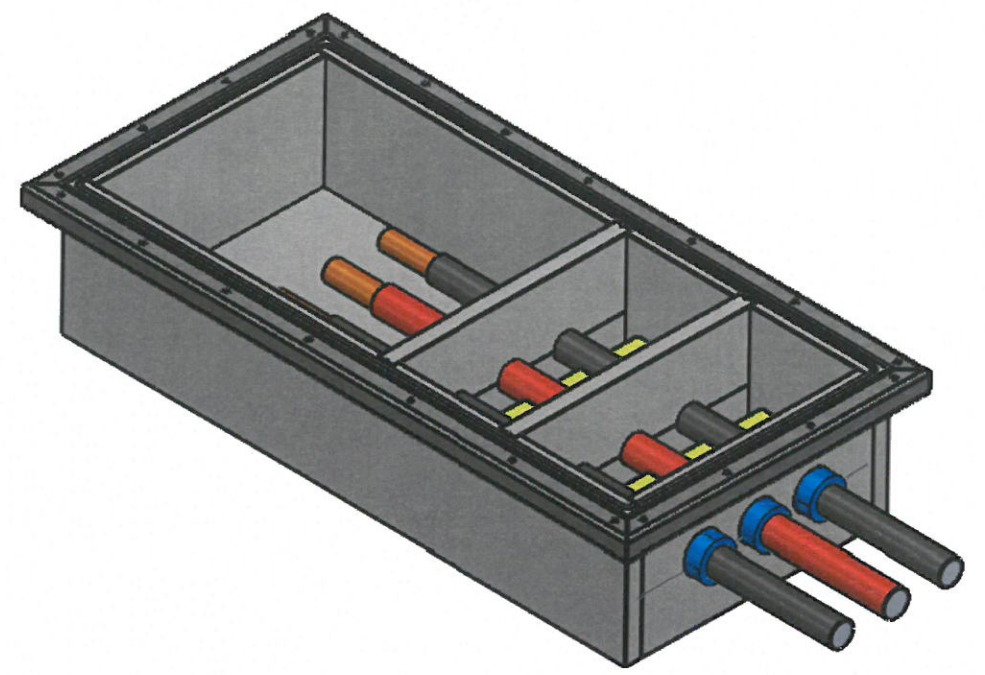
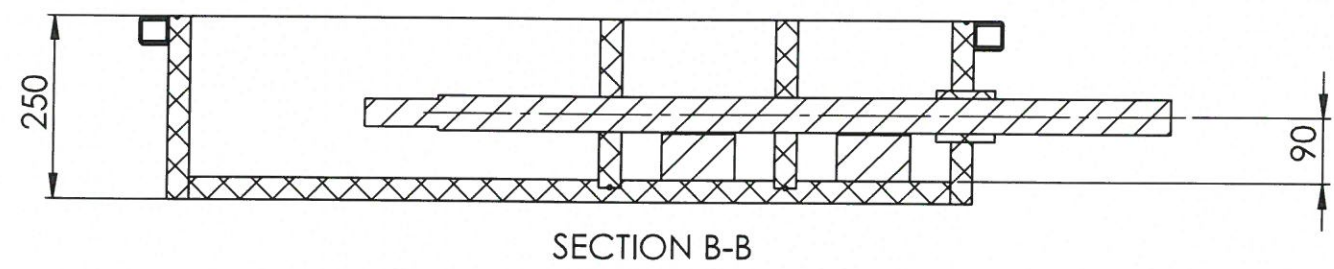
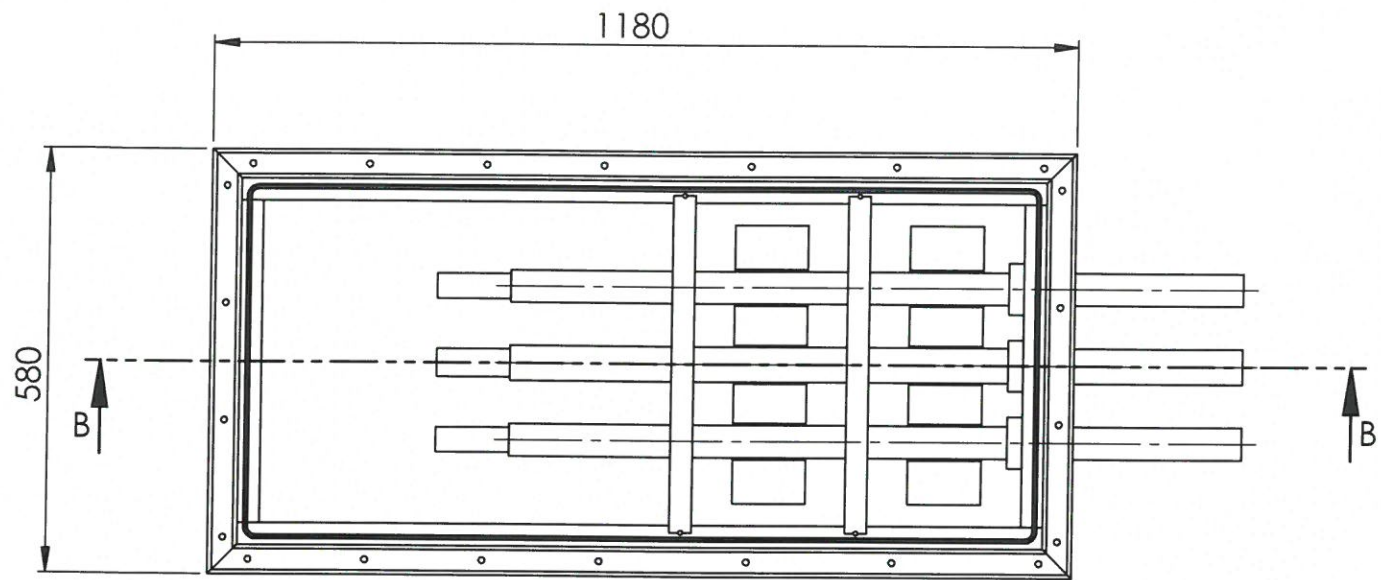
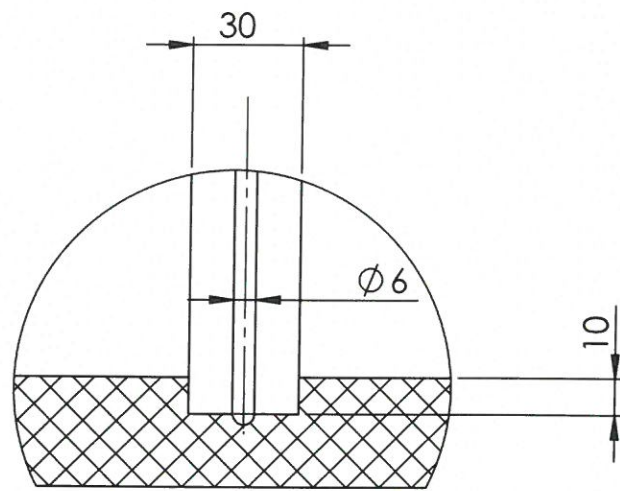
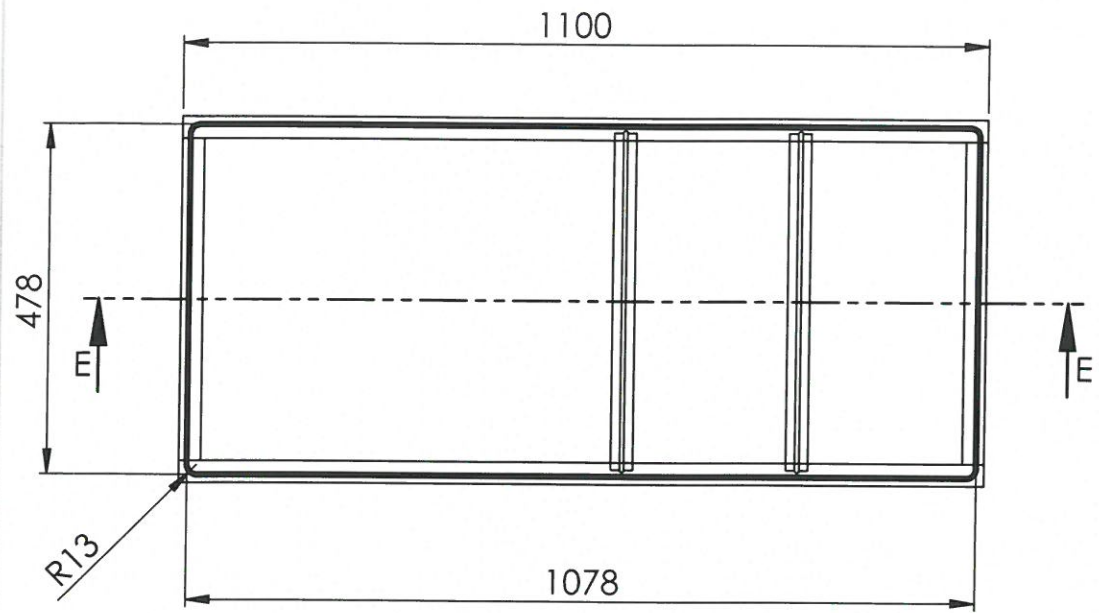
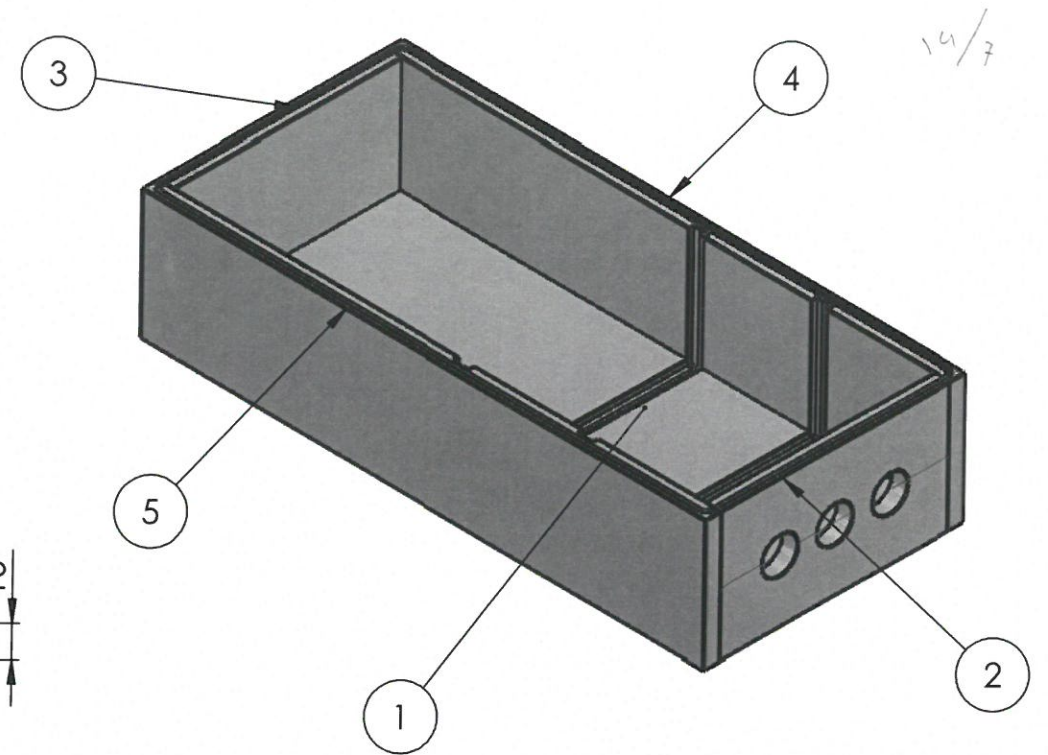


Status of design:
CONCEPT

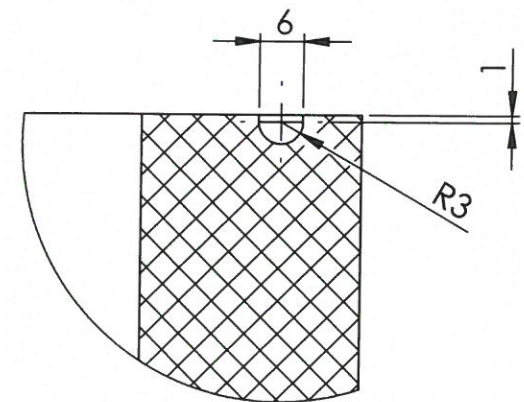
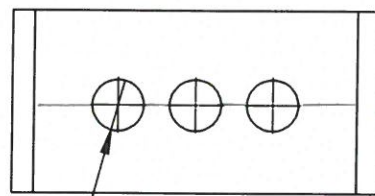
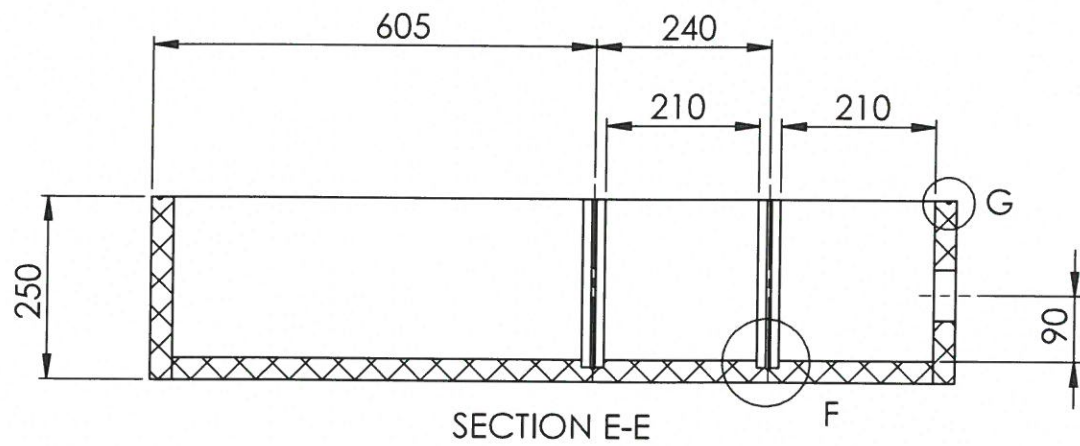




DETAIL F
SCALE 1 : 2

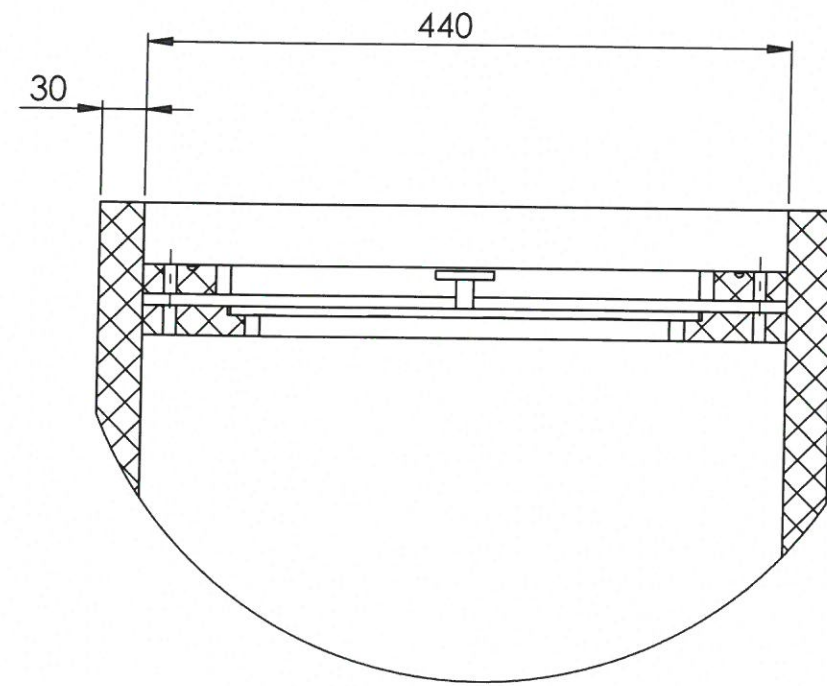
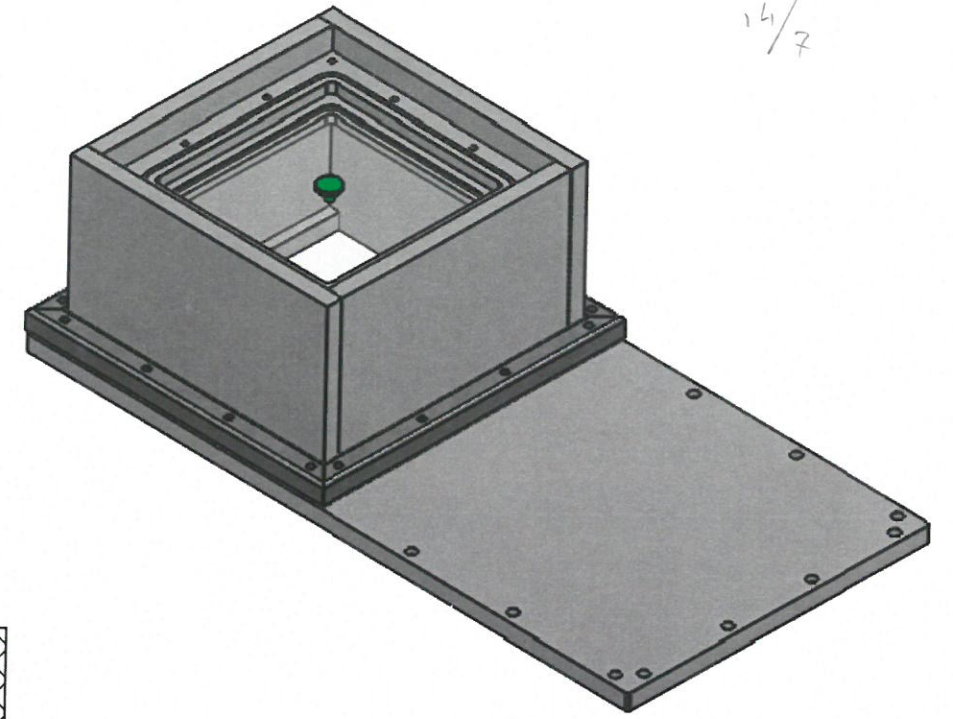
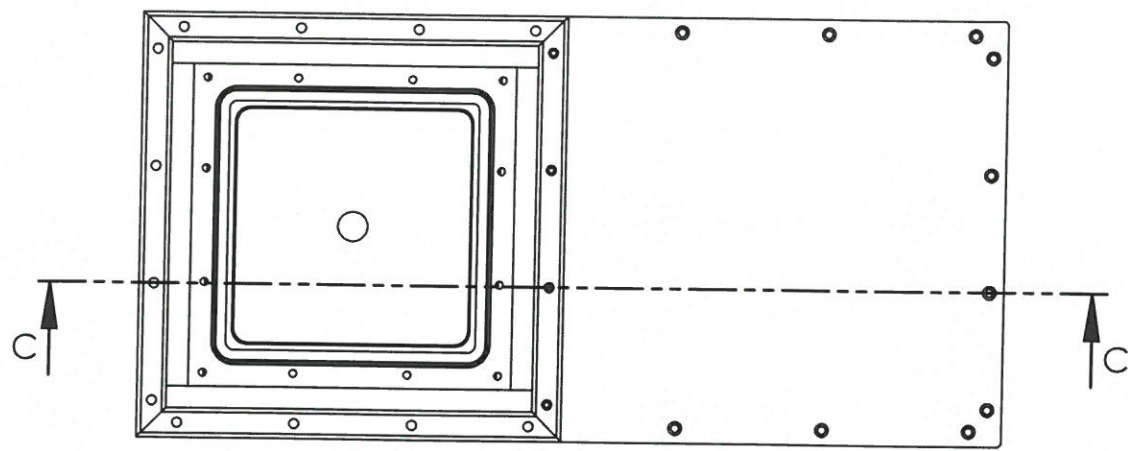


14/7

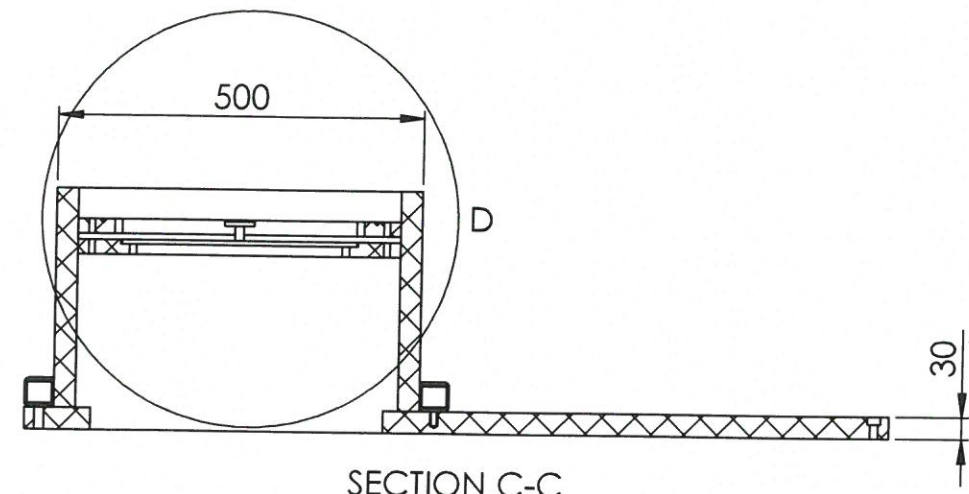


DETAIL G
SCALE 1 : 1

14/7



DETAIL D
SCALE 1 : 5



SECTION C-C

Chck App		van Kaam B.V. T. 075-6314841
	TITLE:	Rechte Tocht 11 E. info@vankaam.eu
		1507 BZ Zaandam www.vankaam.eu