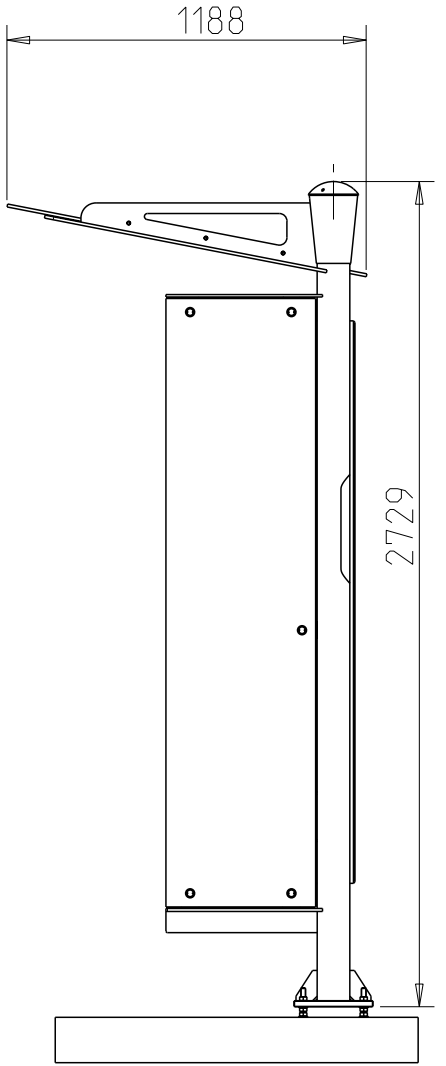


SCALE 1:100



		DRAWING NUMBER	2920000400000A	9	
		DRAWING STATUS	CONCEPT DESIGN FORM DETAILING MODEL MAKING TECHNICAL DETAILING PROTOTYPE PRODUCTION PREPARATION FINAL DRAWING	8	
NAME		ABRI AQUI SMAL		7	
REMARKS		SCALE	1:25	4	
		AMERICAN PROJECTION		3	
MATERIAL	-	SIZE	A ₃	2	
DRAWN BY	BS	COPYRIGHT ©		1	
DATE	14-06-2002	ALL RIGHTS RESERVED. THIS DESIGN IS OUR PROPERTY AND MAY NOT IN WHOLE OR IN PART BE REPRODUCED OR EXECUTED WITHOUT OUR CONSENT.		REVISION	DATE