

| Project: | | 213120 | | Interfaces | |
|------------------------------|--|-------------|-----------------------------|-------------------|--|
| Customer: | | VUmc | | | |
| Date | | 19-3-2018 | | | |
| <i>Drawing / Doc. Number</i> | | <i>Rev.</i> | <i>Title / Description</i> | <i>Date</i> | |
| N.A | | As built | Interface overzicht | 19-3-2018 | |
| AE0070728 | | As built | DV-E-1.1/1.2/2.1/2.2 | 19-3-2018 | |
| AE0071894 | | As built | DV-E-4 | 19-3-2018 | |
| AE0070758 | | As built | DV-E-6 / DV-E-7 | 19-3-2018 | |
| AE0070727 | | As built | DV-E-8 / DV-G-4 | 19-3-2018 | |
| AE0070726 | | As built | DV-G-1 / DV-G-2 | 19-3-2018 | |
| AE0070725 | | As built | DV-G-3 | 19-3-2018 | |
| AE0071408 | | As built | DV-G-6 | 19-3-2018 | |
| AE0037122 | | As built | DV-W-2 | 19-3-2018 | |
| AE0070579 | | As built | DV-W-3 | 19-3-2018 | |
| AE0070721 | | As built | DV-W-4 / DV-W-5 | 19-3-2018 | |
| AE0070722 | | As built | DV-W-6 / DV-W-7 | 19-3-2018 | |
| AE0070724 | | As built | DV-W-8 | 19-3-2018 | |
| AE0070723 | | As built | DV-W-9 | 19-3-2018 | |
| AE0070731 | | As built | DV-W-10 | 19-3-2018 | |

213120 VUmc - Interface Overzicht

11-12-2017

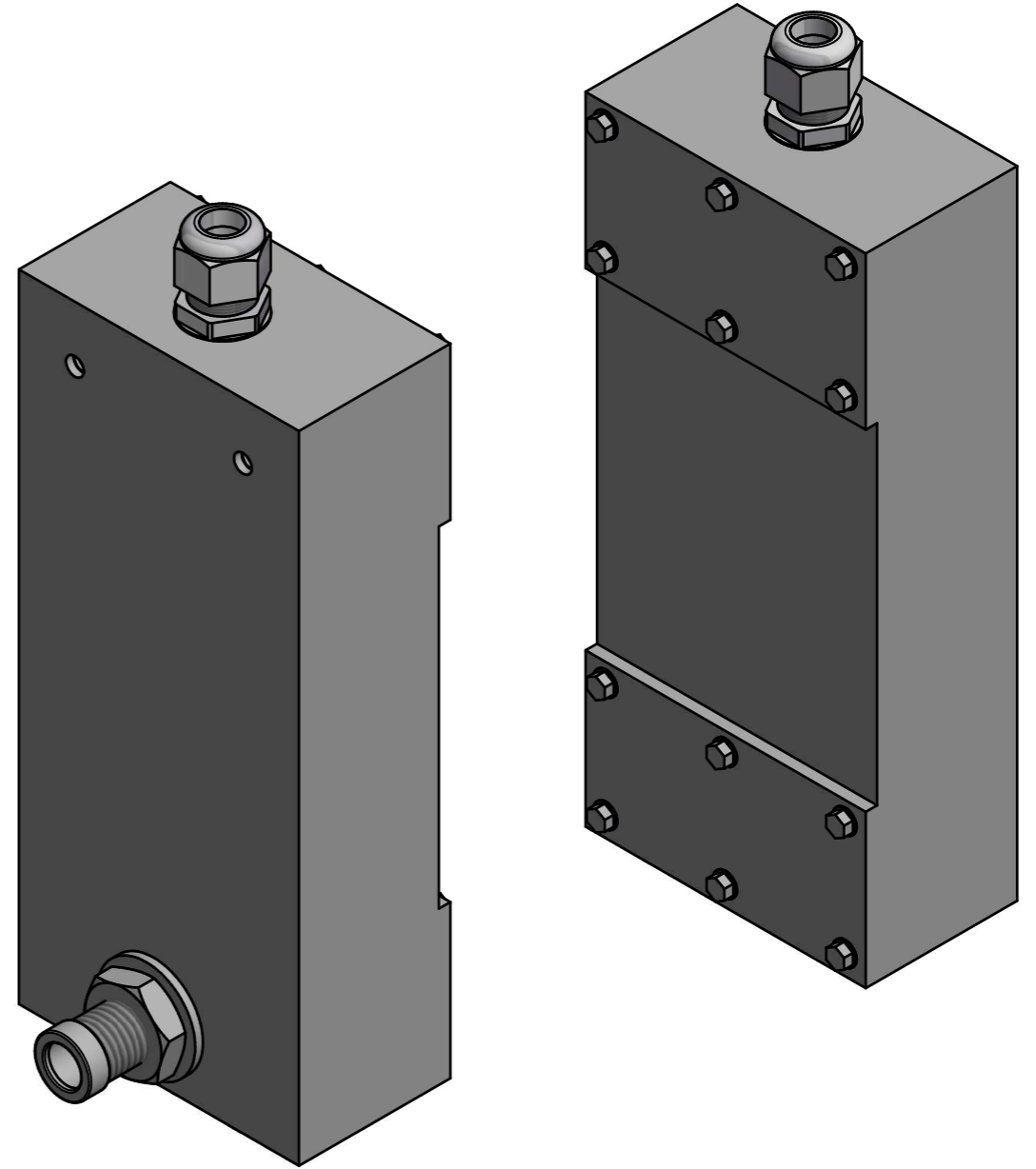
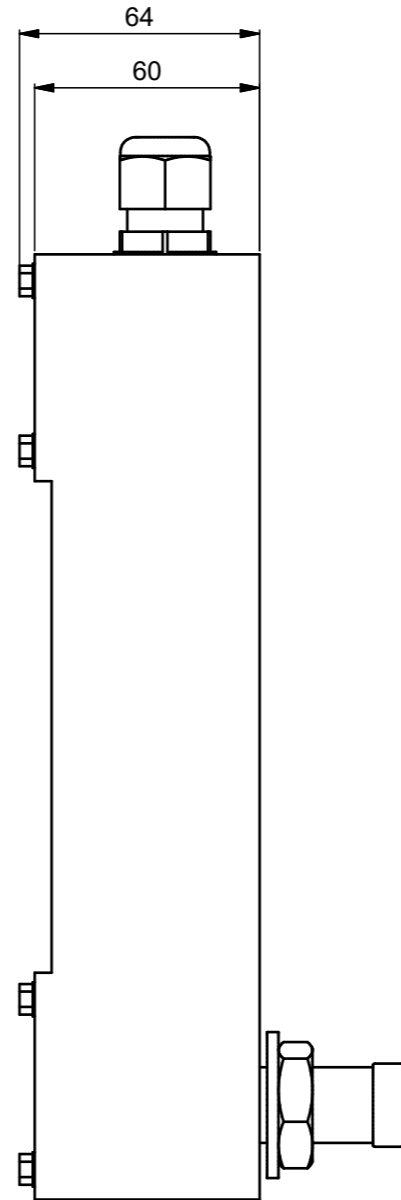
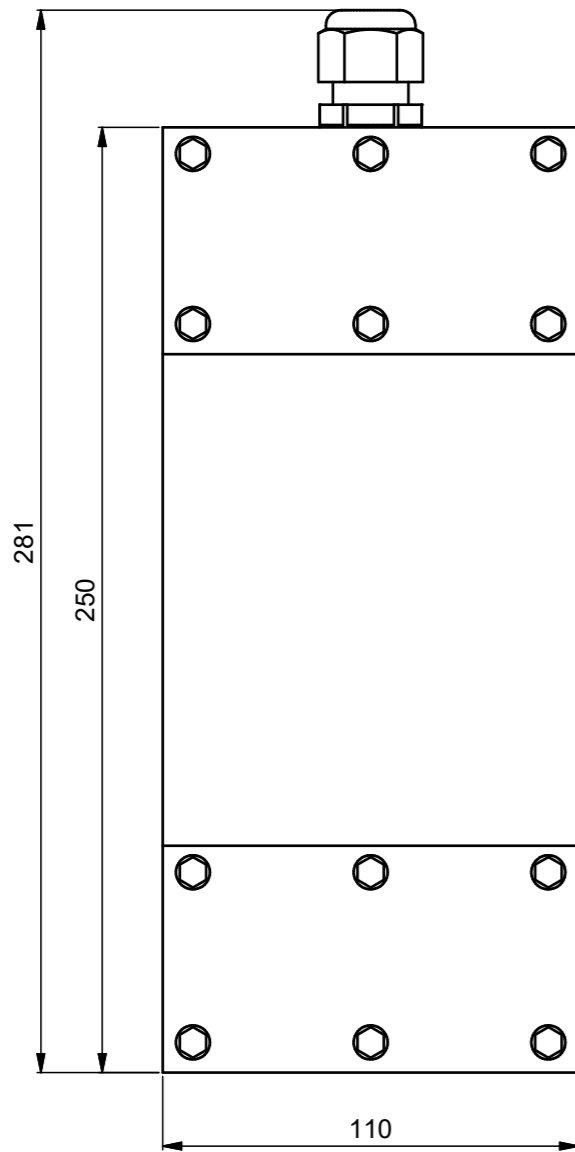
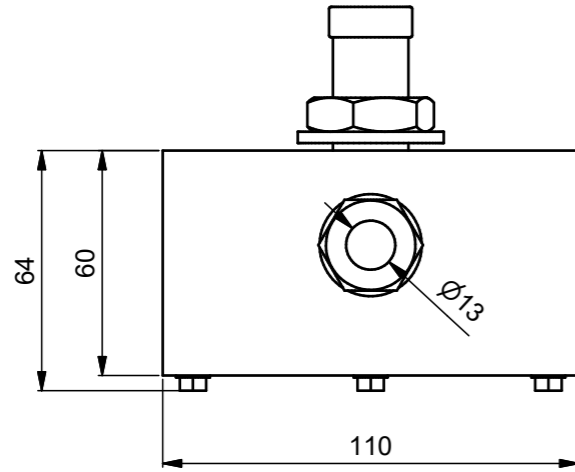
| Groep | Categorie | Definitief | Benaming | Omschrijving | Tekening Nummer | Benodigd | Materiaal | H2.1E Locatie Doorvoer | H2.2E Locatie Doorvoer | H2.4E Locatie Doorvoer | H2.5E Locatie Doorvoer | H2.7E Locatie Doorvoer |
|-------|------------------|------------|-------------------|--|-----------------|---------------------------------|----------------------|---------------------------|---------------------------|---------------------------|---------------------------|---------------------------|
| E | Powerline filter | | DV-E-1 | pn 4801-016 / 1 fase -230V/16A | AE0070728 | Voeding | Staal | Wall A | Wall A | Wall A | Wall A | Wall A |
| E | Powerline filter | | DV-E-2.1 | pn 4801-016 / 1 fase -230V/16A | AE0070728 | Voeding | Staal | Wall C | Wall C | Wall C | Wall C | Wall C |
| E | Powerline filter | | DV-E-2.2 | pn 4801-016 / 1 fase -230V/16A | AE0070728 | Voeding | Staal | Wall C | Wall C | Wall C | Wall C | Wall C |
| E | Powerline filter | | DV-E-2.3 | pn 4801-016 / 1 fase -230V/16A | AE0070728 | Voeding | Staal | Wall C | Wall C | Wall C | Wall C | Wall C |
| E | Entry Panel | | DV-E-3.1 | WP-04 / Dim.: (625x160mm) Klant specifiek | AE0070717 | T.b.v. LED verlichting doorvoer | Geleverd door derden | Wall A | Wall A | Wall A | Wall A | Wall A |
| E | Entry Panel | | DV-E-3.2 | WP-04 / Dim.: (625x160mm) Klant specifiek | AE0070717 | T.b.v. LED verlichting doorvoer | Geleverd door derden | Wall A | Wall A | Wall A | Wall A | Wall A |
| E | Entry Panel | | DV-E-4 | WP-05 / Dim.: 400x200mm | AE0071894 | Ontruiming/Oproep Filters | RVS/Messing | Wall D | Wall B | Wall B | Wall D | Wall B |
| E | Vervallen | | DV-E-5 | Samengevoegd met DV-E-4 | | | | | | | | |
| E | Waveguide | | DV-E-6 | P.n. 1784-025-150-1 / ID=7mm | AE0070758 | Aspiratie | Messing/Kunststof | Wall C | Wall C | Wall C | Wall C | Wall C |
| E | Waveguide | | DV-E-7 | P.n. 1784-025-150-1 / ID=7mm | AE0070758 | Aspiratie | Messing/Kunststof | Wall C | Wall C | Wall C | Wall C | Wall C |
| E | Waveguide | | DV-E-8 | P.n. 1781-125 / ID=35mm | AE0070727 | F.O. doorvoer | Messing | Wall D | Wall B | Wall B | Wall D | Wall B |
| G | Raam | | DV-G-1 | Dim.: 900x500mm (Dagmaat) | AE0070726 | Infra Gebruiker | Staal/glas/koper | Wall D | Wall B | Wall B | Wall D | Wall B |
| G | Raam | | DV-G-2 | Dim.: 900x500mm (Dagmaat) | AE0070726 | Infra Gebruiker | Staal/glas/koper | Wall D | Wall B | Wall B | Wall D | Wall B |
| G | Waveguide | | DV-G-3 | P.n. 1781-200 / ID=54mm | AE0070725 | Infra Gebruiker | Messing | Wall D | Wall B | Wall B | Wall D | Wall B |
| G | Waveguide | | DV-G-4 | P.n. 1781-125 / ID=35mm | AE0070727 | F.O. doorvoer | Messing | Wall D | Wall B | Wall B | Wall D | Wall B |
| G | Deur | | DV-G-5 | P.n. 1752-1223-SA Dagmaat 1200x2300mm | N.n.b. | Kooi toegang | Staal | Wall A | Wall A | Wall A | Wall A | Wall A |
| G | Entry Panel | | DV-G-6 | MRI toegang paneel 1280x2100mm | AE0071408 | MRI | Aluminium/RVS | Wall C | Wall C | Wall C | Wall C | Wall C |
| W | Vervallen | | DV-W-1 | (Veranderd naar DV-G-6) | | | | | | | | |
| W | Entry Panel | | DV-W-2 | WP-02 / Dim.: 450x150mm | AE0037122 | Medische gassen | RVS/messing | Wall A | Wall A | Wall A | Wall A | Wall A |
| W | Entry Panel | | DV-W-3 | WP-03 / Dim.: 450x390mm | AE0070579 | Quench Pipe DN250/P16 | RVS | Wall C | Wall C | Wall C | Wall C | Wall C |
| W | Honeycomb | | DV-W-4 | P.n. 1791-1515 / 150x150mm + woodenframe in- & outside | AE0070721 | Ventilatie | Staal/Hout | Wall C | Wall C | Wall C | Wall C | Wall C |
| W | Honeycomb | | DV-W-5 | P.n. 1791-1515 / 150x150mm + woodenframe in- & outside | AE0070721 | Ventilatie | Staal/Hout | Wall C | Wall C | Wall C | Wall C | Wall C |
| W | Honeycomb | | DV-W-6 | P.n. 1791-3030 / 300x300mm + woodenframe in- & outside | AE0070722 | Ventilatie | Staal/Hout | Wall C | Wall C | Wall C | Wall C | Wall C |
| W | Honeycomb | | DV-W-7 | P.n. 1791-3030 / 300x300mm + woodenframe in- & outside | AE0070722 | Ventilatie | Staal/Hout | Wall C | Wall C | Wall C | Wall C | Wall C |
| W | Honeycomb | | DV-W-8 | P.n. 1791-3015 / 300x150mm + woodenframe in- & outside | AE0070724 | Ventilatie | Staal/Hout | Wall D | Wall B | Wall B | Wall D | Wall B |
| W | Honeycomb | | DV-W-9 | P.n. 1791-4560 / 450x600mm + woodenframe in- & outside | AE0070723 | Overdruk rooster | Staal/Hout | Wall C | Wall C | Wall C | Wall C | Wall C |
| W | Waveguide | | DV-W-10 | P.n. 1781-125-HC / ID=35mm | AE0070731 | Sprinkler doorvoer | Messing/Staal | Wall C | Wall C | Wall C | Wall C | Wall C |

| | | | | | | | | | | | | |
|--|------------------|--|--|--|-----------|--|--|--|--|--|--|--|
| | MRI Vlakke Vloer | | | 4950x2550 (-37,5mm rondom voor flange) | AE0071711 | | | | | | | |
|--|------------------|--|--|--|-----------|--|--|--|--|--|--|--|

Extra benodigheden:
Aansluiting gebouw aarde bij power filters.
Een enkel stopcontact voor voeding van schuifdeur 16A.

This document remains property of Comtest Engineering B.V. No part of this document may be reproduced or transmitted in any form or by any means, electronic or mechanic (including photocopying) for any purpose without the written consent of Comtest Engineering B.V.

COMPANY CONFIDENTIAL



As Built

COMTEST
ENGINEERING

| | | | |
|--------------------|------|--|-----------|
| Project: | | 213120 - VUmc Interfaces | |
| Description: | | Power Filter 2-lines 240V 16A (4801-016) | |
| Title: | Rev: | Date: | 4-10-2017 |
| DV-E-1/2.1/2.2/2.3 | - | State: | Released |

| Rev. | Date | Description | Designer | Checked by | Approved By |
|------|------------|---------------------------|----------|------------|-------------|
| - | 11/27/2017 | Released to manufacturing | Aram | Tizs | Thom |

| | | | |
|--------|-------------|--------|----|
| Doc: | AE0070728 | - | |
| Eng: | Aram | Sheet: | A3 |
| Tol: | ISO 2768-1m | Units: | mm |
| Scale: | 1 : 2 | | |

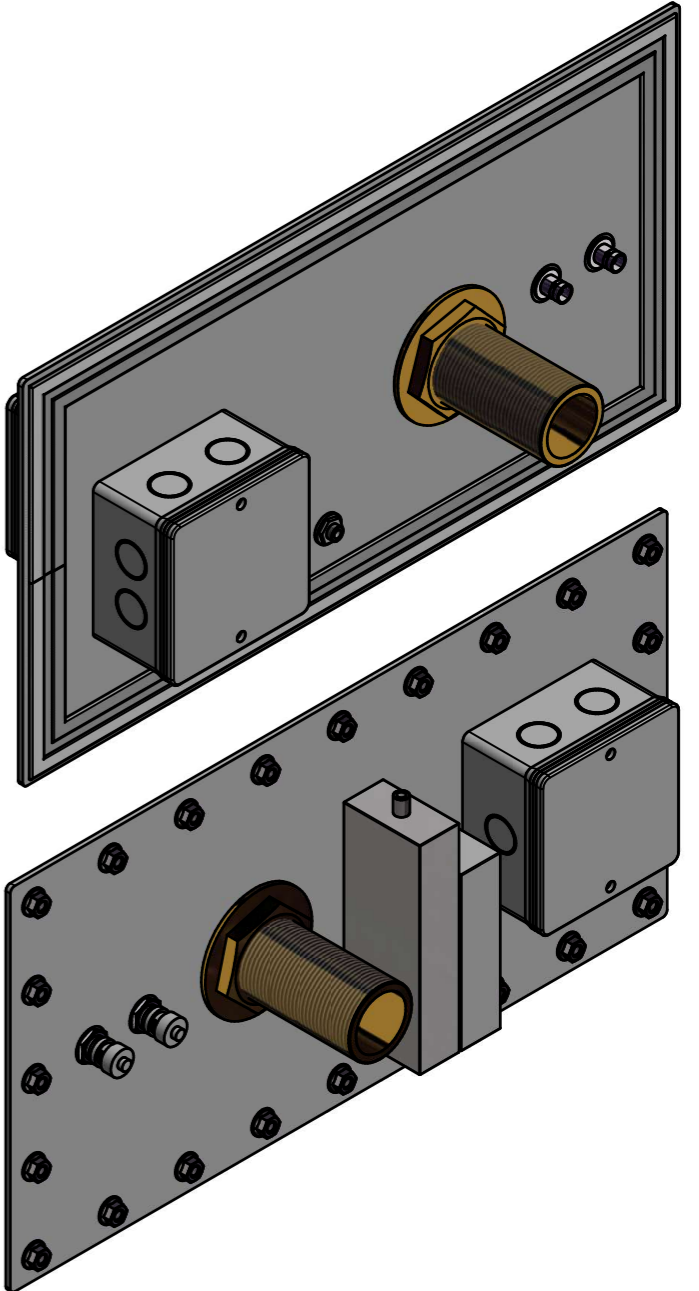
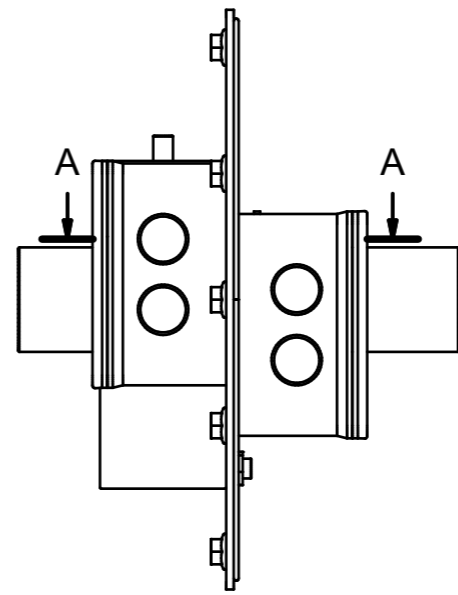
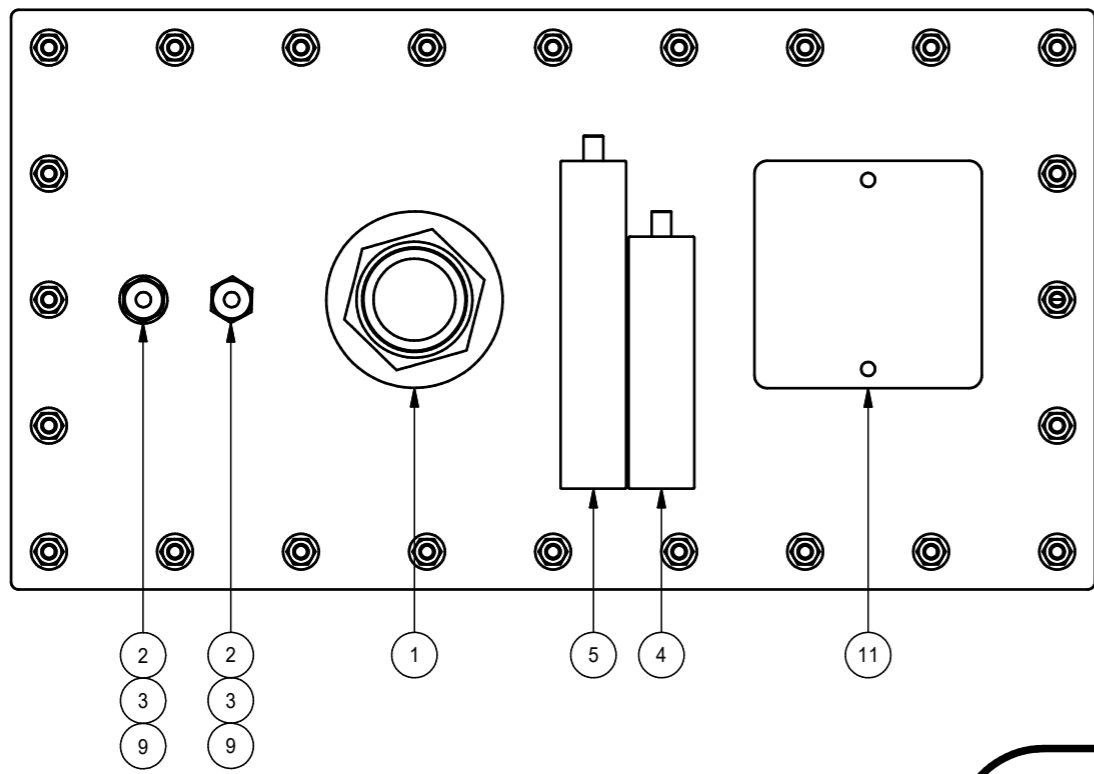
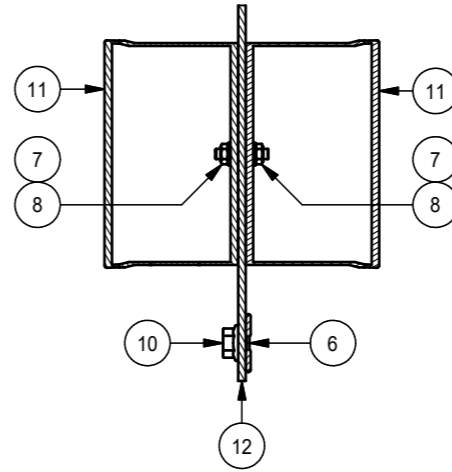
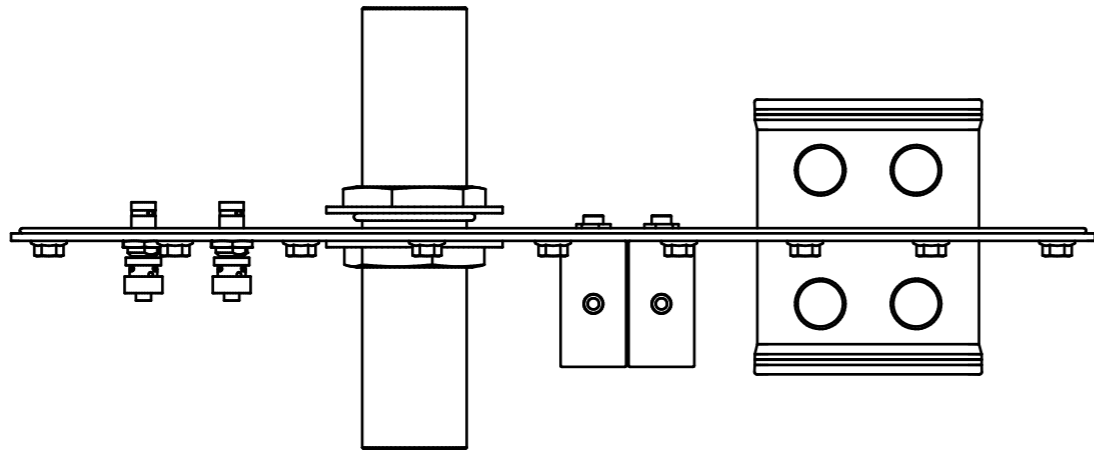
This document remains property of Comtest Engineering B.V. No part of this document may be reproduced or transmitted in any form or by any means, electronic or mechanic (including photocopying) for any purpose without the written consent of Comtest Engineering B.V.

COMPANY CONFIDENTIAL

Panel for testing
not visible in drawing

Geen nabewerking
No extra finishing

Section A



| Item | Qty | Title | Description | Rev |
|------|-----|-------------|--|-----|
| 1 | 1 | 1781-125 | Wave guide model 1781-125 | A |
| 2 | 2 | 1795-001 | BNC connector(f) 4 GHz-50Ω | |
| 3 | 2 | 1795-041 | Metal Dustcap for BNC-connector | |
| 4 | 1 | 4720-430 | ISDN Filter 4-lines Current 0.3A 0-4MHz 640 kb/s incl gasket | |
| 5 | 1 | 4730-050 | Gen. Purp Filter 2-lines Current 1.0A 0-5kHz | |
| 6 | 1 | 500157-4020 | Gasket entry panel 400x200 | |
| 7 | 4 | 500283 | Washer M4 DIN 125-1A | - |
| 8 | 4 | 500308 | Hexagon nut M4 DIN 934 | |
| 9 | 2 | 500620 | EMI Gasket Washer BNC | |
| 10 | 24 | 501522 | Flange nut M6 toothed - DIN6923 (SS304) | - |
| 11 | 2 | 600597 | Junction box 88x88x53 (Hensel D9025) | |
| 12 | 1 | DV-E-4-1 | Datalijnen (Assy plate) | - |
| 13 | 1 | DV-E-4-TST | Datalijnen (Plate for testing) | - |

As Built

| Rev. | Date | Description | Designer | Checked by | Approved By |
|------|------------|---------------------------|----------|------------|-------------|
| - | 11/27/2017 | Released to manufacturing | Aram | Tizs | Thom |

COMTEST
ENGINEERING

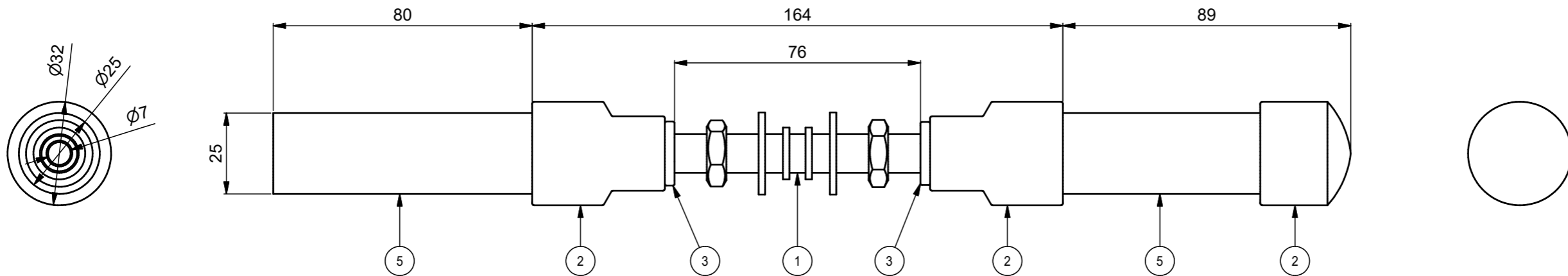
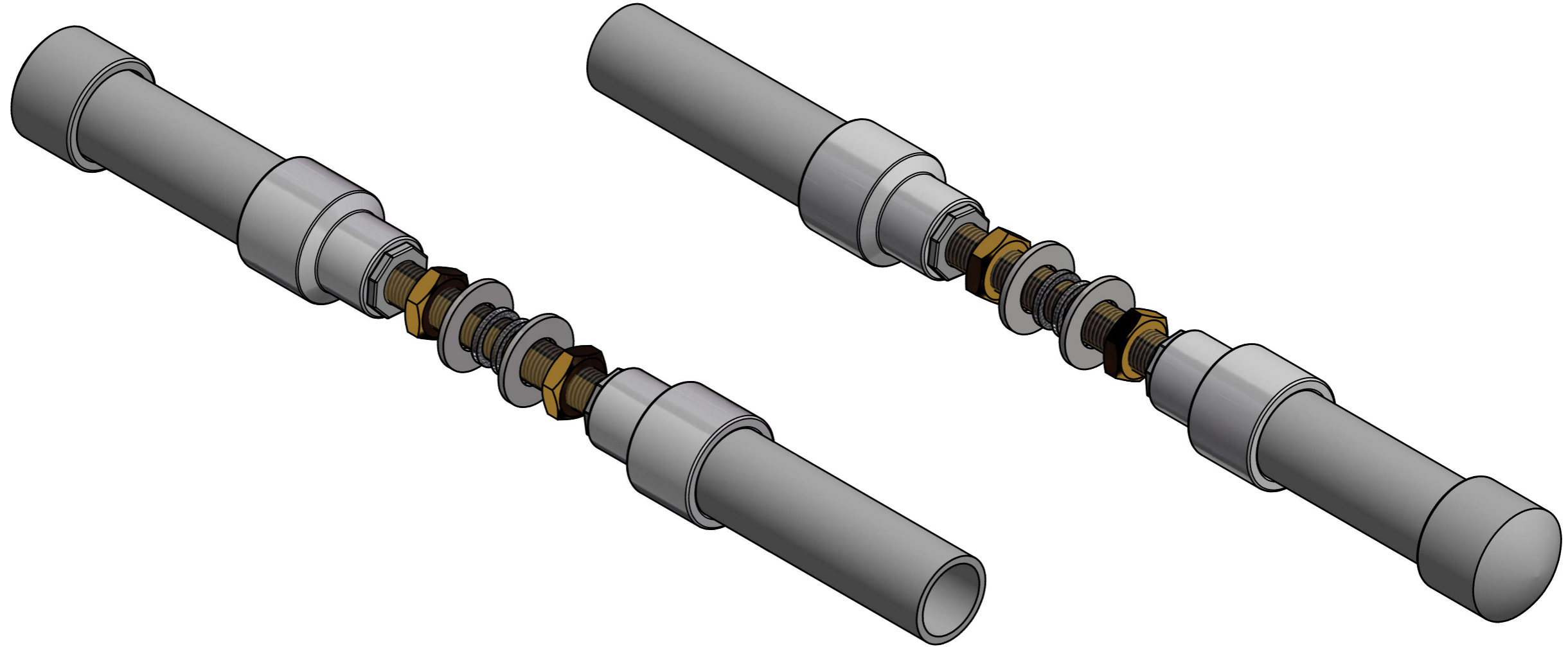
Doc: AE0071894 -
Eng: Aram Sheet: A3
Tol: ISO 2768-1m Units: mm Scale: 1 : 3

Project: 213120 - VUmc Interfaces
Description: Datalijnen
Title: DV-E-4
Rev: - Date: 25-8-2017
State: Quick-Change

This document remains property of Comtest Engineering B.V. No part of this document may be reproduced or transmitted in any form or by any means, electronic or mechanic (including photocopying) for any purpose without the written consent of Comtest Engineering B.V.

COMPANY CONFIDENTIAL

| Item | Qty | Title | Description |
|------|-----|--------------|---------------------------------------|
| 1 | 1 | 1781-025-150 | Wave guide model 150mm |
| 2 | 2 | 501265 | PVC Reducer 32/25x16 PN16 |
| 3 | 2 | 501266 | PVC threaded fitting 16mm x 1/4" PN16 |
| 2 | 1 | 600667 | ABS endcap glued Ø25mm |
| 5 | 2 | 600666-100 | PVC tube Ø25x2,2mm |



As Built

COMTEST
ENGINEERING

Doc: AE0070758 -

Eng: Aram Sheet: A3

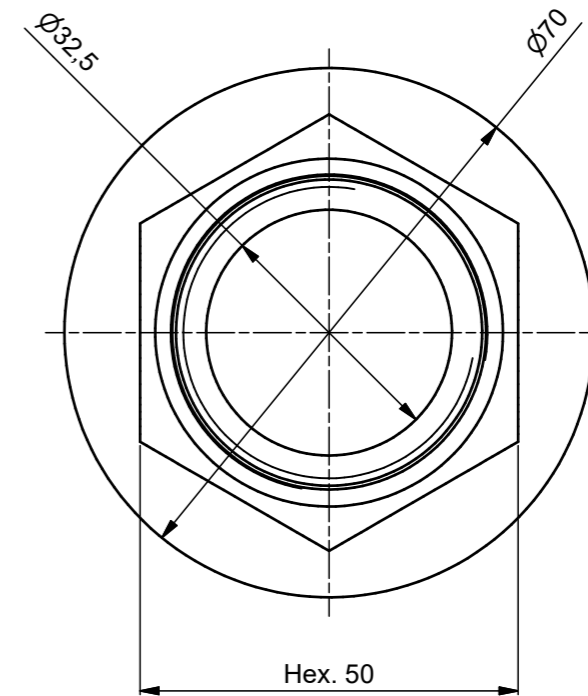
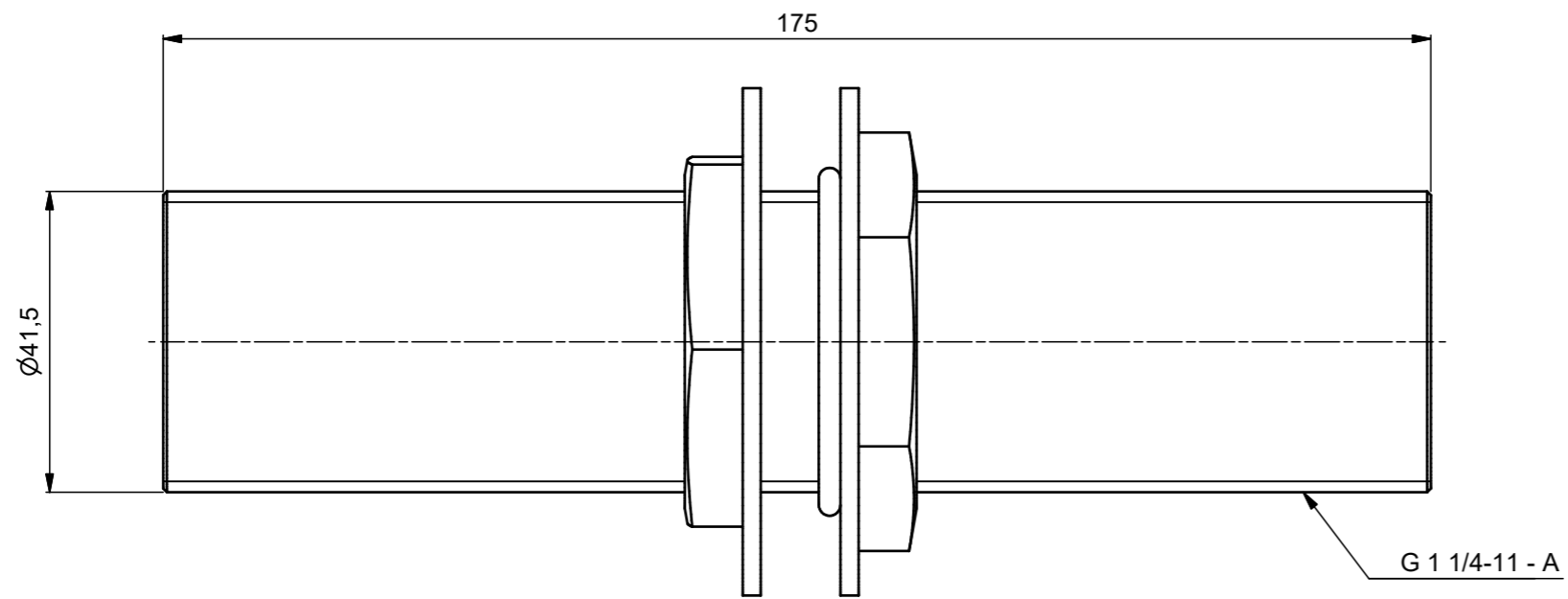
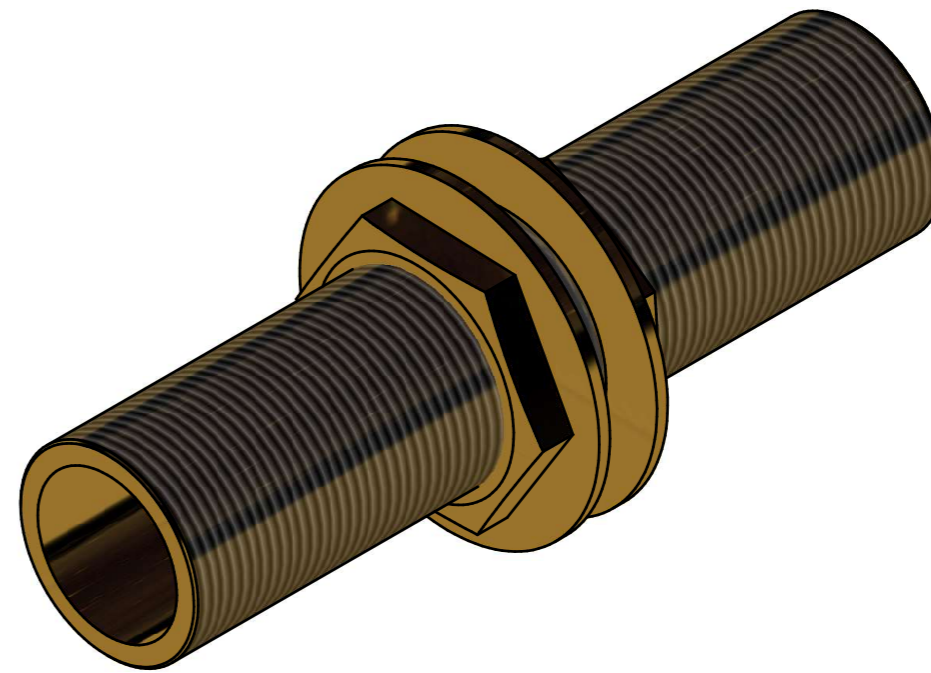
Tol: ISO 2768-1m Units: mm Scale: 1 : 1.5

| | |
|---|------------------------|
| Project: 213120 - VUmc Interfaces | |
| Description: Aspiratie (1784-025-150-1) | |
| Title: DV-E-6 & 7 | Rev: - Date: 5-10-2017 |
| | State: Released |

| Rev. | Date | Description | Designer | Checked by | Approved By |
|------|------------|---------------------------|----------|------------|-------------|
| - | 11/27/2017 | Released to manufacturing | Aram | Tizs | Thom |

This document remains property of Comtest Engineering B.V. No part of this document may be reproduced or transmitted in any form or by any means, electronic or mechanic (including photocopying) for any purpose without the written consent of Comtest Engineering B.V.

COMPANY CONFIDENTIAL



As Built

COMTEST
ENGINEERING

Project: 213120 - VUmc Interfaces

Description: F.O. doorvoer

Title: DV-G-4 & DV-E-8

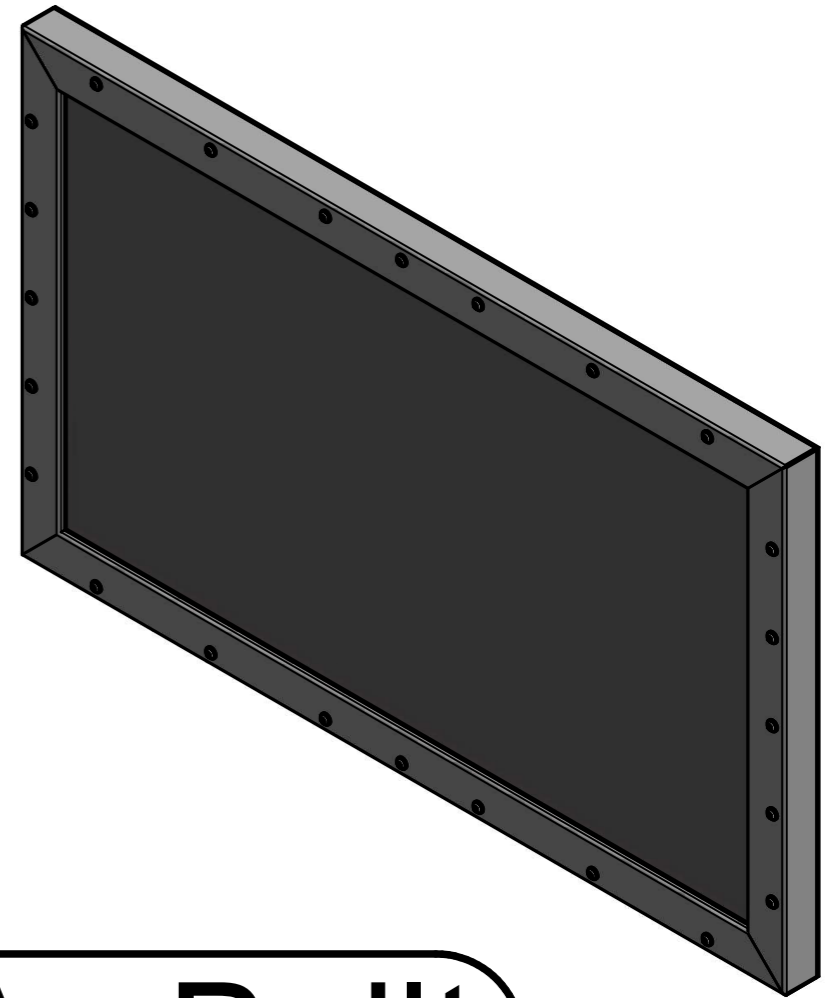
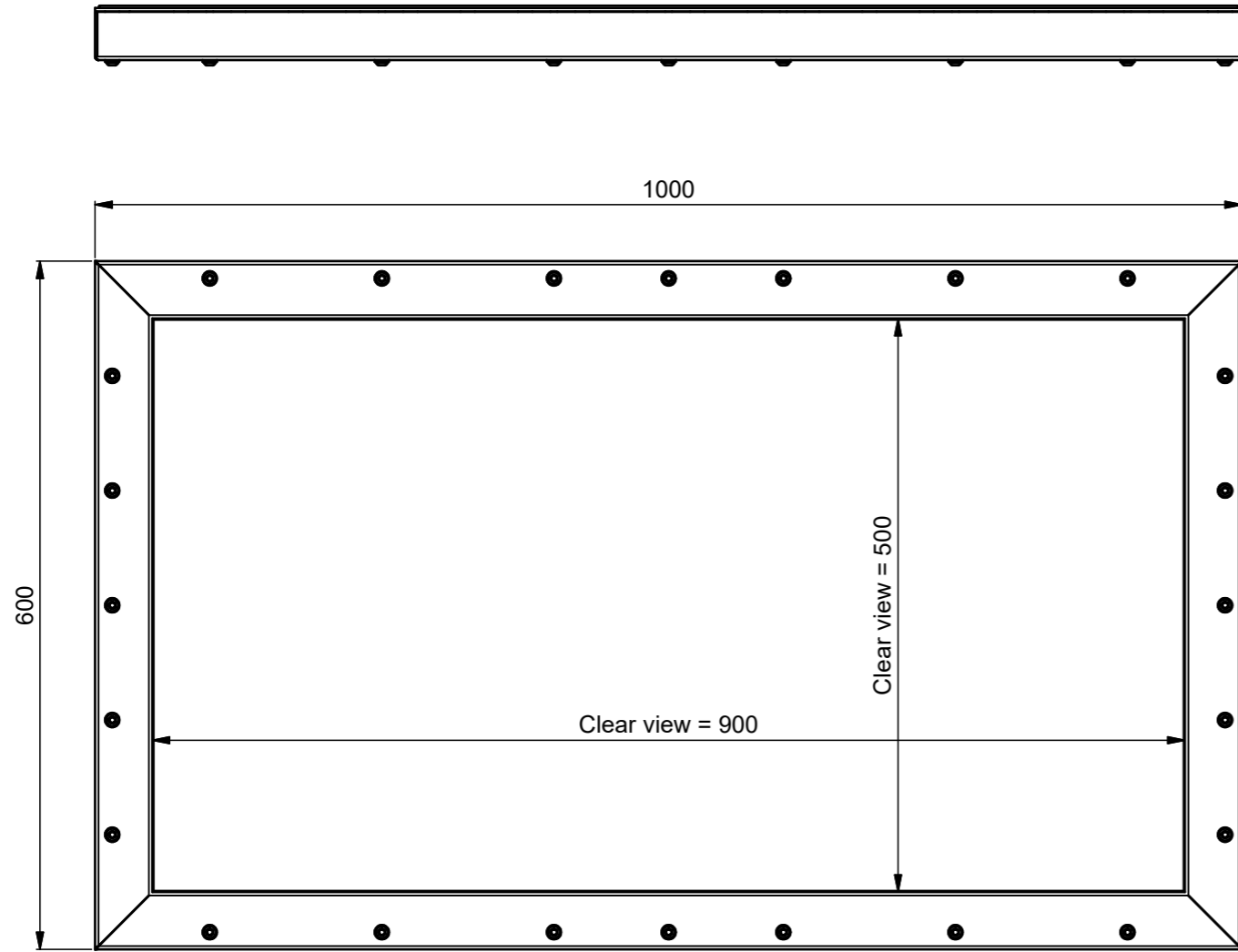
Rev: - Date: 10-1-2011
State: Released

| | | | |
|------|------------|---------------------------|----------|
| - | 11/27/2017 | Released to manufacturing | YJ |
| Rev. | Date | Description | ENGINEER |

| | | | |
|----------------|------------------|-----------|--------------|
| Doc: AE0070727 | - | Sheet: A3 | Scale: 1 : 1 |
| Eng: Aram | Tol: ISO 2768-1m | Units: mm | |

This document remains property of Comtest Engineering B.V. No part of this document may be reproduced or transmitted in any form or by any means, electronic or mechanic (including photocopying) for any purpose without the written consent of Comtest Engineering B.V.

COMPANY CONFIDENTIAL



As Built

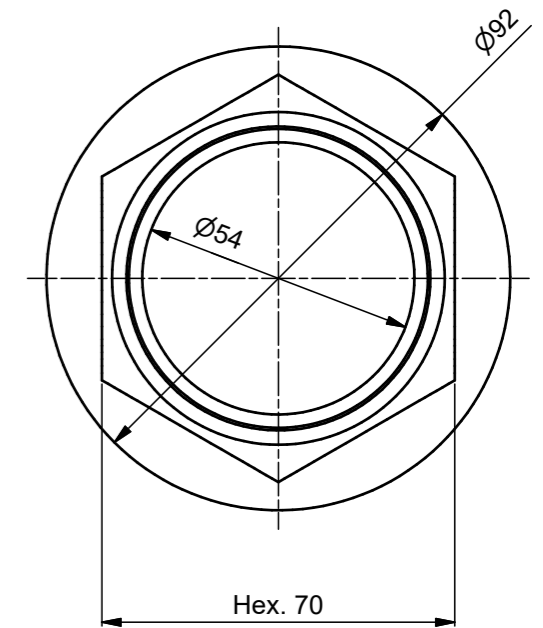
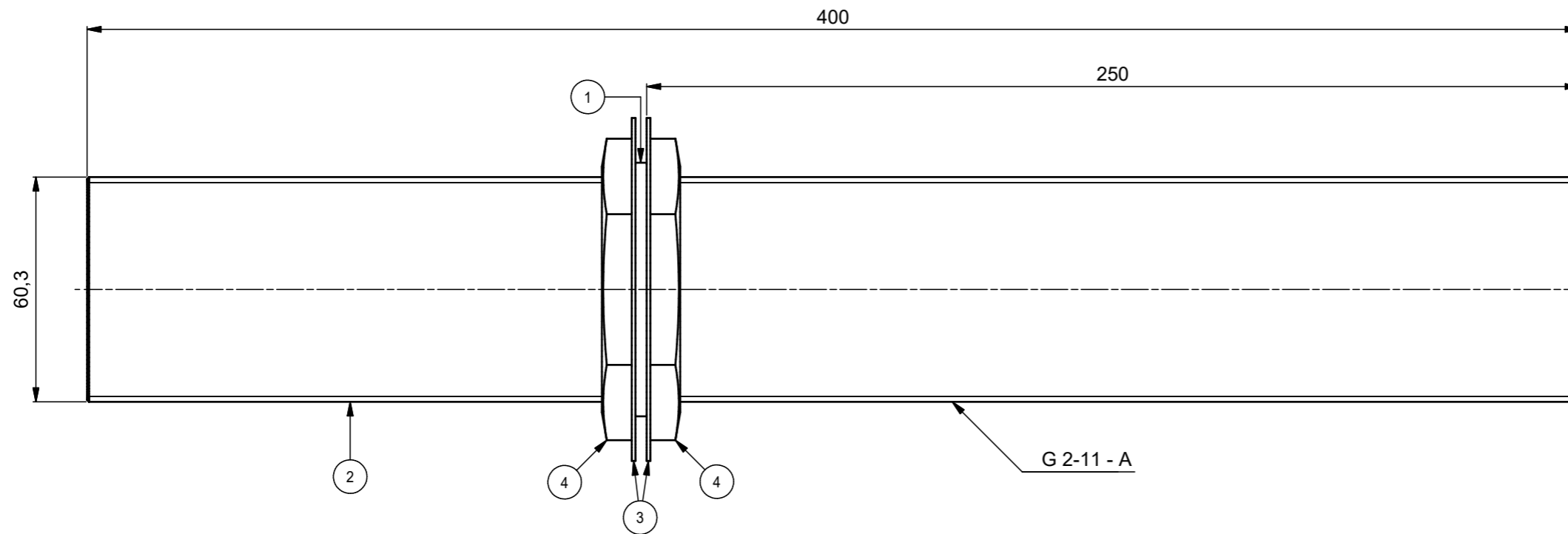
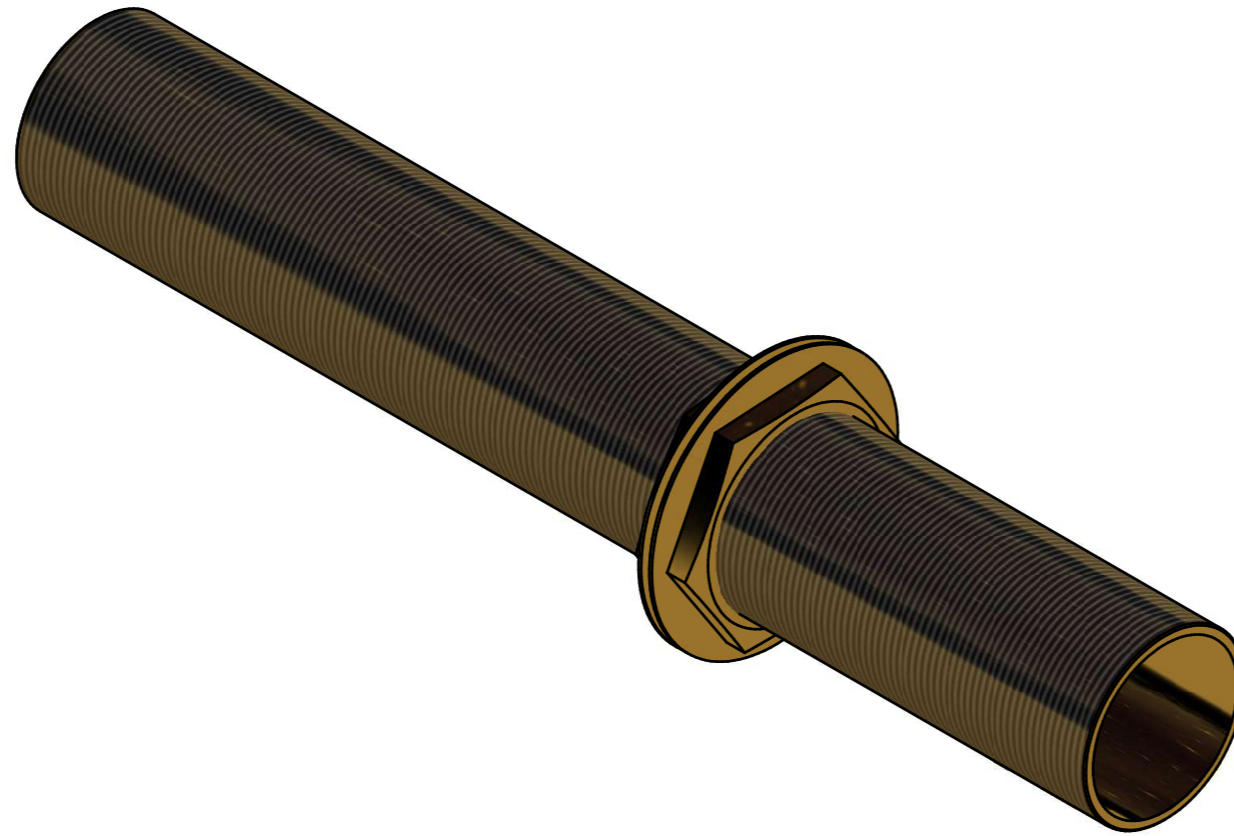
| Rev. | Date | Description | Designer | Checked by | Approved By |
|------|------------|---------------------------|----------|------------|-------------|
| - | 11/27/2017 | Released to manufacturing | Aram | Tizs | Thom |

| | | | |
|------------------|-----------|--|-------------------|
| | | Project: 213120 - VUmc Interfaces | |
| | | Description: Shielded Window 900x500mm | |
| Doc: AE0070726 | - | | Title: DV-G-1 & 2 |
| Eng: Aram | Sheet: A3 | | Rev: - |
| Tol: ISO 2768-1m | Units: mm | Scale: 1 : 6 | State: Released |

This document remains property of Comtest Engineering B.V. No part of this document may be reproduced or transmitted in any form or by any means, electronic or mechanic (including photocopying) for any purpose without the written consent of Comtest Engineering B.V.

COMPANY CONFIDENTIAL

| Item | Qty | Title | Description |
|------|-----|--------------|-------------------------|
| 1 | 1 | 1781-200-001 | Gasket 2" |
| 2 | 1 | 1781-200-002 | Stud 2" external thread |
| 3 | 2 | 1781-200-003 | Washer 92x61x1 |
| 4 | 2 | 500955 | Gas nut G-2" |



As Built

COMTEST
ENGINEERING

Project: 213120 - VUmc Interfaces

Description: Kabel doorvoer Ø54

Title: DV-G-3

Rev: - Date: 10-1-2011
State: Quick-Change

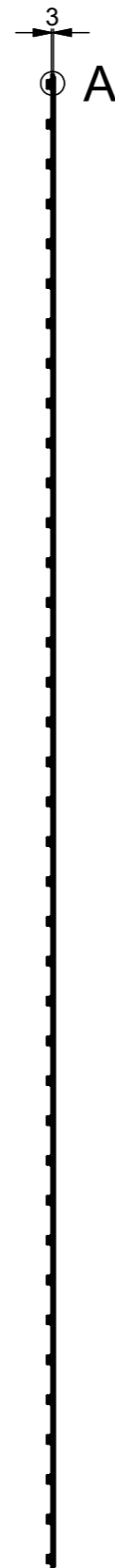
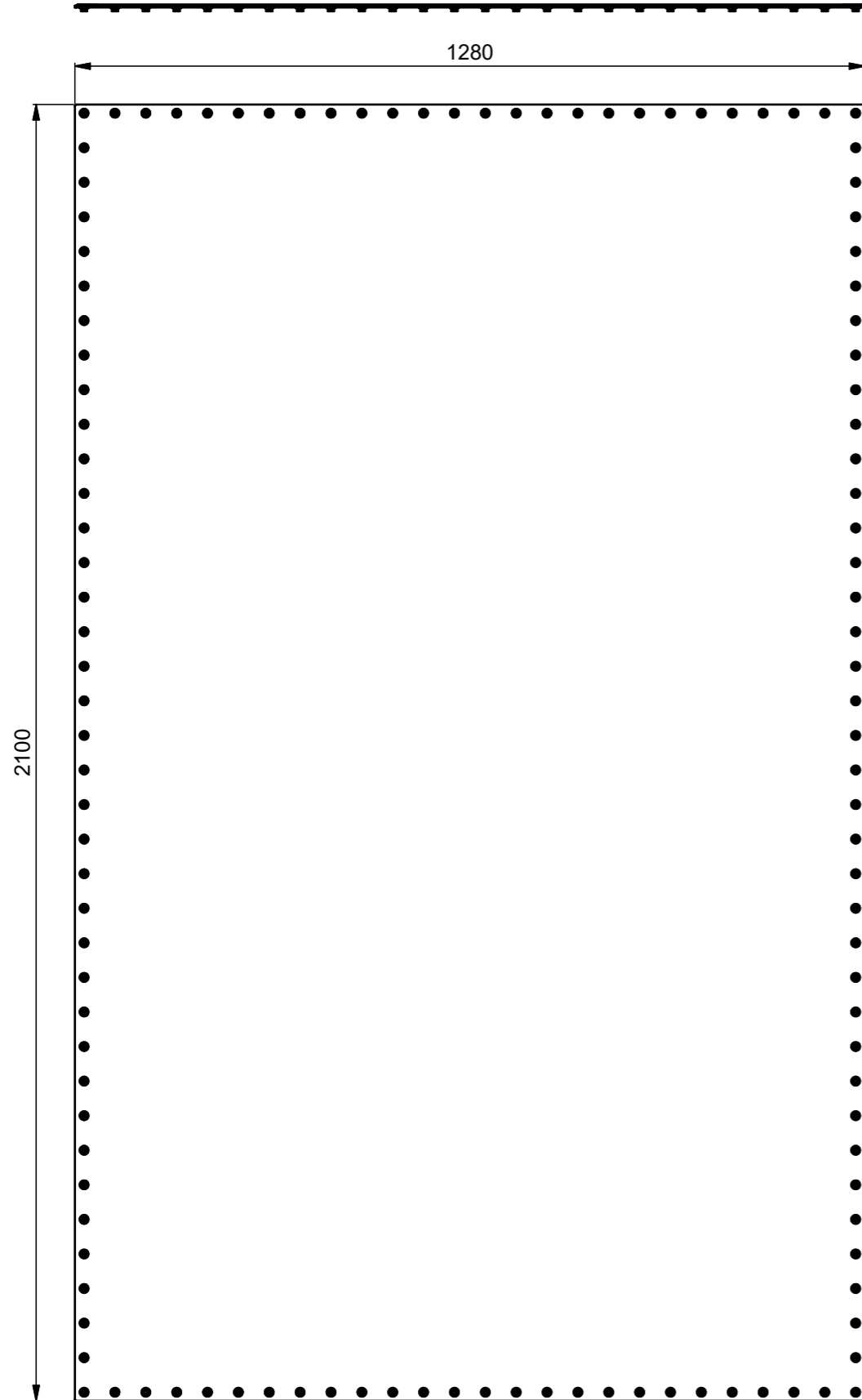
Doc: AE0070725 -
Eng: Aram Sheet: A3
Tol: ISO 2768-1m Units: mm Scale: 1 : 2

| Rev. | Date | Description | Designer | Checked by | Approved By |
|------|------------|---------------------------|----------|------------|-------------|
| - | 11/27/2017 | Released to manufacturing | Aram | Tizs | Thom |

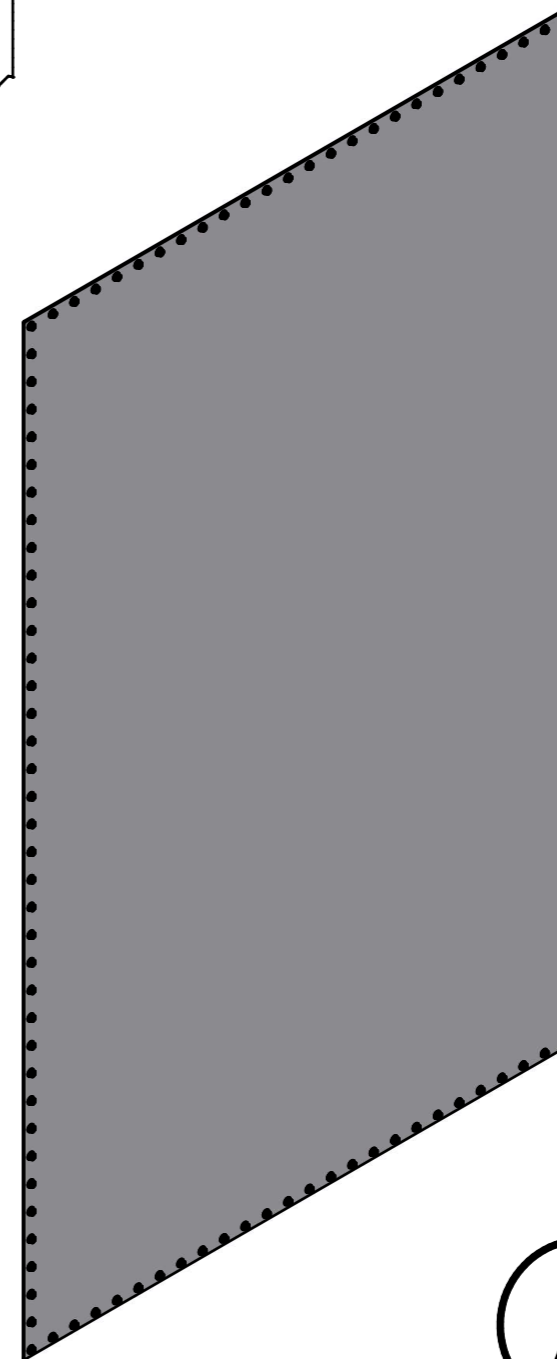
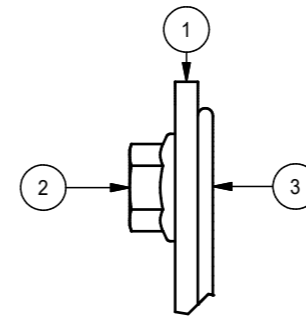
This document remains property of Comtest Engineering B.V. No part of this document may be reproduced or transmitted in any form or by any means, electronic or mechanic (including photocopying) for any purpose without the written consent of Comtest Engineering B.V.

COMPANY CONFIDENTIAL

| Item | Qty | Title | Description |
|------|-----|------------|---|
| 1 | 1 | DV-G-6-1 | MRI Access Area 1280x2100 (Plate) |
| 2 | 124 | 501522 | Flange nut M6 toothed - DIN6923 (SS304) |
| 3 | 1 | 500157-MRI | Gasket MRI Panel 1280x2100 (8.6m) |



Detail A



As Built

| Rev. | Date | Description | Designer | Checked by | Approved By |
|------|------------|---------------------------|----------|------------|-------------|
| - | 27-11-2017 | Released to manufacturing | Aram | Tizs | Thom |

COMTEST
ENGINEERING

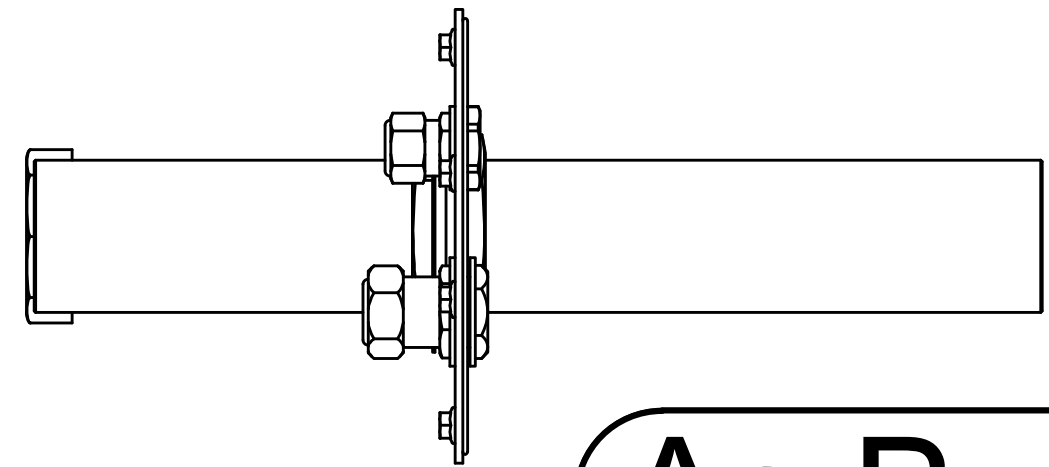
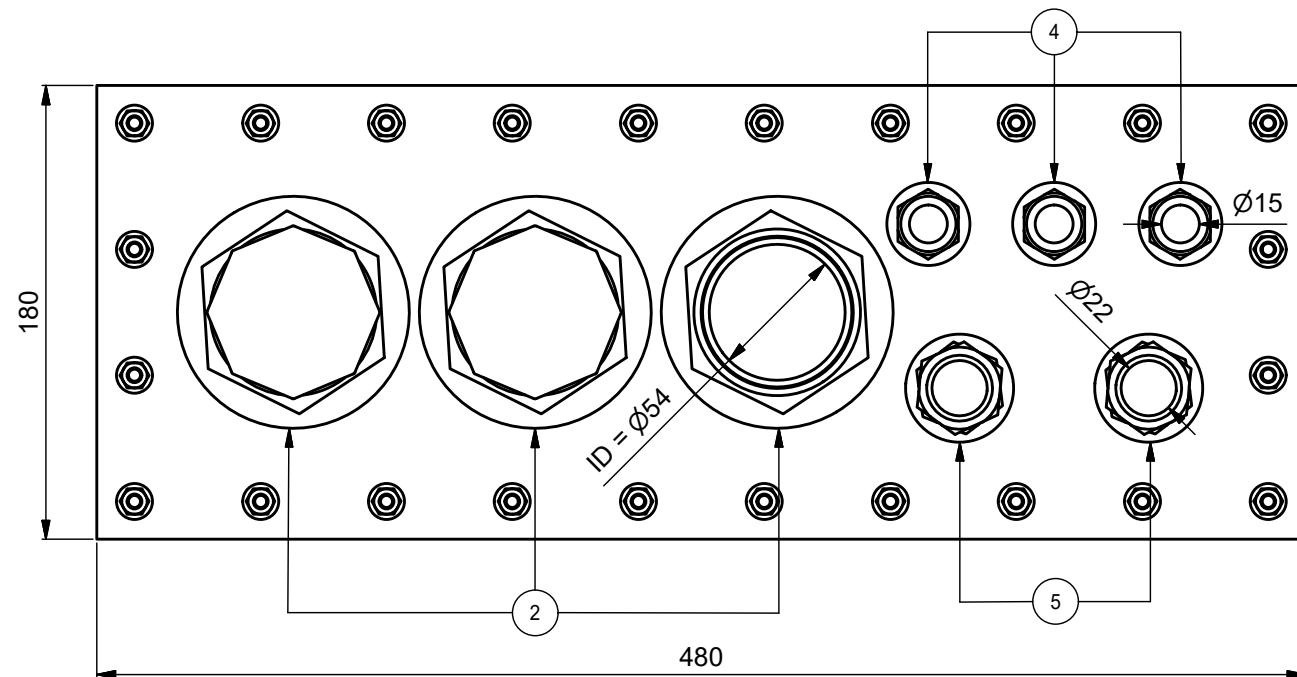
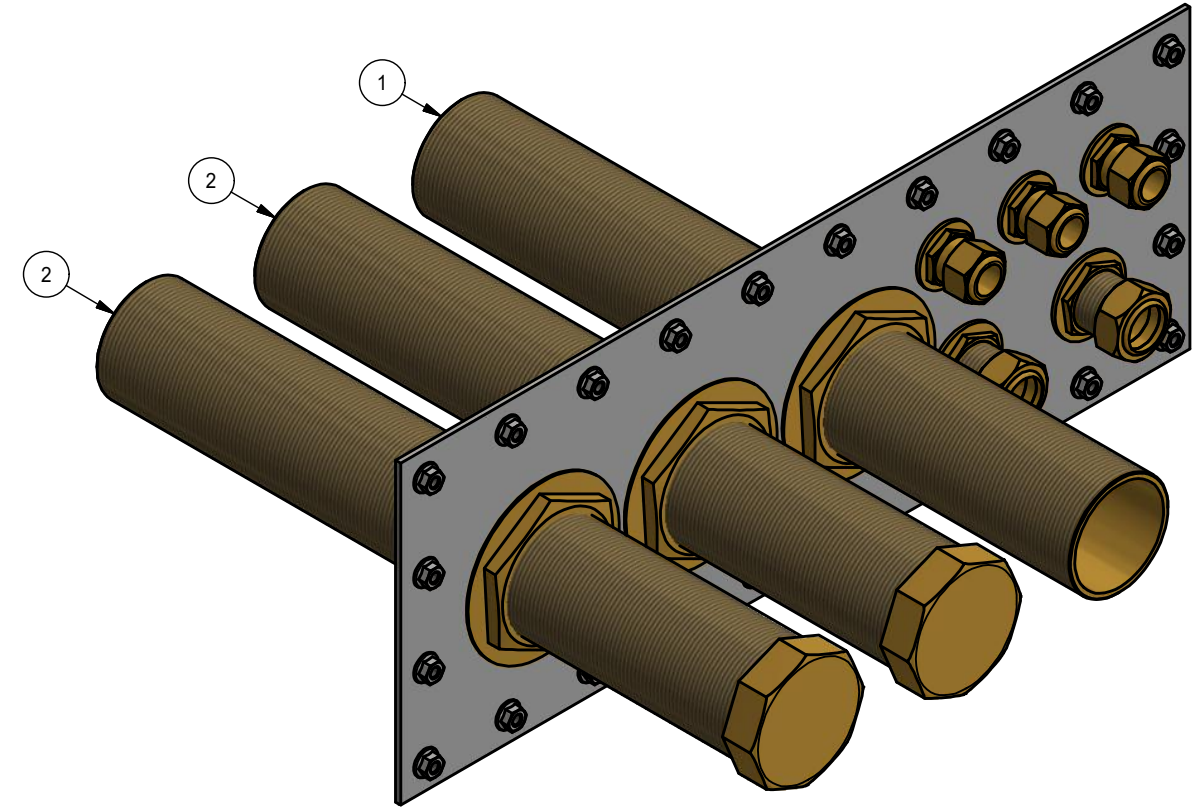
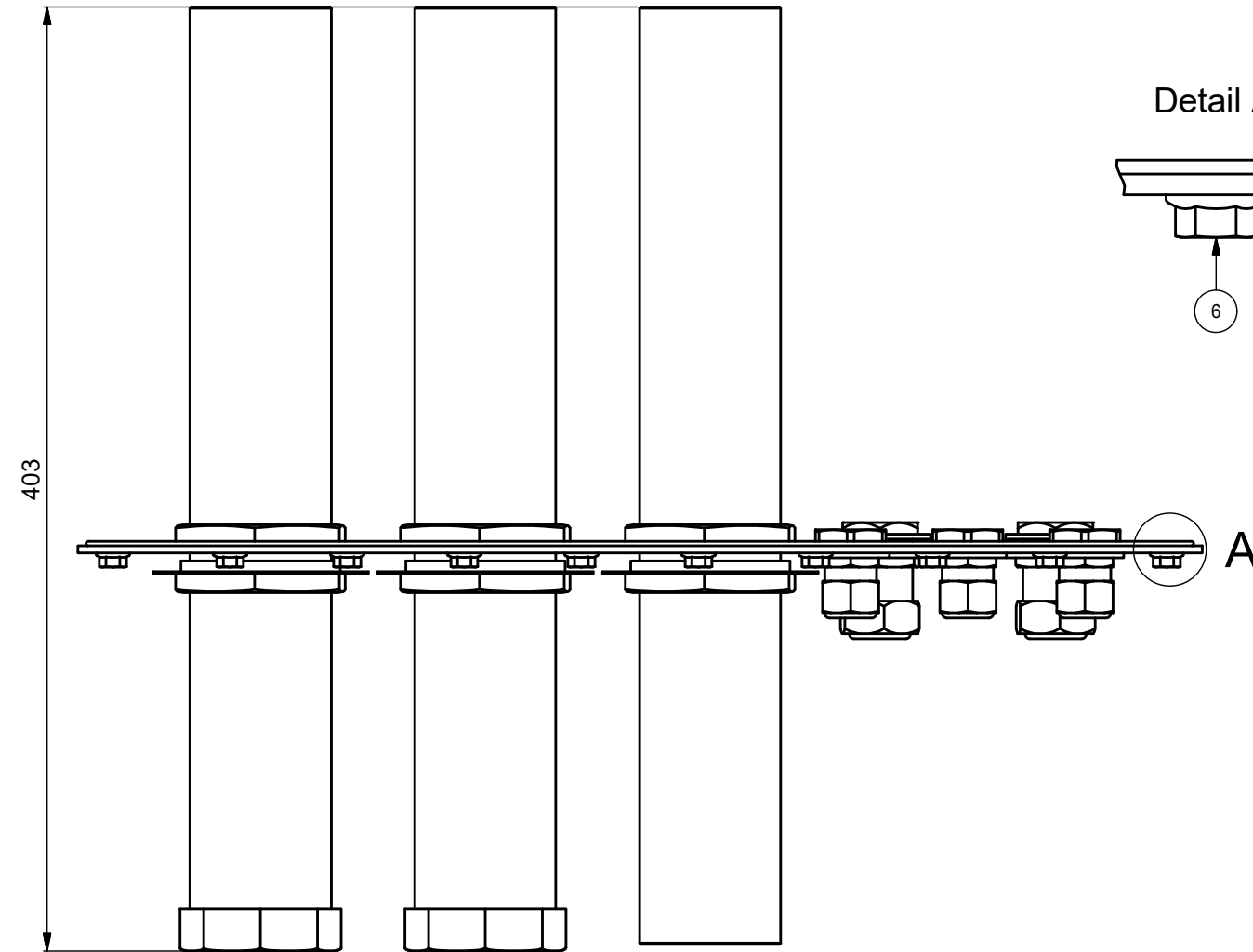
| | | |
|------------------|-----------|---------------|
| Doc: AE0071408 | - | |
| Eng: Aram | Sheet: A3 | |
| Tol: ISO 2768-1m | Units: mm | Scale: 1 : 10 |

| | |
|--|---------------------|
| Project: 213120 - VUmc Interfaces | |
| Description: MRI Access Area 1280x2100 | |
| Title: DV-G-6 | Rev: - |
| Date: 19-10-2017 | State: Quick-Change |

This document remains property of Comtest Engineering B.V. No part of this document may be reproduced or transmitted in any form or by any means, electronic or mechanic (including photocopying) for any purpose without the written consent of Comtest Engineering B.V.

COMPANY CONFIDENTIAL

| Item | Qty | Title | Description |
|------|-----|--------------|---|
| 1 | 1 | 1781-200 | Wave guide model 1781-200 |
| 2 | 2 | 1781-200-W1C | Waveguide 2" with 1 cap |
| 3 | 1 | 500157-1545 | Gasket entry panel 150x450 |
| 4 | 3 | 500645 | Tank connector 15mm |
| 5 | 2 | 500903 | Tank connector 22mm |
| 6 | 24 | 501522 | Flange nut M6 toothed - DIN6923 (SS304) |
| 7 | 1 | DV-W-2-1 | Medische gassen (Plate) |



As Built



Project: 213120 - VUmc Interfaces

Description: Medische gassen

Doc: AE0037122 -
 Eng: Aram Sheet: A3
 Tol: ISO 2768-1m Units: mm Scale: 1 : 3

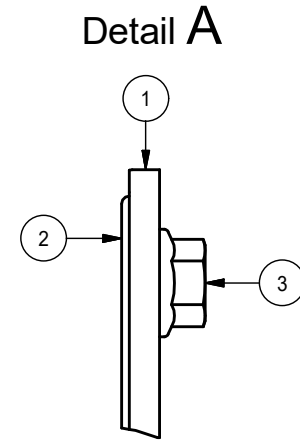
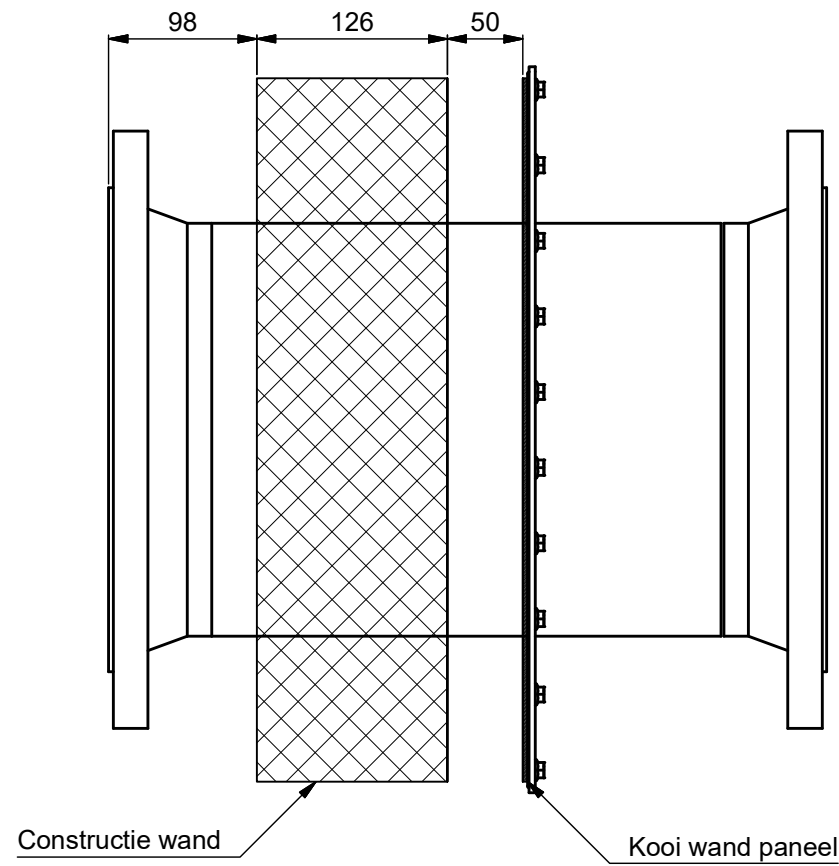
Title: DV-W-2
 Rev: Date: 10/6/2017
 State: Released

| Rev. | Date | Description | Designer | Checked by | Approved By |
|------|------------|---------------------------|----------|------------|-------------|
| - | 11/27/2017 | Released to manufacturing | Aram | Tizs | Thom |

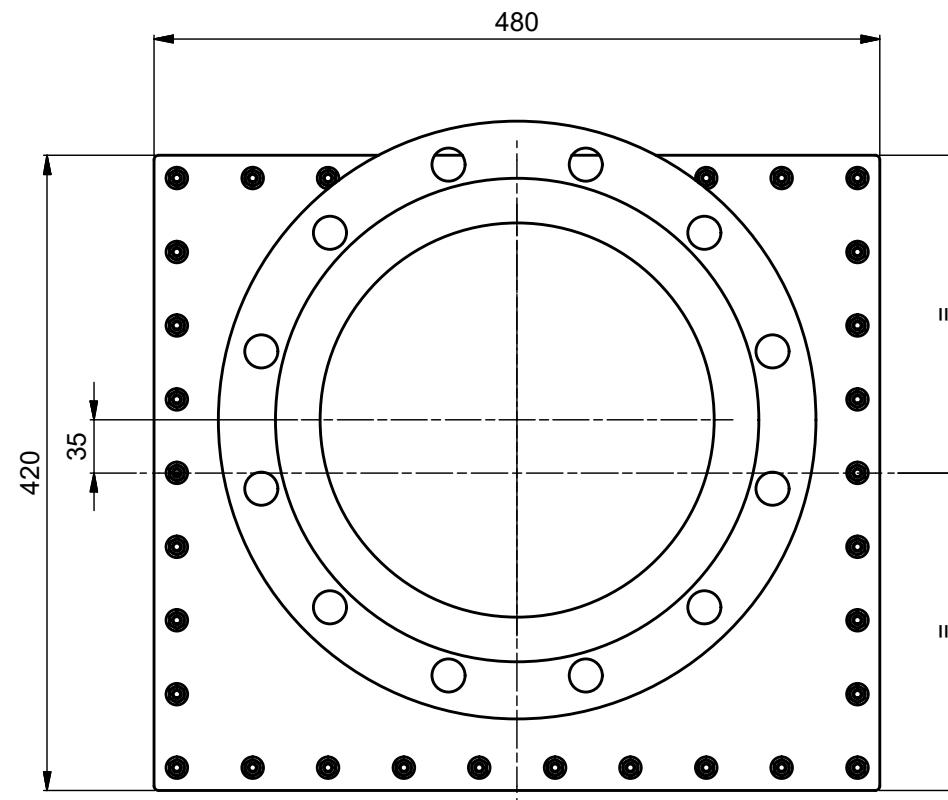
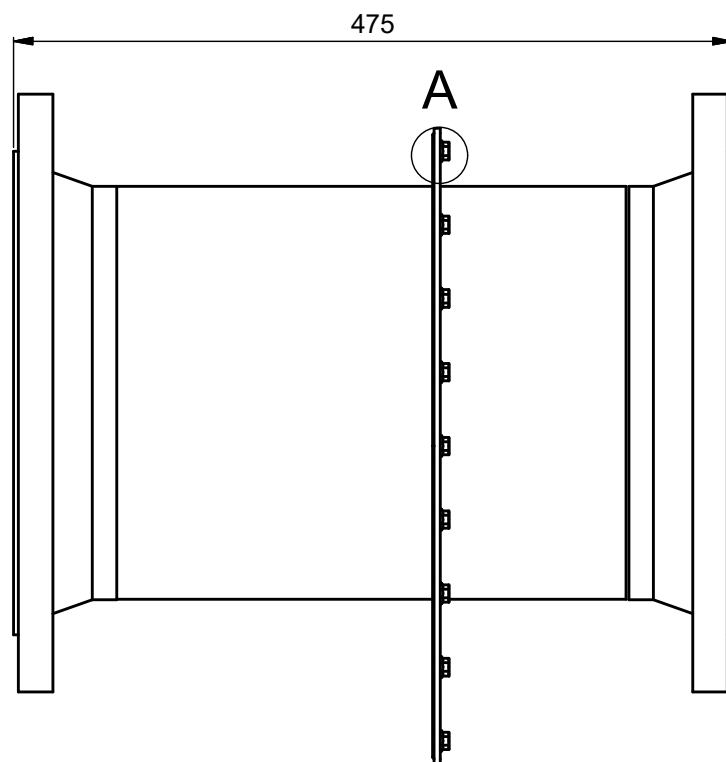
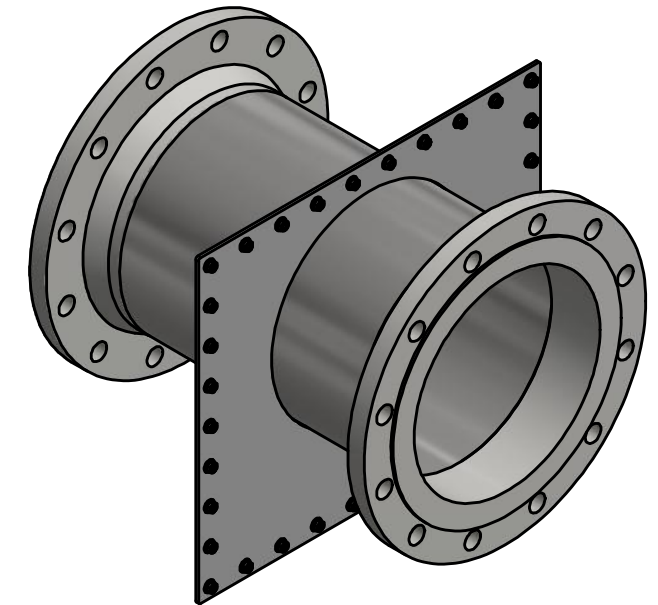
This document remains property of Comtest Engineering B.V. No part of this document may be reproduced or transmitted in any form or by any means, electronic or mechanic (including photocopying) for any purpose without the written consent of Comtest Engineering B.V.

COMPANY CONFIDENTIAL

| Item | Qty | Title | Description |
|------|-----|-------------|---|
| 1 | 1 | DV-W-3-1 | Entry Panel 450x390 (Stainless Steel) |
| 2 | 1 | 500157-4539 | Gasket entry panel 450x390 (SS) |
| 3 | 34 | 501522 | Flange nut M6 toothed - DIN6923 (SS304) |



Geen nabewerking
No extra finishing



As Built

COMTEST
ENGINEERING

Project: 213120 - VUmc Interfaces

Description: Quenchpipe

Doc: AE0070579 -
Eng: Aram Sheet: A3
Tol: ISO 2768-1m Units: mm Scale: 1 : 5

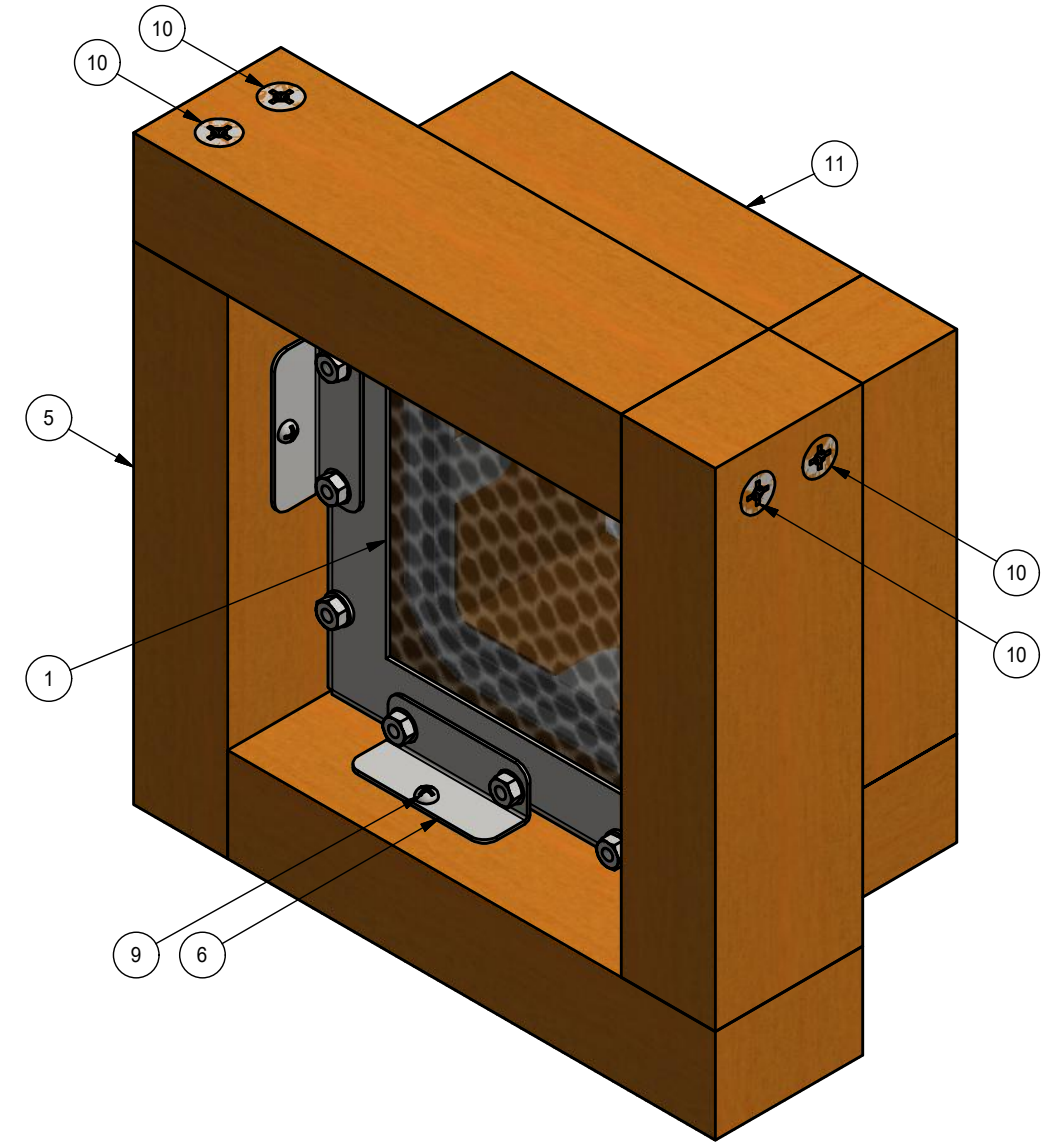
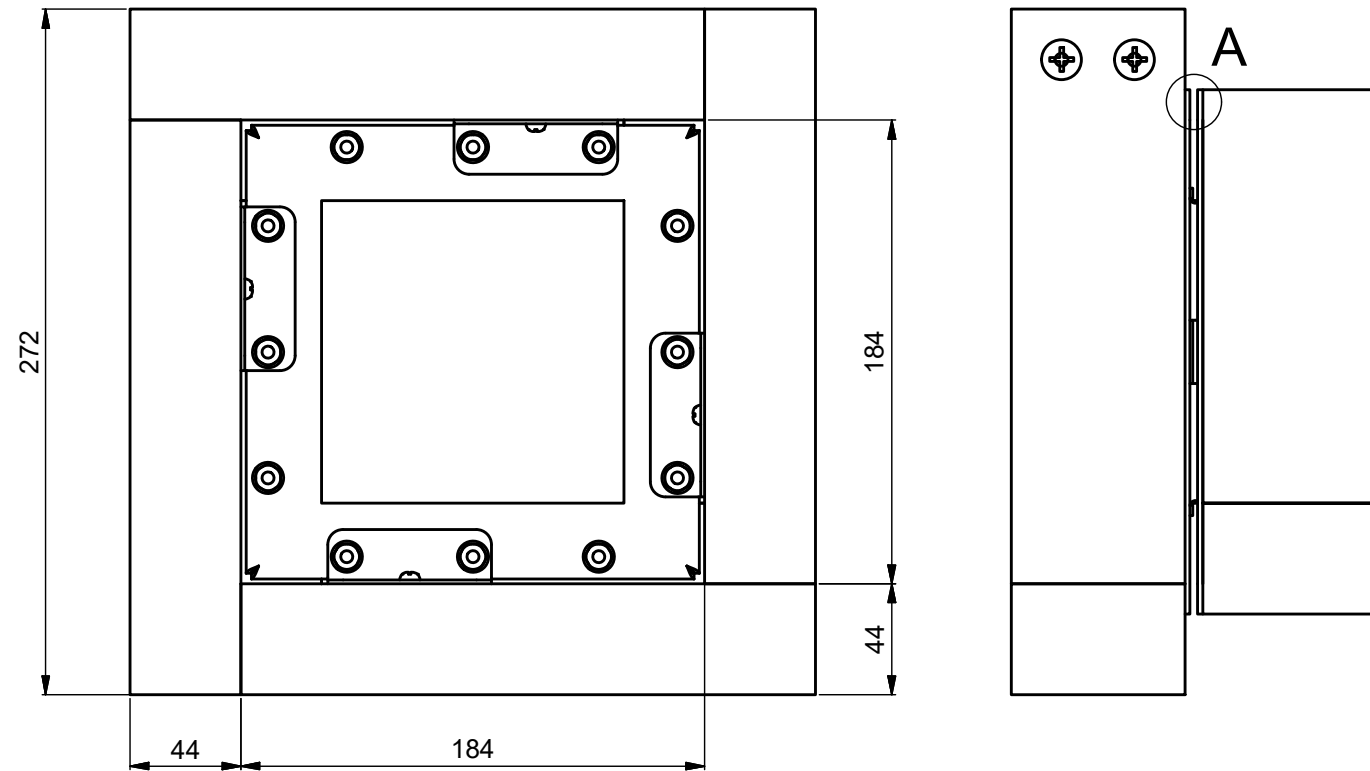
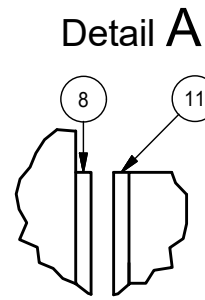
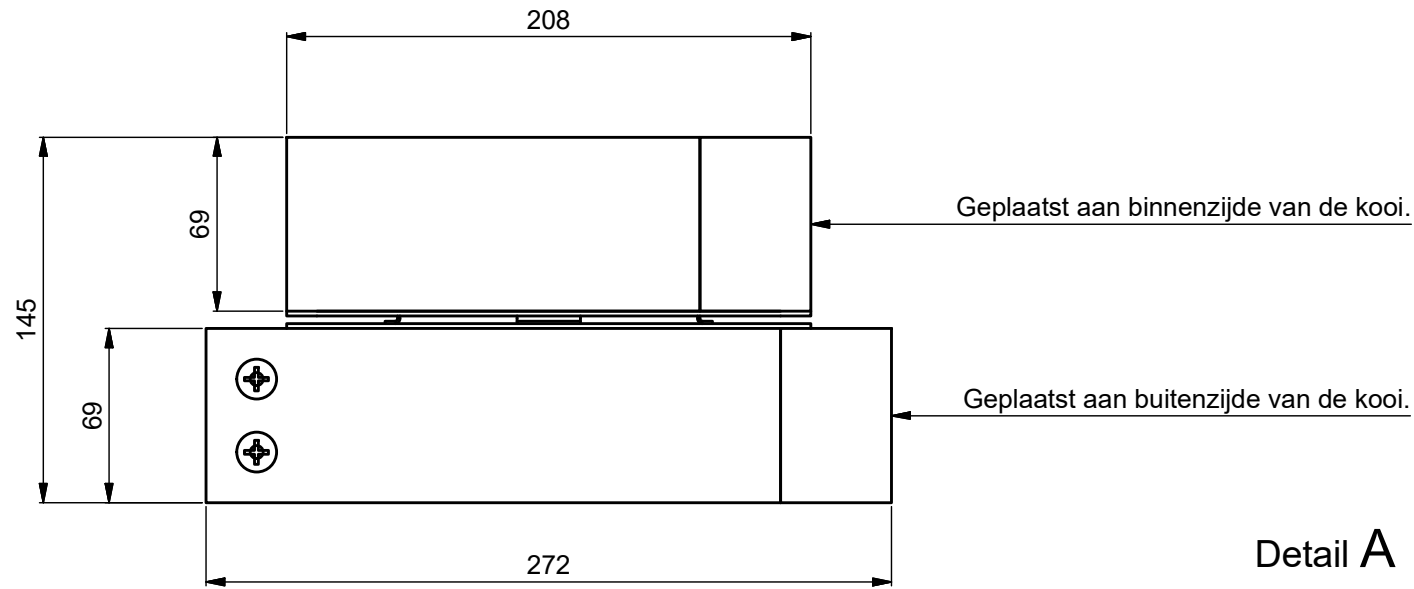
Title: DV-W-3
Rev: - Date: 10/5/2017
State: Released

| Rev. | Date | Description | Designer | Checked by | Approved By |
|------|------------|---------------------------|----------|------------|-------------|
| - | 11/27/2017 | Released to manufacturing | Aram | Tizs | Thom |

This document remains property of Comtest Engineering B.V. No part of this document may be reproduced or transmitted in any form or by any means, electronic or mechanic (including photocopying) for any purpose without the written consent of Comtest Engineering B.V.

COMPANY CONFIDENTIAL

| Item | Qty | Title | Description |
|------|-----|----------------|--|
| 6 | 4 | 006-099 | Beugel voor HC hout montage HC zijde |
| 1 | 1 | 1791-1515 | Honeycomb Assembly 150x150 - 18 GHz |
| 9 | 4 | 500127 | Raised cheese head screw for chipboard 4x30 |
| 10 | 8 | 500200 | Countersunk head screw for chipboard 6x80 DIN 7982 |
| 8 | 1 | 500947-HC-1515 | Draught strip 12x12mm HC-1515 |
| 5 | 1 | HC-WB-150x150 | HC-WB-150x150 |
| 11 | 1 | HC-WBI-150x150 | Honeycomb Int. Wood Frame 150x150 |



As Built

| Rev. | Date | Description | Designer | Checked by | Approved By |
|------|------------|---------------------------|----------|------------|-------------|
| - | 11/27/2017 | Released to manufacturing | Aram | Tizs | Thom |

COMTEST
ENGINEERING

Doc: AE0070721 -

Eng: Aram Sheet: A3

Tol: ISO 2768-1m Units: mm Scale: 1 : 3

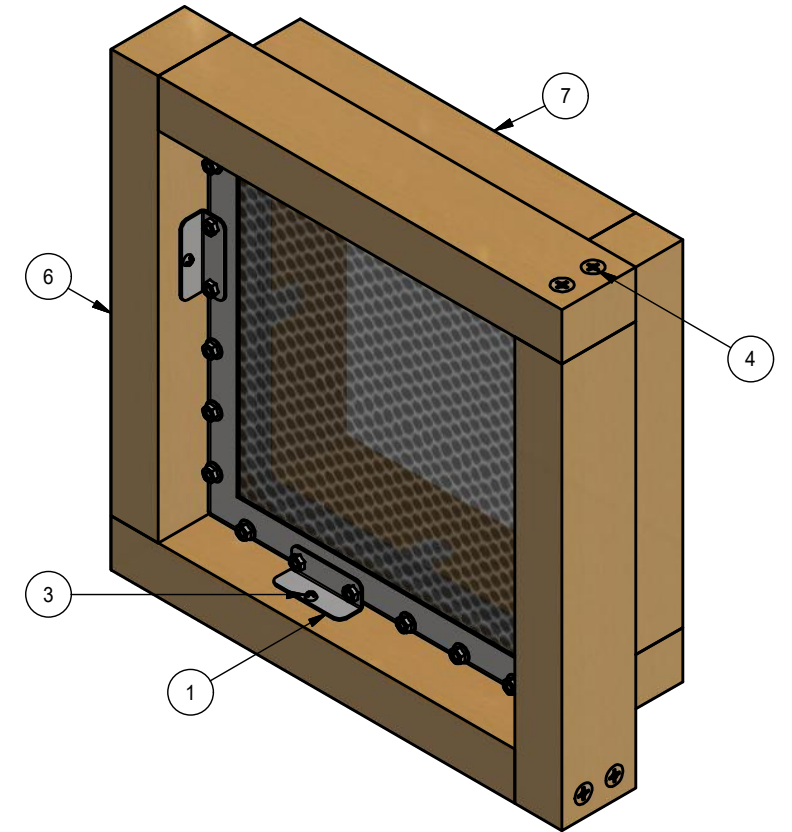
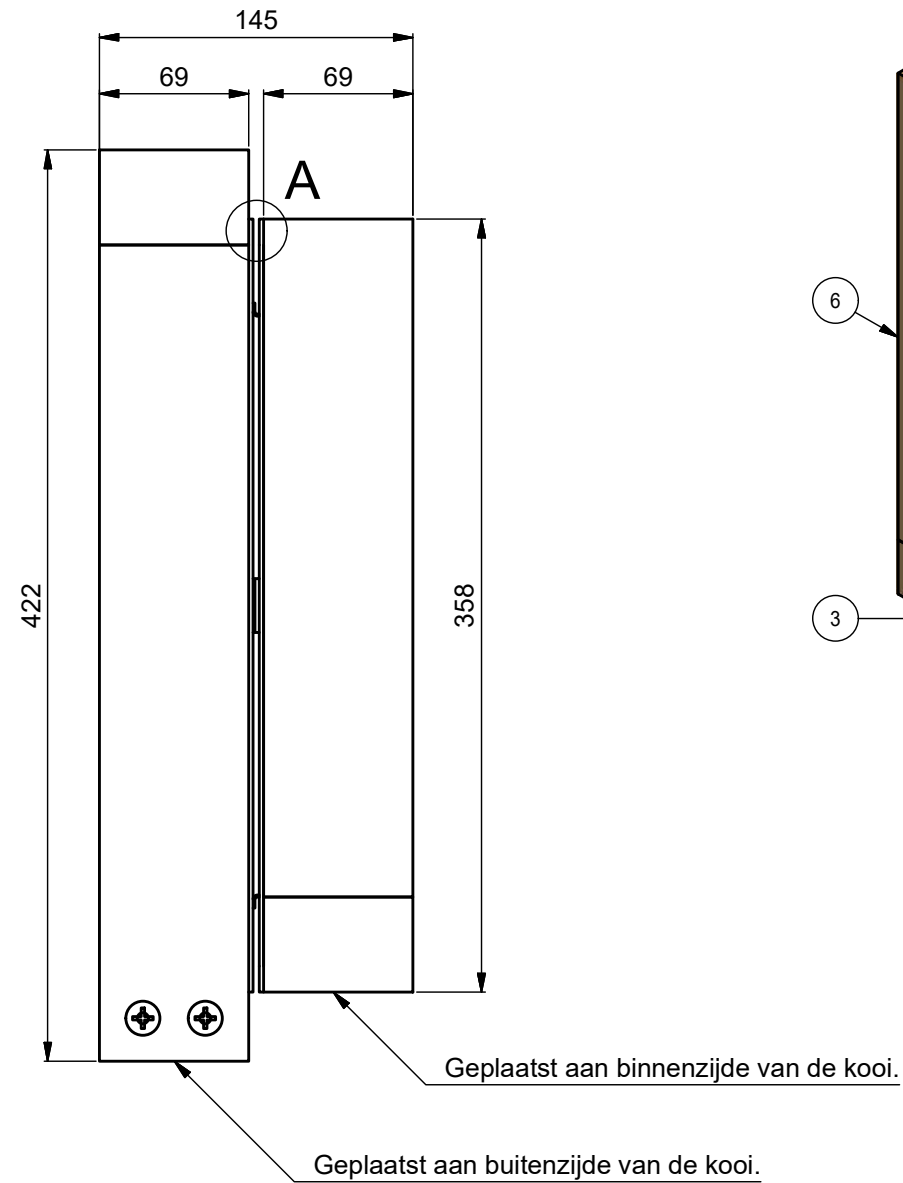
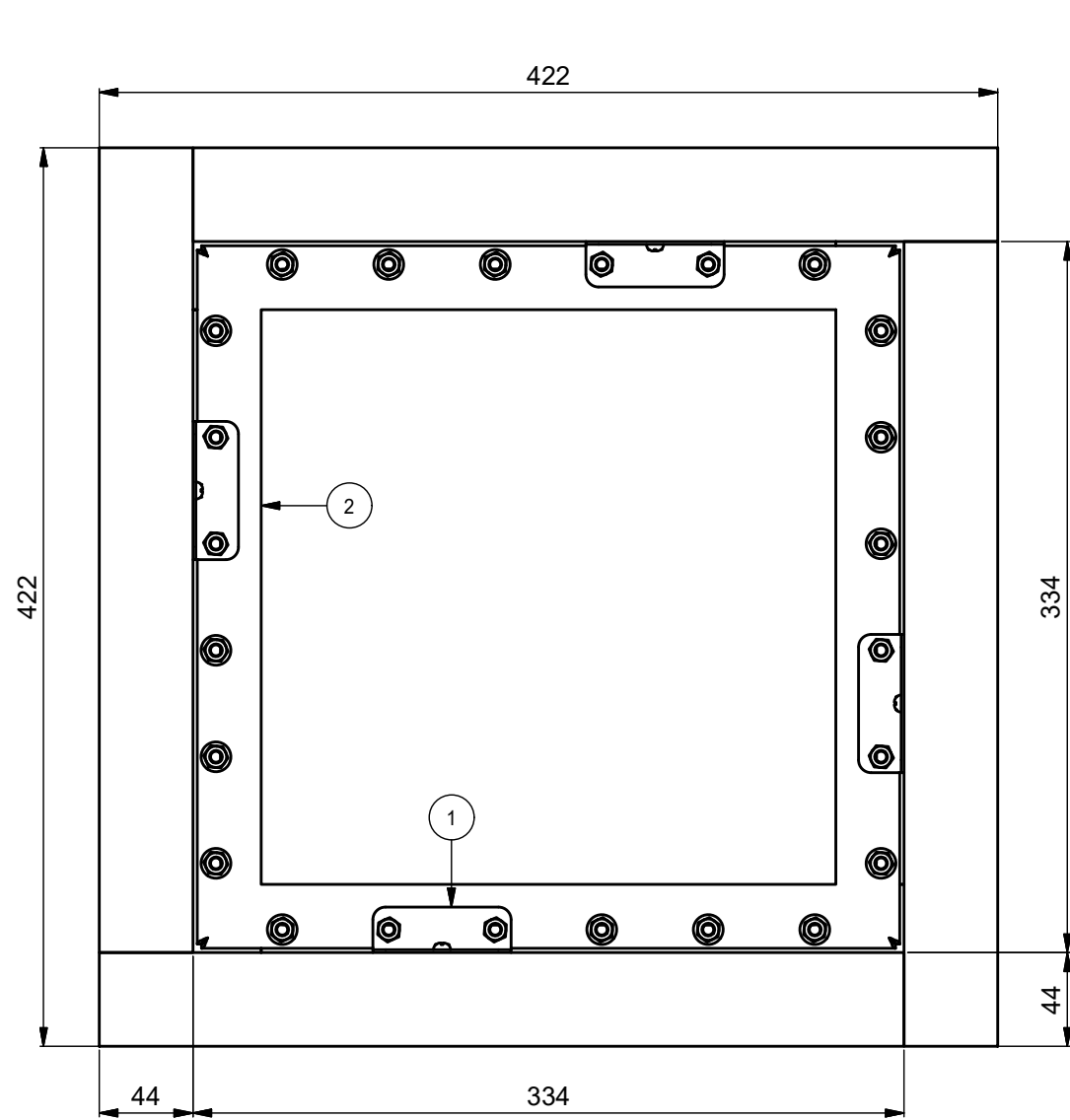
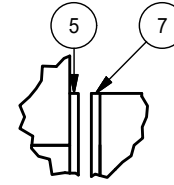
| | |
|---|------------------------|
| Project: 213120 - VUmc Interfaces | |
| Description: Honeycomb 18 GHz 150x150mm | |
| Title: DV-W-4 & 5 | Rev: - Date: 10/5/2017 |
| | State: Released |

This document remains property of Comtest Engineering B.V. No part of this document may be reproduced or transmitted in any form or by any means, electronic or mechanic (including photocopying) for any purpose without the written consent of Comtest Engineering B.V.

COMPANY CONFIDENTIAL

| Item | Qty | Title | Description |
|------|-----|----------------|--|
| 1 | 4 | 006-099 | Beugel voor HC hout montage HC zijde |
| 2 | 1 | 1791-3030 | Honeycomb Assembly 300x300 - 18 GHz |
| 3 | 4 | 500127 | Raised cheese head screw for chipboard 4x30 |
| 4 | 8 | 500200 | Countersunk head screw for chipboard 6x80 DIN 7982 |
| 5 | 1 | 500947-HC-3030 | Draught strip 12x12mm HC-3030 |
| 6 | 1 | HC-WB-300x300 | HC-WB-300x300 |
| 7 | 1 | HC-WBI-300x300 | Honeycomb Int. Wood Frame 300x300 |

Detail A



As Built

| Rev. | Date | Description | Designer | Checked by | Approved By |
|------|------------|---------------------------|----------|------------|-------------|
| - | 27-11-2017 | Released to manufacturing | Aram | Tizs | Thom |

| | |
|-------------------------------|-----------|
| COMTEST ENGINEERING | |
| Doc: AE0070722 | - |
| Eng: Aram | Sheet: A3 |
| Tol: ISO 2768-1m | Units: mm |
| Scale: 1 : 3.5 | |

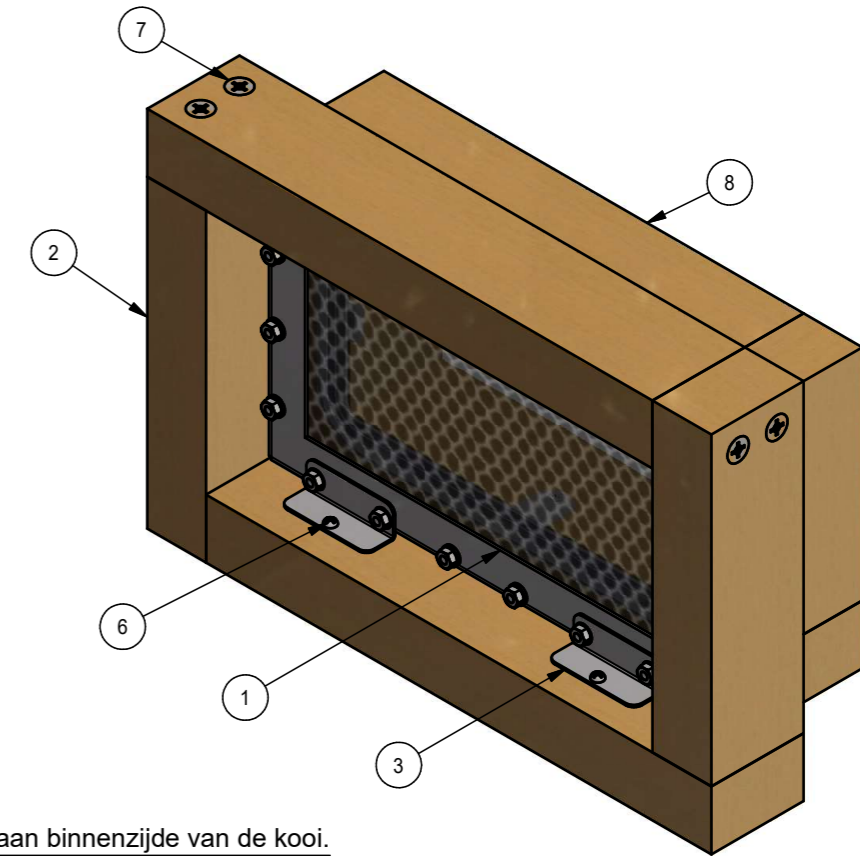
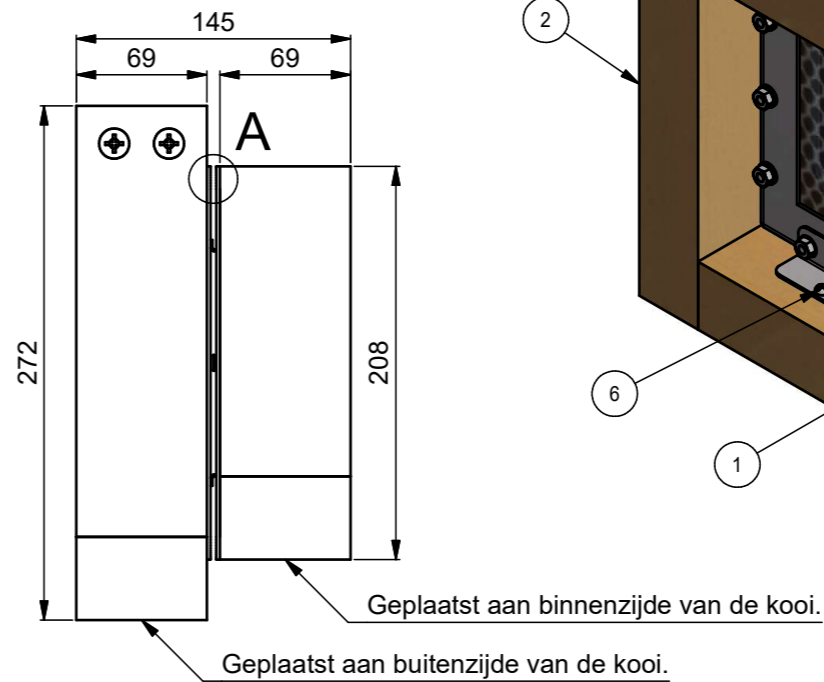
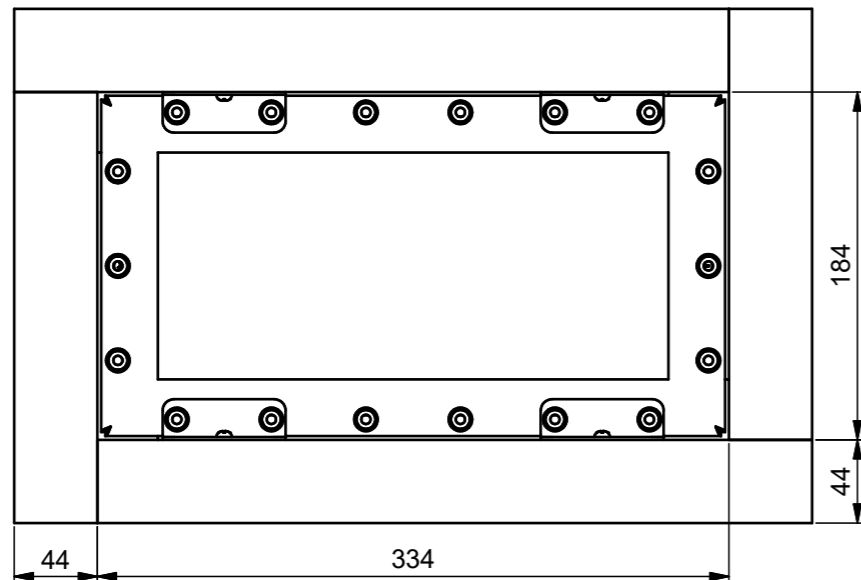
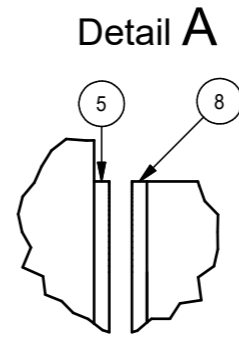
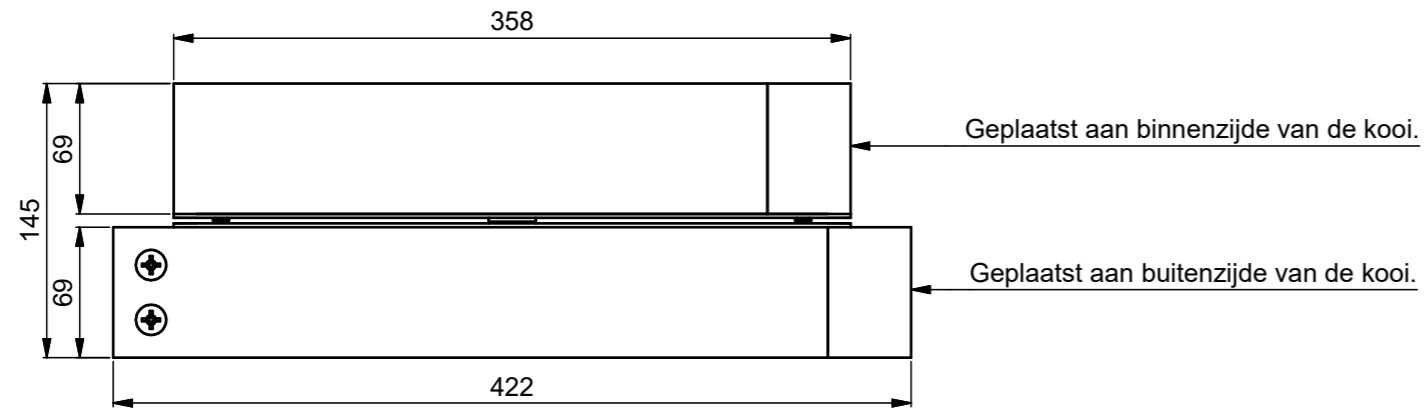
| | |
|---|-----------------|
| Project: 213120 - VuMC Interfaces | |
| Description: Honeycomb 18 GHz 300x300mm | |
| Title: DV-W-6 & 7 | Rev: - |
| Date: 15-10-2015 | State: Released |

This document remains property of Comtest Engineering B.V. No part of this document may be reproduced or transmitted in any form or by any means, electronic or mechanic (including photocopying) for any purpose without the written consent of Comtest Engineering B.V.

COMPANY CONFIDENTIAL

| Item | Qty | Title | Description |
|------|-----|----------------|--|
| 3 | 4 | 006-099 | Beugel voor HC hout montage HC zijde |
| 1 | 1 | 1791-3015 | Honeycomb Assembly 300x150 - 18 GHz |
| 6 | 4 | 500127 | Raised cheese head screw for chipboard 4x30 |
| 7 | 8 | 500200 | Countersunk head screw for chipboard 6x80 DIN 7982 |
| 5 | 1 | 500947-HC-3015 | Draught strip 12x12mm HC-3015 |
| 2 | 1 | HC-WB-300x150 | HC-WB-300x150 |
| 8 | 1 | HC-WBI-300x150 | Honeycomb Int. Wood Frame 300x150 |

Geen nabewerking
No extra finishing



As Built

COMTEST
ENGINEERING

Project: 213120 - VUmc Interfaces

Description: Honeycomb 18 GHz 300x150mm

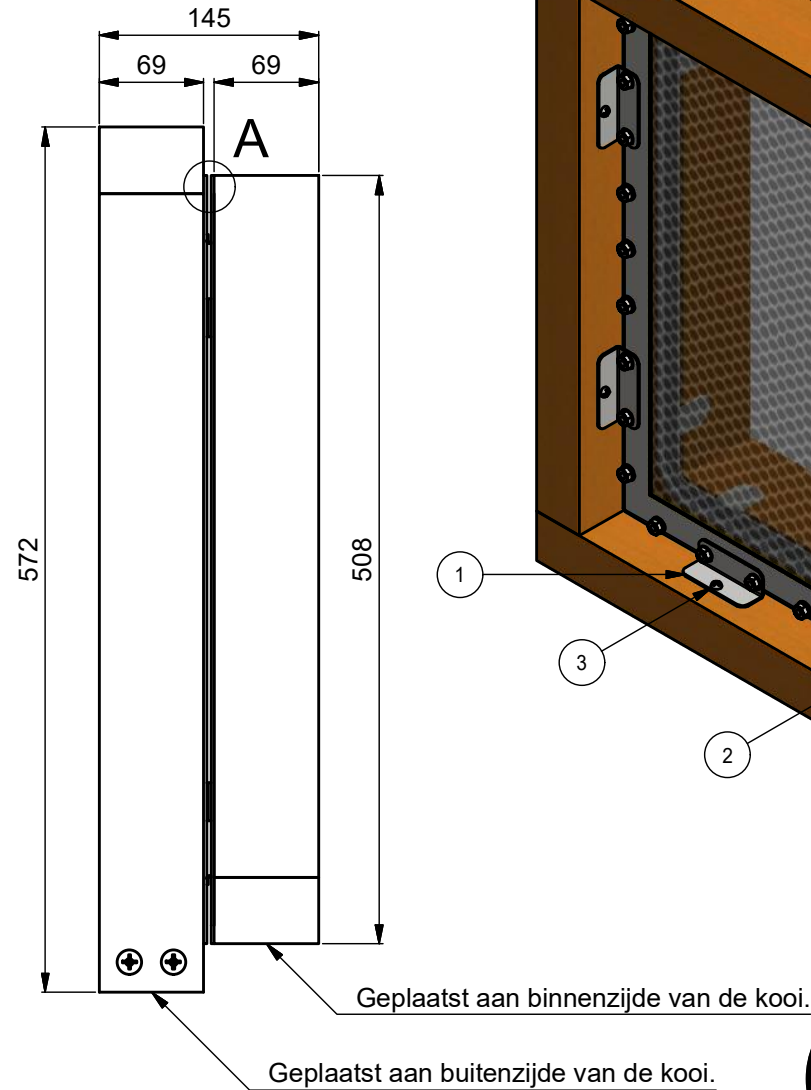
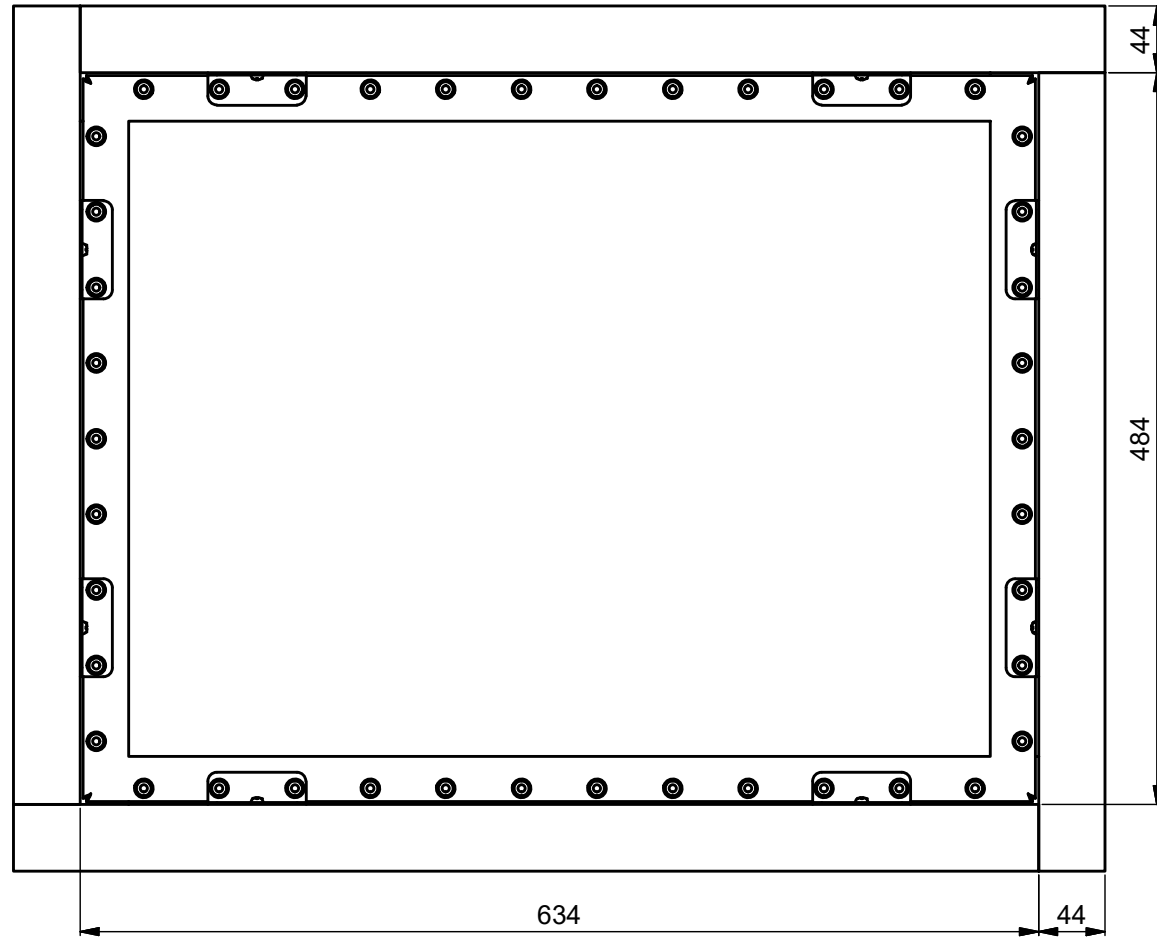
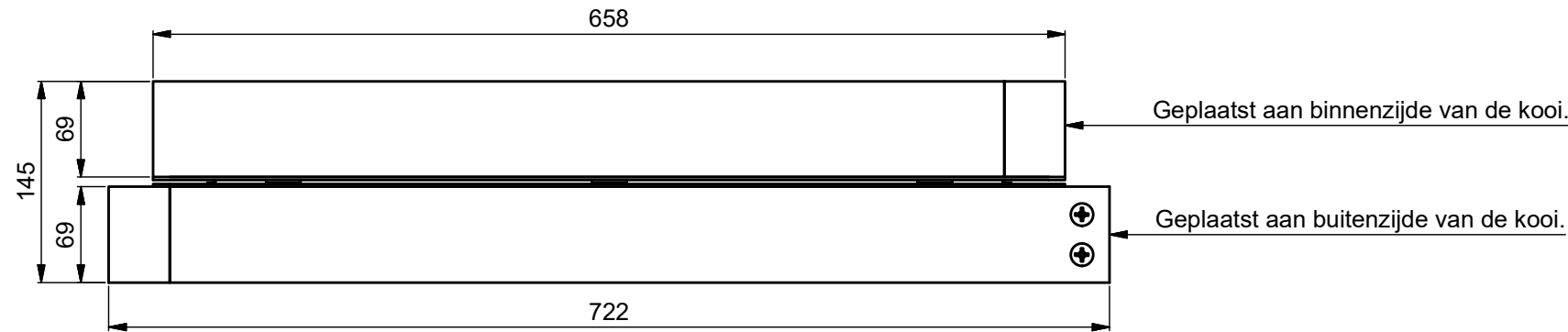
Title: DV-W-8
Rev: - Date: 5-10-2017
State: Quick-Change

| Rev. | Date | Description | Designer | Checked by | Approved By |
|------|------------|---------------------------|----------|------------|-------------|
| - | 11/27/2017 | Released to manufacturing | Aram | Tizs | Thom |

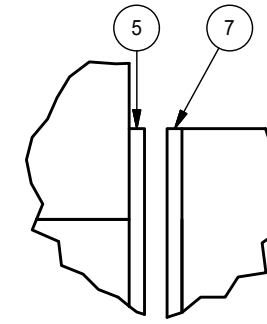
Doc: AE0070724 -
Eng: Aram Sheet: A3
Tol: ISO 2768-1m Units: mm Scale: 1 : 4

This document remains property of Comtest Engineering B.V. No part of this document may be reproduced or transmitted in any form or by any means, electronic or mechanic (including photocopying) for any purpose without the written consent of Comtest Engineering B.V.

COMPANY CONFIDENTIAL

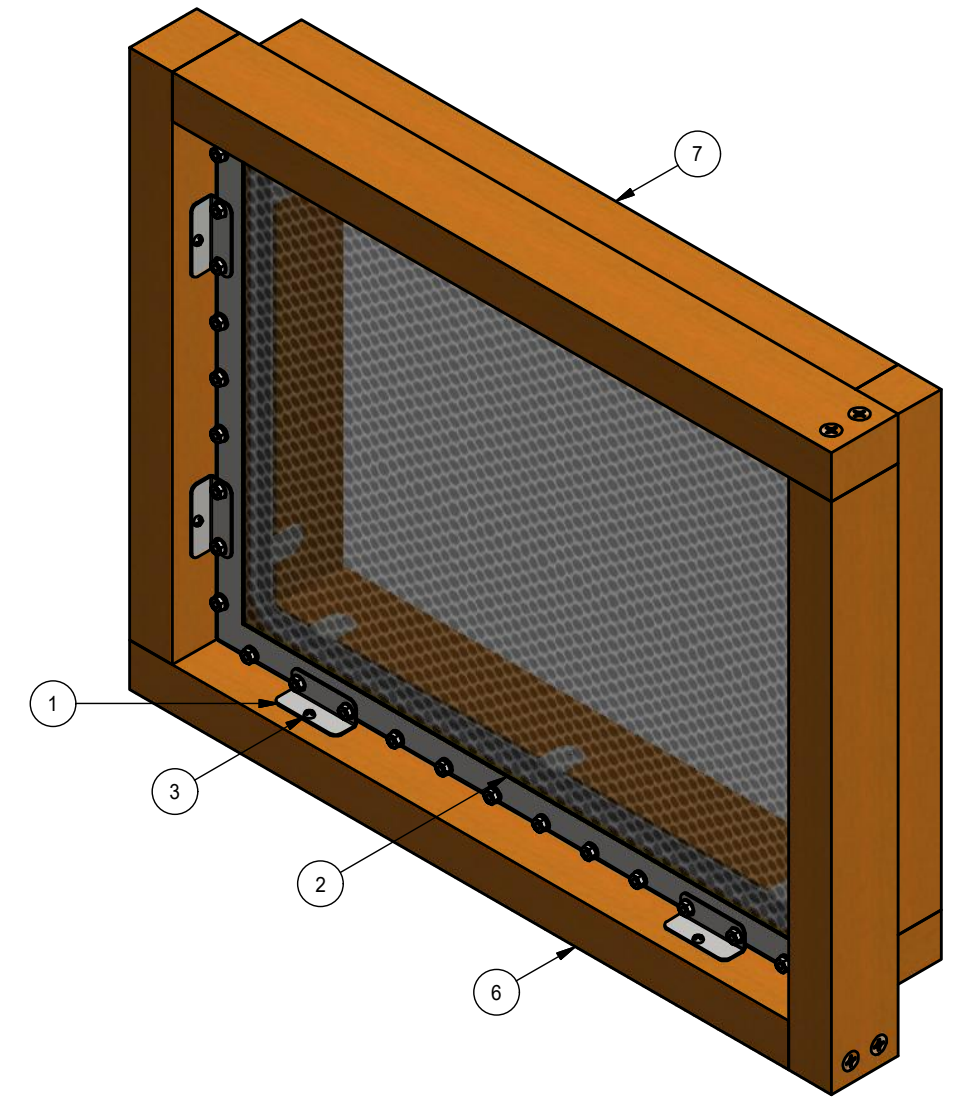


Detail A



| Item | Qty | Title | Description |
|------|-----|----------------|--|
| 1 | 8 | 006-099 | Beugel voor HC hout montage HC zijde |
| 2 | 1 | 1791-6045 | Honeycomb Assembly 600x450 - 18 GHz |
| 3 | 8 | 500127 | Raised cheese head screw for chipboard 4x30 |
| 4 | 8 | 500200 | Countersunk head screw for chipboard 6x80 DIN 7982 |
| 5 | 1 | 500947-HC-4560 | Draught strip 12x12mm HC-4560 |
| 6 | 1 | HC-WB-450x600 | HC-WB-450x600 |
| 7 | 1 | HC-WBI-650x450 | Honeycomb Int. Wood Frame 650x450 |

Geen nabewerking
No extra finishing



As Built



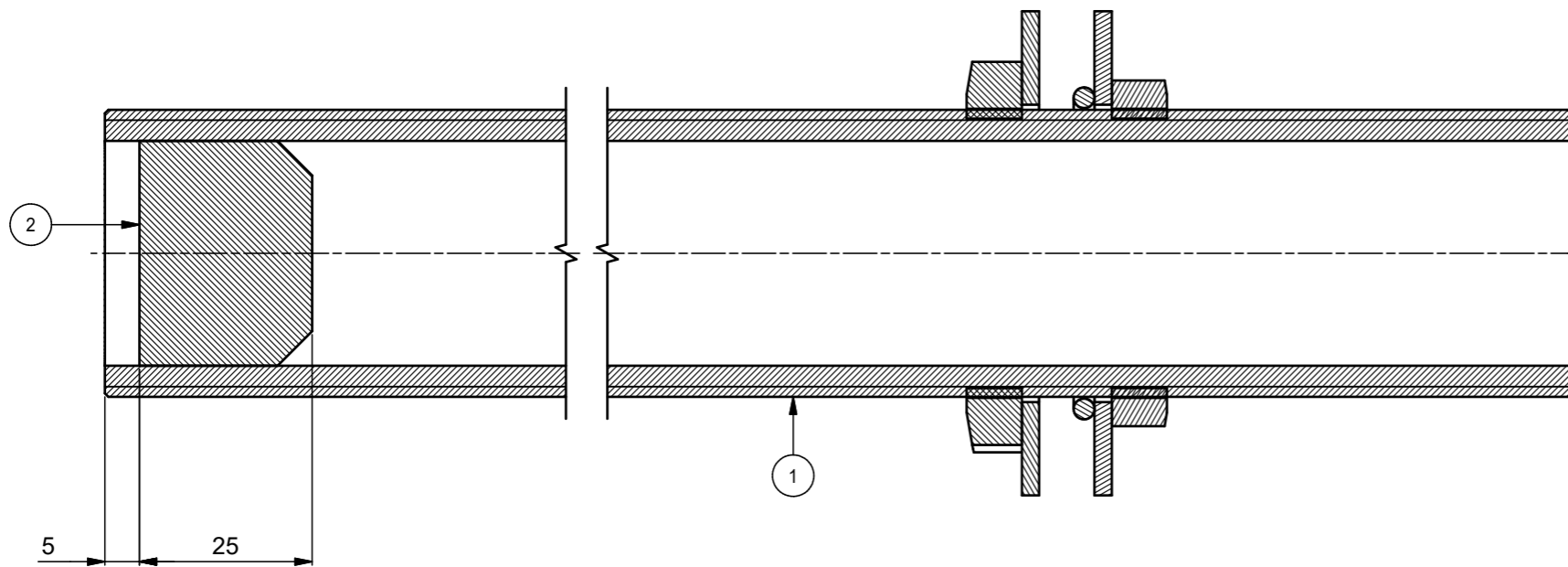
| | | | |
|--------------|-----------|----------------------------|----------|
| Project: | | 213120 - VUmc Interfaces | |
| Description: | | Honeycomb 18 GHz 450x600mm | |
| Title: | DV-W-9 | Rev: | - |
| Date: | 10/5/2017 | State: | Released |

| Rev. | Date | Description | Designer | Checked by | Approved By |
|------|------------|---------------------------|----------|------------|-------------|
| - | 11/27/2017 | Released to manufacturing | Aram | Tizs | Thom |

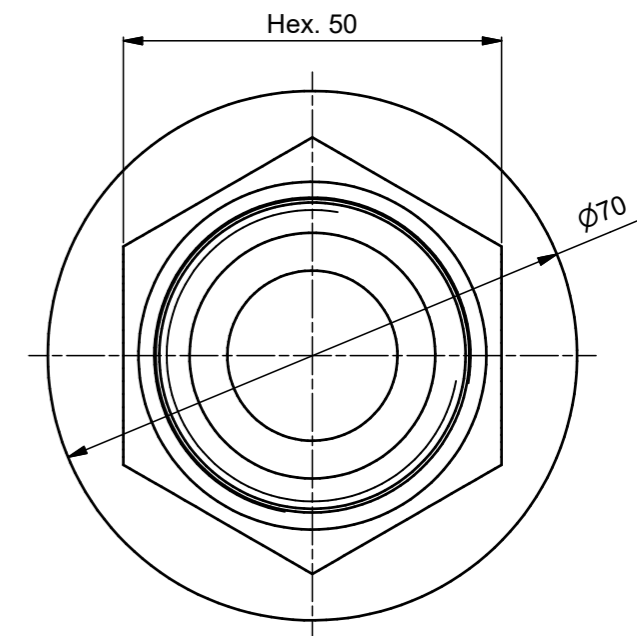
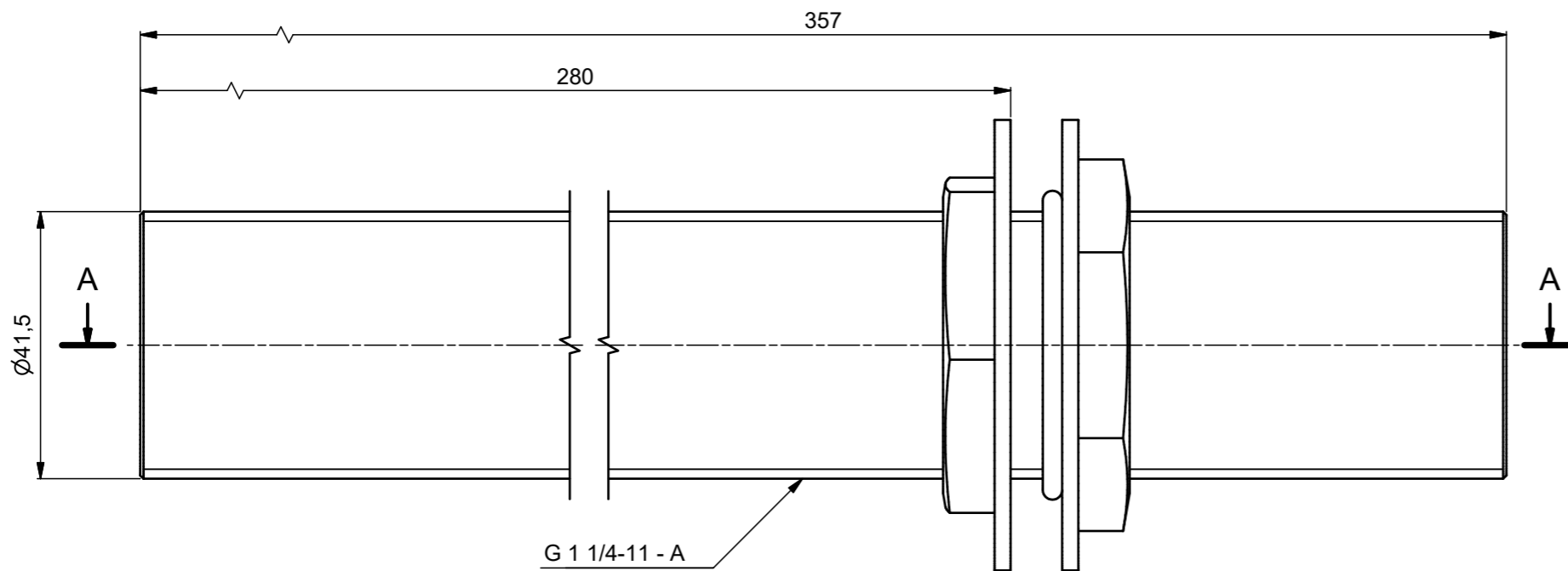
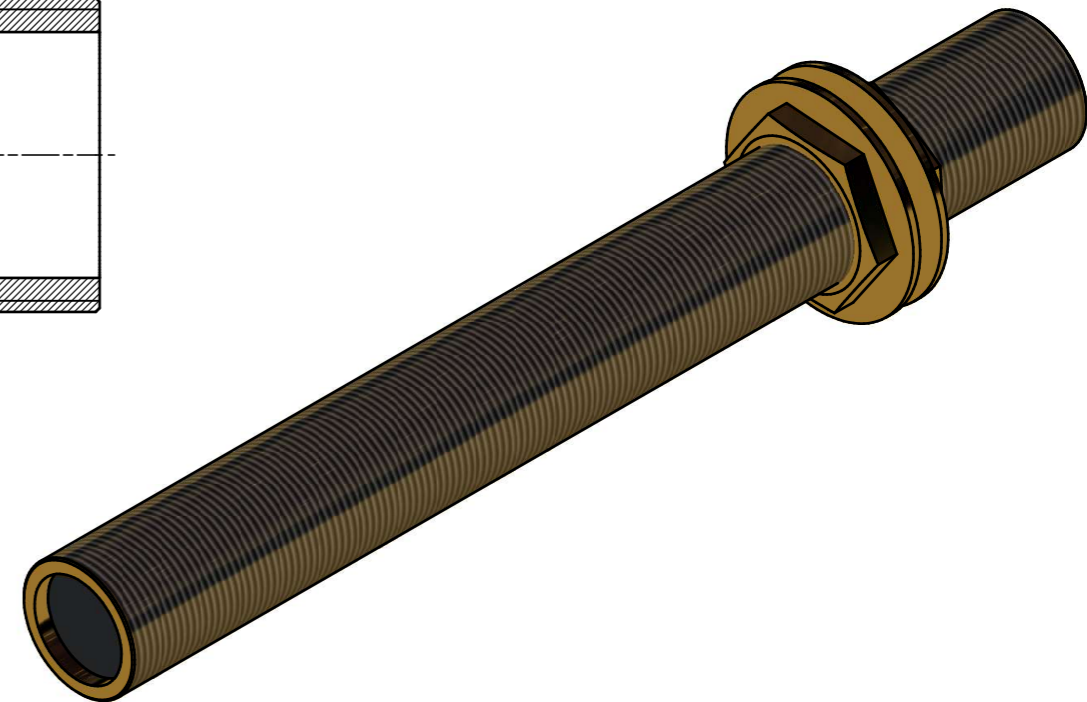
| | | | |
|------|-------------|-----------|--------------|
| Doc: | AE0070723 | - | |
| Eng: | Aram | Sheet: A3 | |
| Tol: | ISO 2768-1m | Units: mm | Scale: 1 : 5 |

| Item | Qty | Title | Description |
|------|-----|-------------|--------------------------------|
| 1 | 1 | DV-W-10-1 | Wave guide 1781-125 |
| 2 | 1 | 1781-126-HC | Honeycomb Grid - 40 GHz 1 1/4" |

Section A



Isometric view



As Built

COMTEST
ENGINEERING

Doc: AE0070731 -
Eng: Aram Sheet: A3
Tol: ISO 2768-1m Units: mm Scale: 1 : 1

Project: 213120 - VUmc Interfaces
Description: Sprinkler doorvoer
Title: DV-W-10
Rev: - Date: 10-1-2011
State: Quick-Change

| Rev. | Date | Description | Designer | Checked by | Approved By |
|------|------------|---------------------------|----------|------------|-------------|
| - | 11/27/2017 | Released to manufacturing | Aram | Tizs | Thom |

This document remains property of Comtest Engineering B.V. No part of this document may be reproduced or transmitted in any form or by any means, electronic or mechanic (including photocopying) for any purpose without the written consent of Comtest Engineering B.V.

COMPANY CONFIDENTIAL