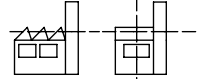


American Projection



Scale : 1:40 A4

Units : mm

Date : 5-12-2016

Drawn : Jip Spijker

Project: Haltevoorzieningen Metro

Filename: GA-HM-Shelter

Material :
 Mass : grams
 Thickness :
 Finish :

Remarks :

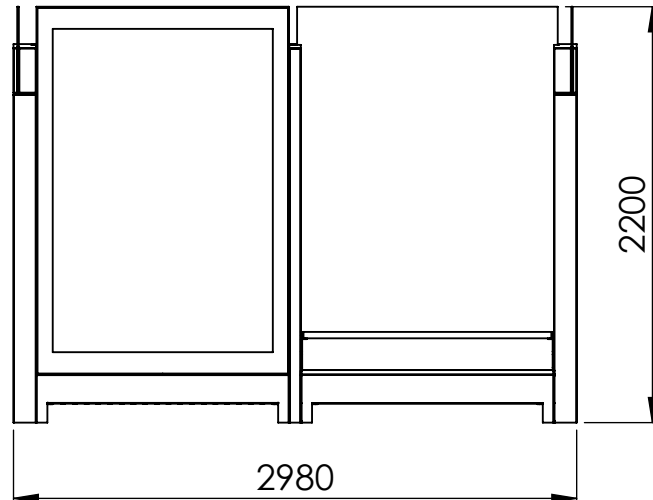
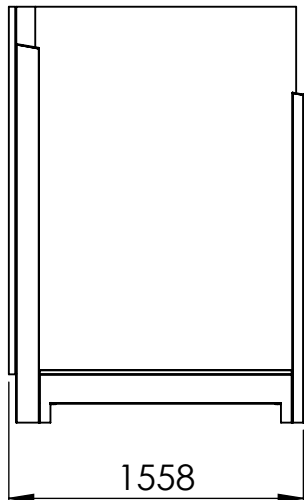
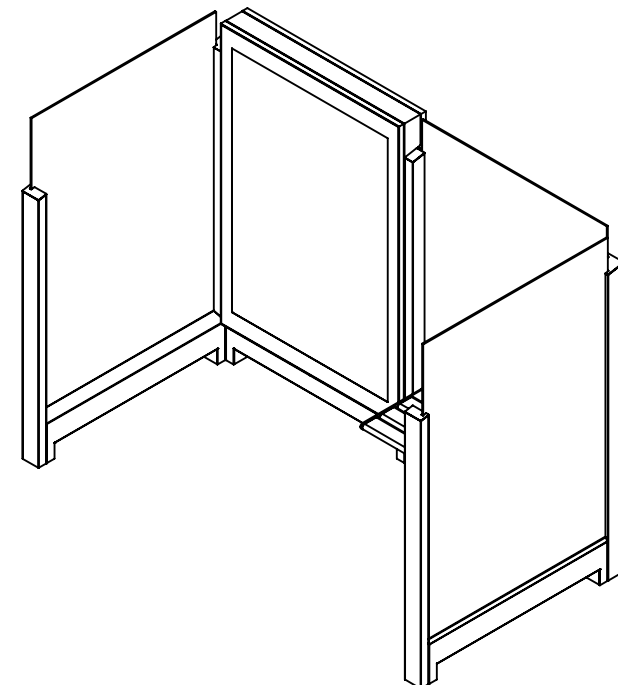
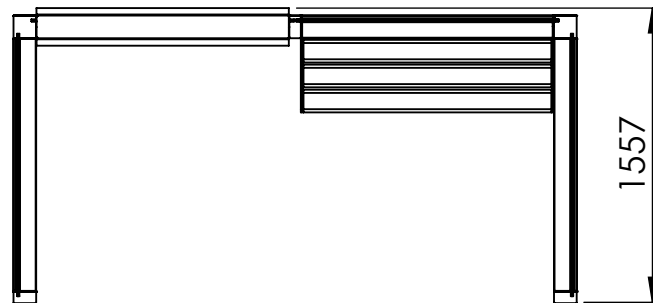
FABRIQUE
 Public Design

Tel +31 15 2127758
 info@fabrique3d.nl

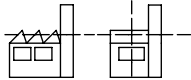
Drawing Name :
 GA-HM-Screen

Part-Assem number :

Sheet number :
 1 of 15



American Projection



Scale : 1:40 A4

Units : mm

Date : 5-12-2016

Drawn : Jip Spijker

Project: Haltevoorzieningen Metro

Filename: GA-HM-Shelter

Material :
 Mass : grams
 Thickness :
 Finish :

Remarks :

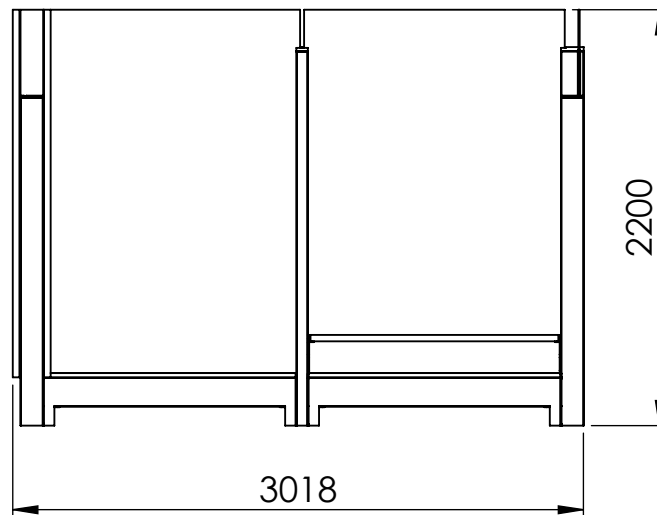
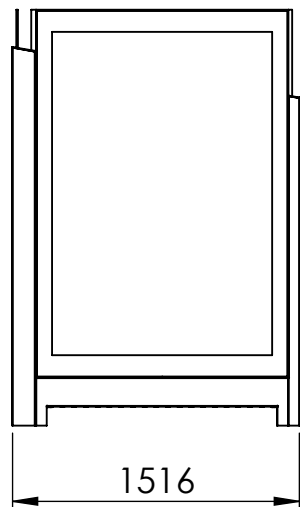
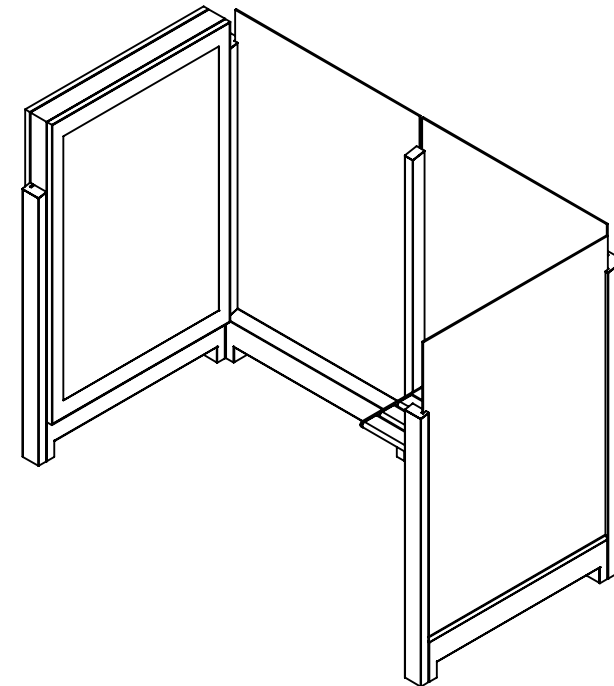
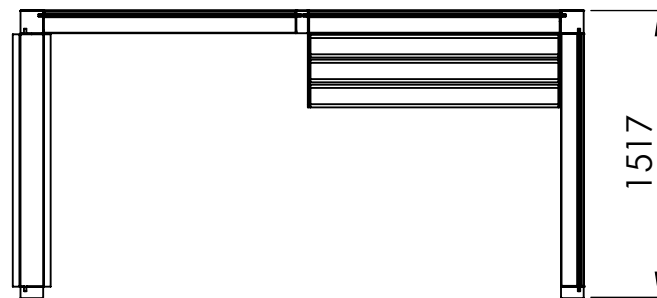
FABRIQUE
 Public Design

Tel +31 15 2127758
 info@fabrique3d.nl

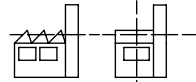
Drawing Name :
GA-HM-Screen Pub Back

Part-Assem number :

Sheet number :
2 of 15



American Projection



Scale : 1:40 A4

Units : mm

Date : 5-12-2016

Drawn : Jip Spijker

Project: Haltevoorzieningen Metro

Filename: GA-HM-Shelter

Material :
 Mass : grams
 Thickness :
 Finish :

Remarks :

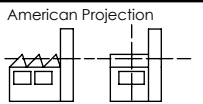
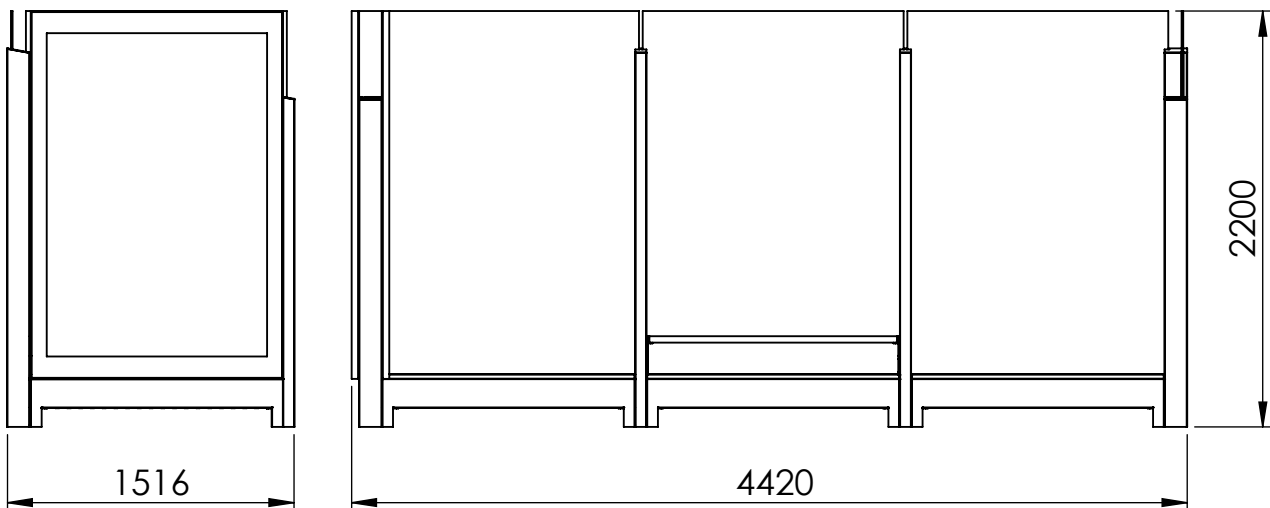
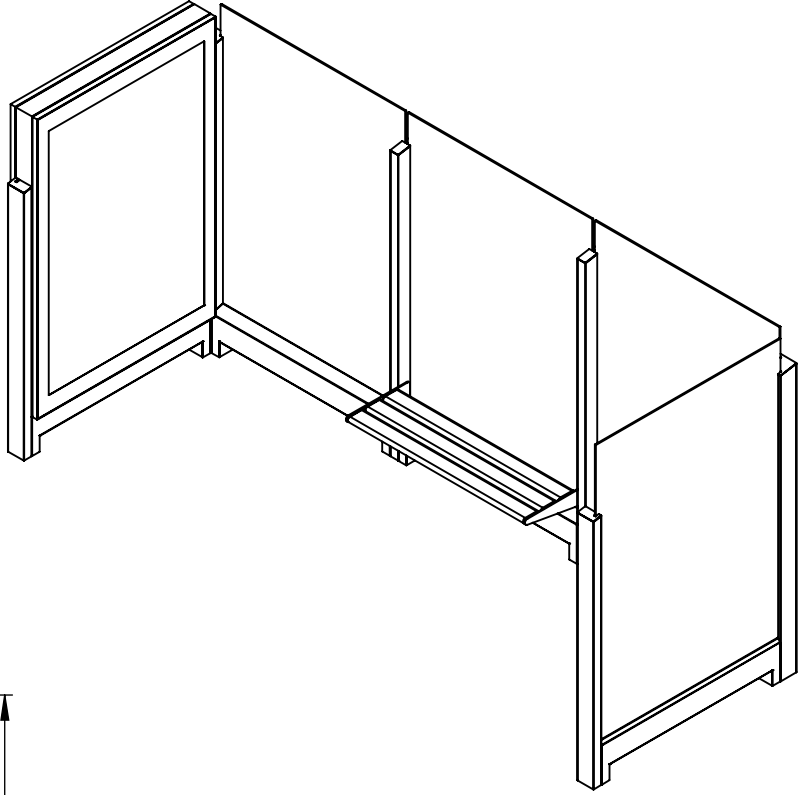
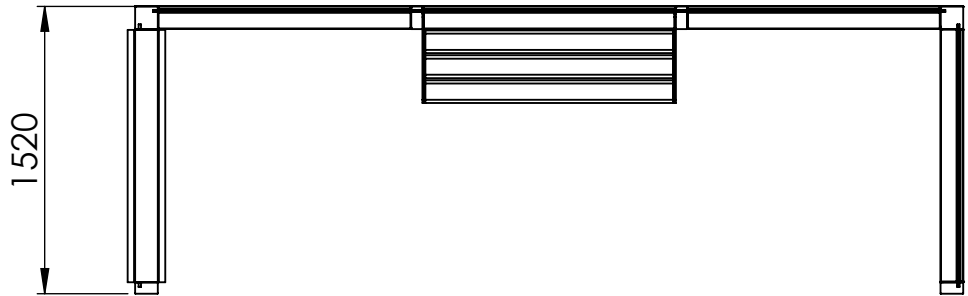
FABRIQUE
 Public Design

Tel +31 15 2127758
 info@fabrique3d.nl

Drawing Name :
 GA-HM-Screen Pub Side

Part-Assem number :

Sheet number :
 3 of 15



American Projection
 Scale : 1:40 A4
 Units : mm
 Date : 5-12-2016

Drawn : Jip Spijker
 Project: Haltevoorzieningen Metro
 Filename: GA-HM-Shelter

Material :
 Mass : grams
 Thickness :
 Finish :

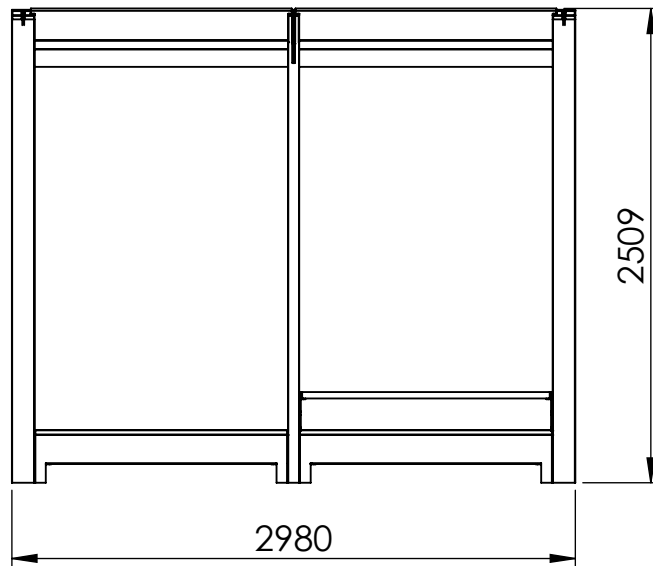
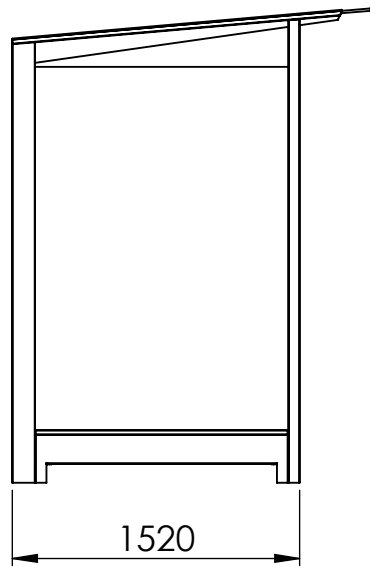
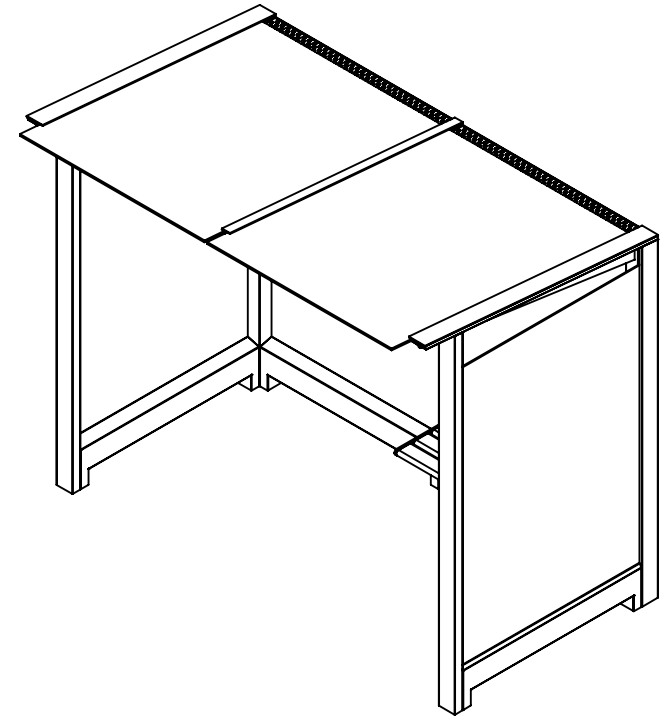
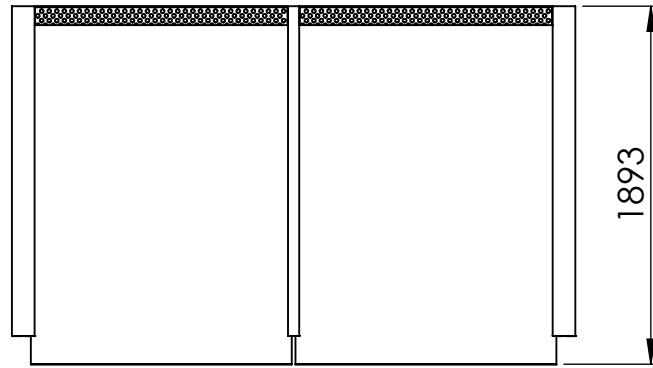
Remarks :

FABRIQUE Public Design
 Tel +31 15 2127758
 info@fabrique3d.nl

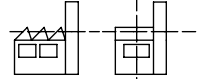
Drawing Name :
GA-HM-Screen Pub Side 3Bay

Part-Assem number :

Sheet number :
4 of 15



American Projection



Scale : 1:40 A4

Units : mm

Date : 5-12-2016

Drawn : Jip Spijker

Project: Haltevoorzieningen Metro

Filename: GA-HM-Shelter

Material :
 Mass : grams
 Thickness :
 Finish :

Remarks :

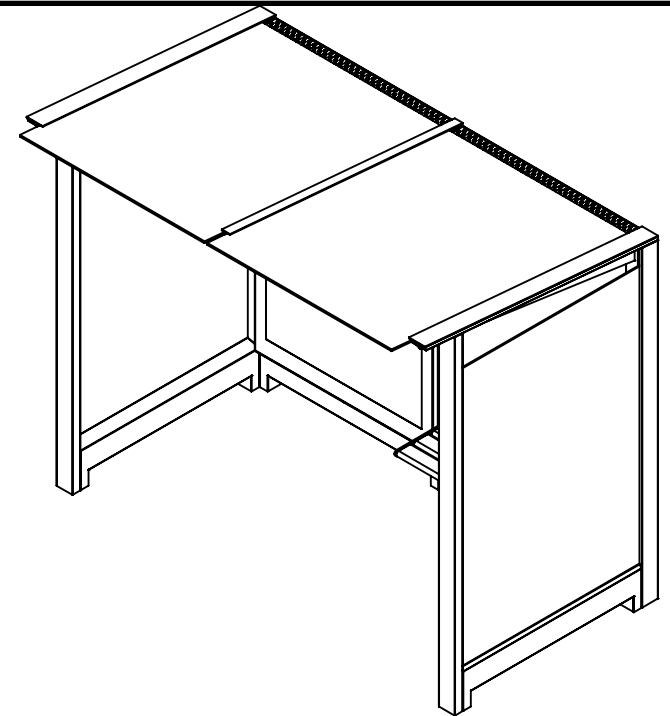
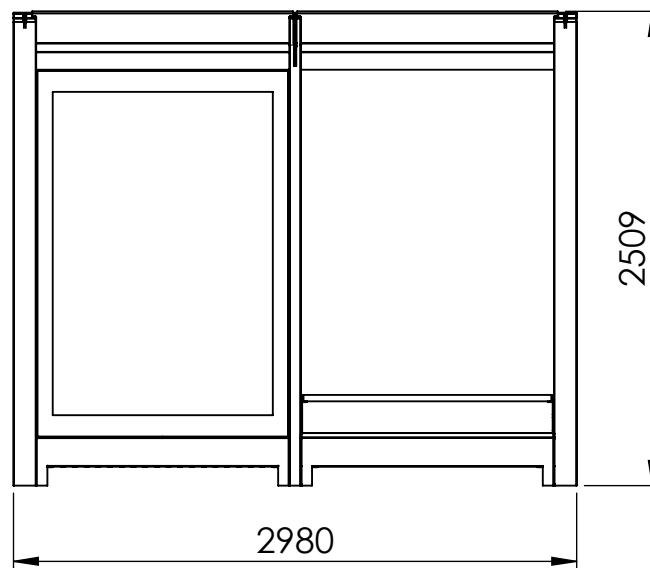
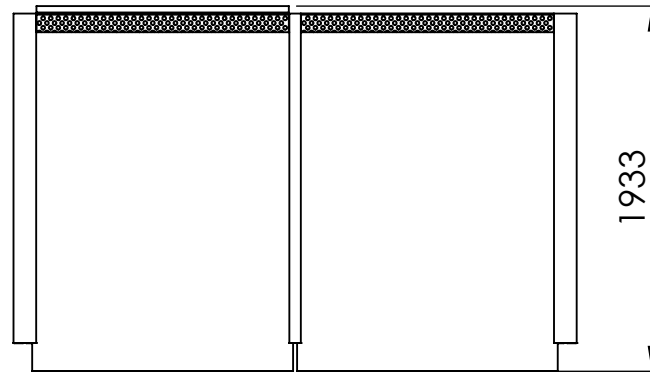
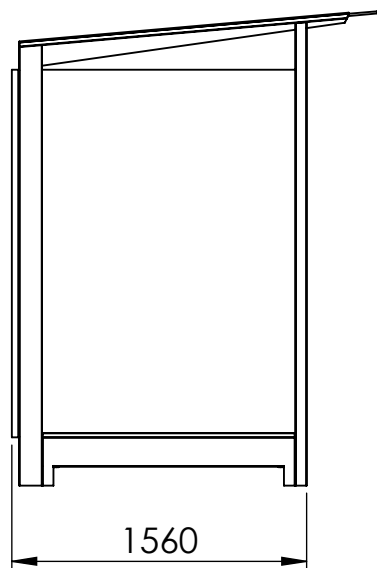
FABRIQUE
 Public Design

Tel +31 15 2127758
 info@fabrique3d.nl

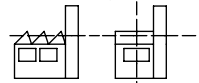
Drawing Name :
 GA-HM-Shelter

Part-Assem number :

Sheet number :
 5 of 15



American Projection



Scale : 1:40 A4

Units : mm

Date : 5-12-2016

Drawn : Jip Spijker

Project: Haltevoorzieningen Metro

Filename: GA-HM-Shelter

Material :
 Mass : grams
 Thickness :
 Finish :

Remarks :

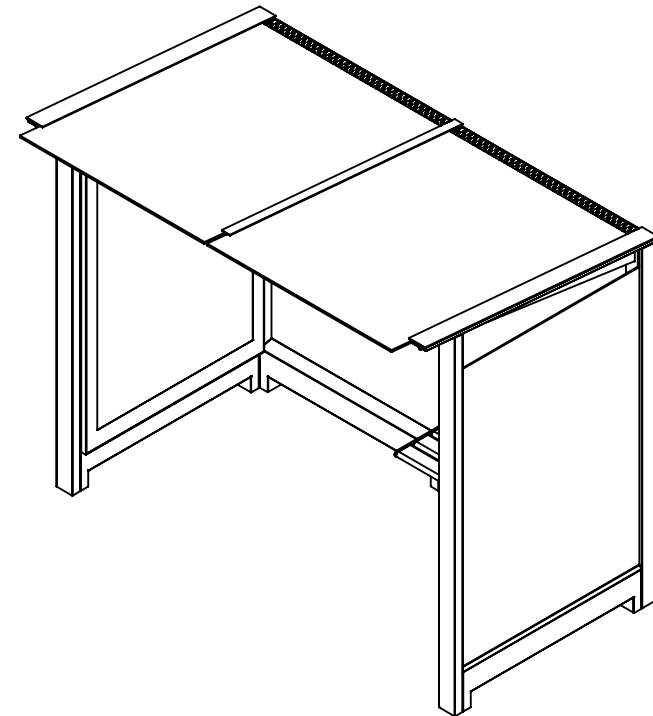
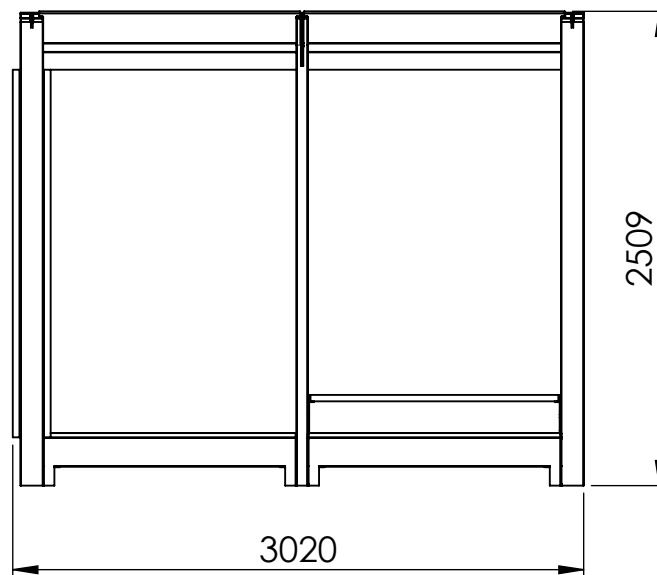
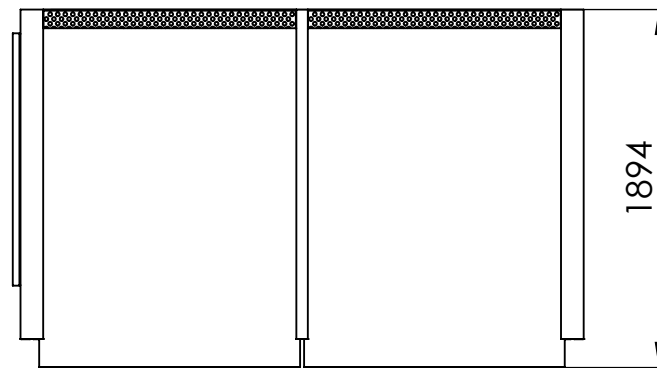
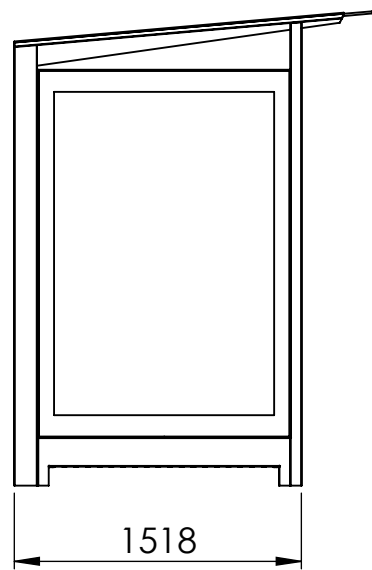
FABRIQUE
 Public Design

Tel +31 15 2127758
 info@fabrique3d.nl

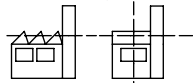
Drawing Name :
 GA-HM-Shelter Pub Back

Part-Assem number :

Sheet number :
 6 of 15



American Projection



Scale : 1:40 A4

Units : mm

Date : 5-12-2016

Drawn : Jip Spijker

Project: Haltevoorzieningen Metro

Filename: GA-HM-Shelter

Material :
 Mass : grams
 Thickness :
 Finish :

Remarks :

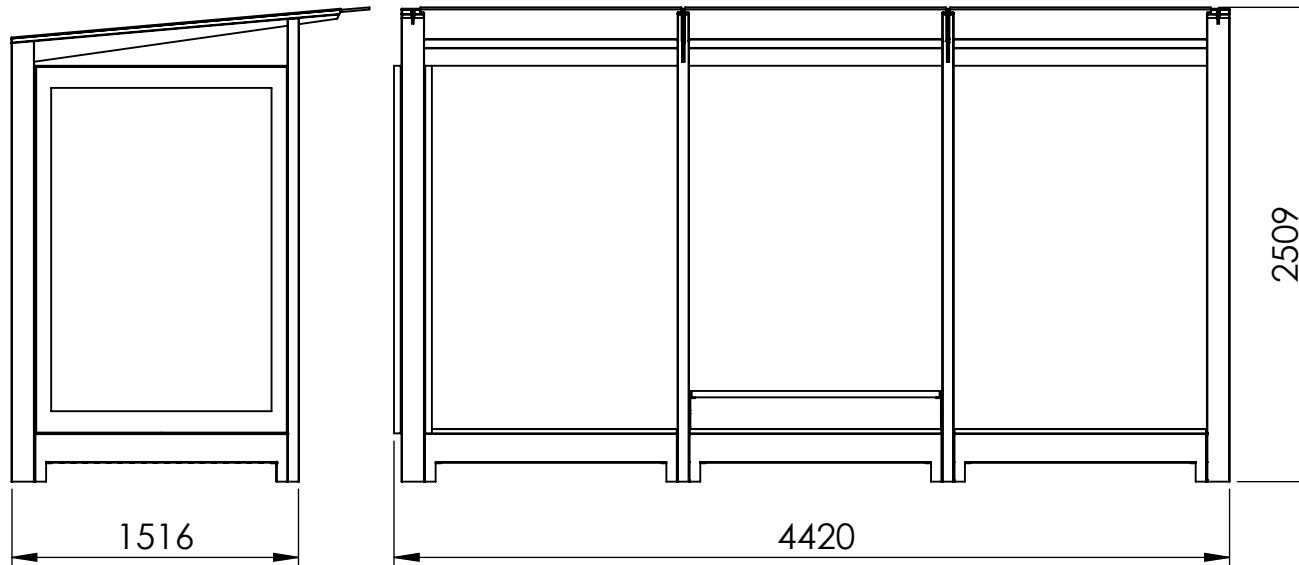
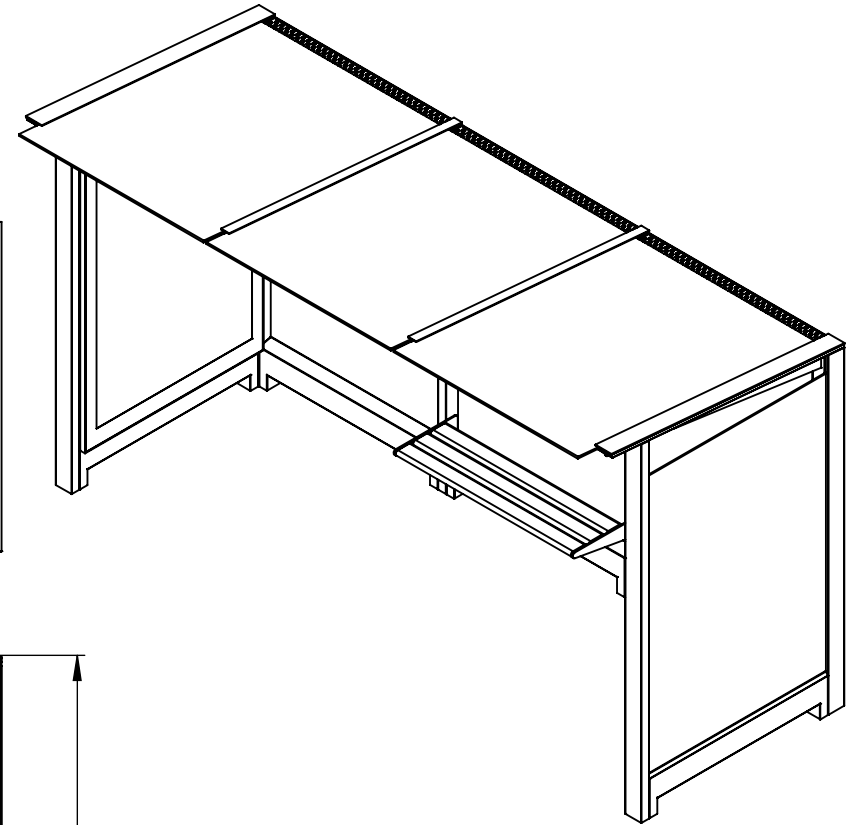
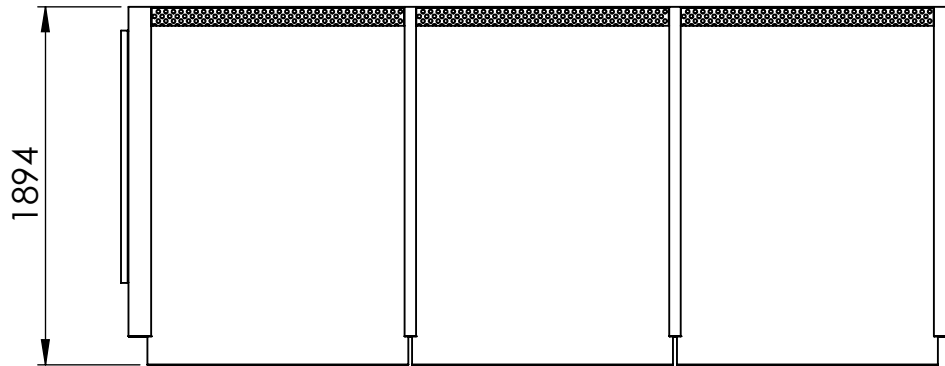
FABRIQUE
 Public Design

Tel +31 15 2127758
 info@fabrique3d.nl

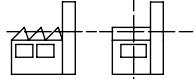
Drawing Name :
 GA-HM-Shelter Pub Side

Part-Assem number :

Sheet number :
 7 of 15



American Projection



Scale : 1:40 A4

Units : mm

Date : 5-12-2016

Drawn : Jip Spijker

Project: Haltevoorzieningen Metro

Filename: GA-HM-Shelter

Material :
 Mass : grams
 Thickness :
 Finish :

Remarks :

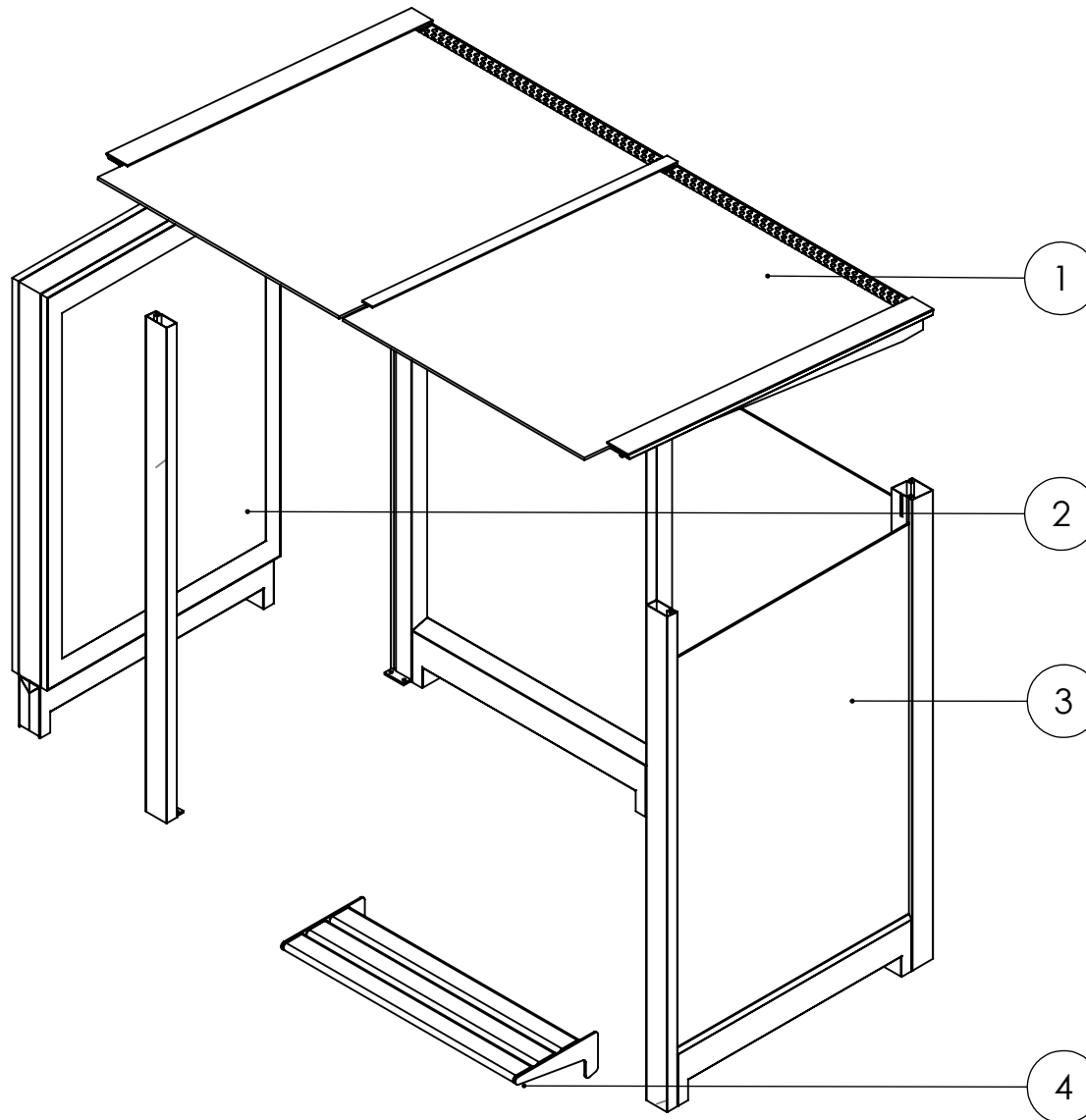
FABRIQUE
 Public Design

Tel +31 15 2127758
 info@fabrique3d.nl

Drawing Name :
 GA-HM-Shelter Pub Side 3Bay

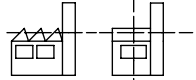
Part-Assem number :

Sheet number :
 8 of 15



ITEM NO.	DESCRIPTION	QTY.
1	GA-HM-Roof	1
2	GA-HM-Posterbox	1
3	GA-HM-Substructure	1
4	GA-HM-Bench	1

American Projection



Scale : 1:30 A4

Units : mm

Date : 5-12-2016

Drawn : Jip Spijker

Project: Haltevoorzieningen Metro

Filename: GA-HM-Shelter

Material :
 Mass : grams
 Thickness :
 Finish :

Remarks :

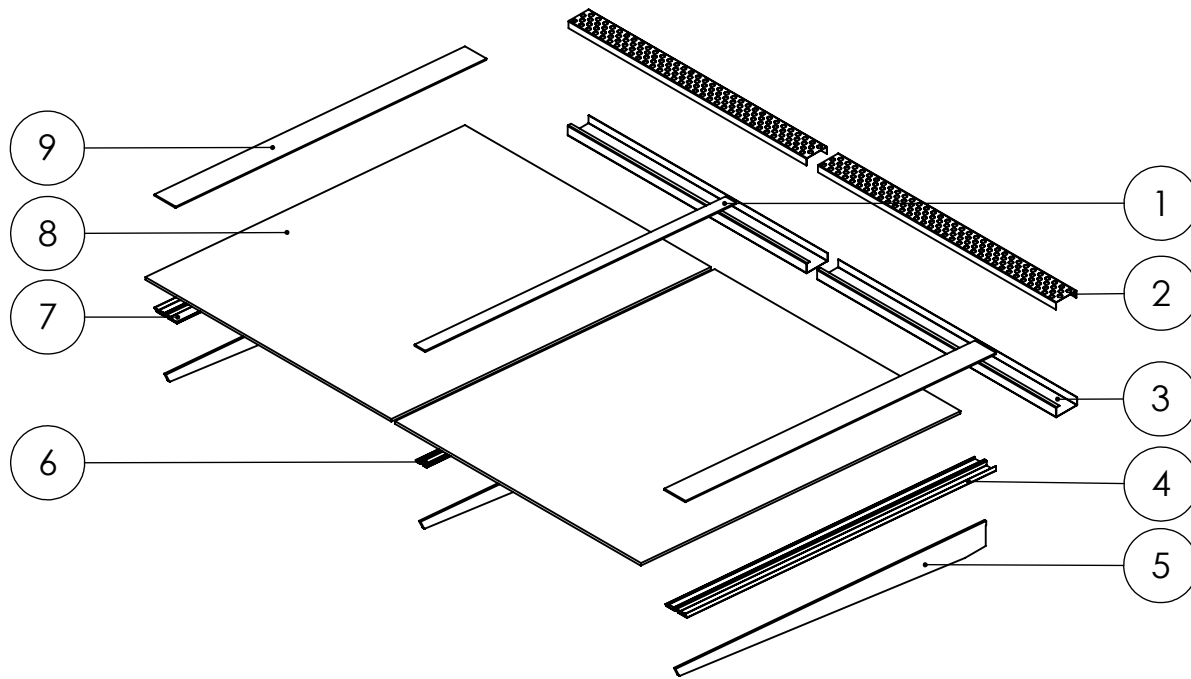
FABRIQUE
 Public Design

Tel +31 15 2127758
 info@fabrique3d.nl

Drawing Name :
 GA-HM-Shelter Pub Side

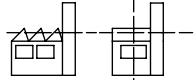
Part-Assem number :

Sheet number :
 9 of 15



ITEM NO.	DESCRIPTION	QTY.
1	GA-HM-Roof glass strip Mid	1
2	GA-HM-Gutter mesh	2
3	GA-HM-Gutter	2
4	GA-HM-Roof Glass support R	1
5	GA-HM-Roofbeam	3
6	GA-HM-Roof Glass support M	1
7	GA-HM-Roof Glass support L	1
8	GA-HM-Roof glass	2
9	GA-HM-Roof glass strip Side	2

American Projection



Scale : 1:30 A4

Units : mm

Date : 5-12-2016

Drawn : Jip Spijker

Project: Haltevoorzieningen Metro

Filename: GA-HM-Shelter

Material :
 Mass : grams
 Thickness :
 Finish :

Remarks :

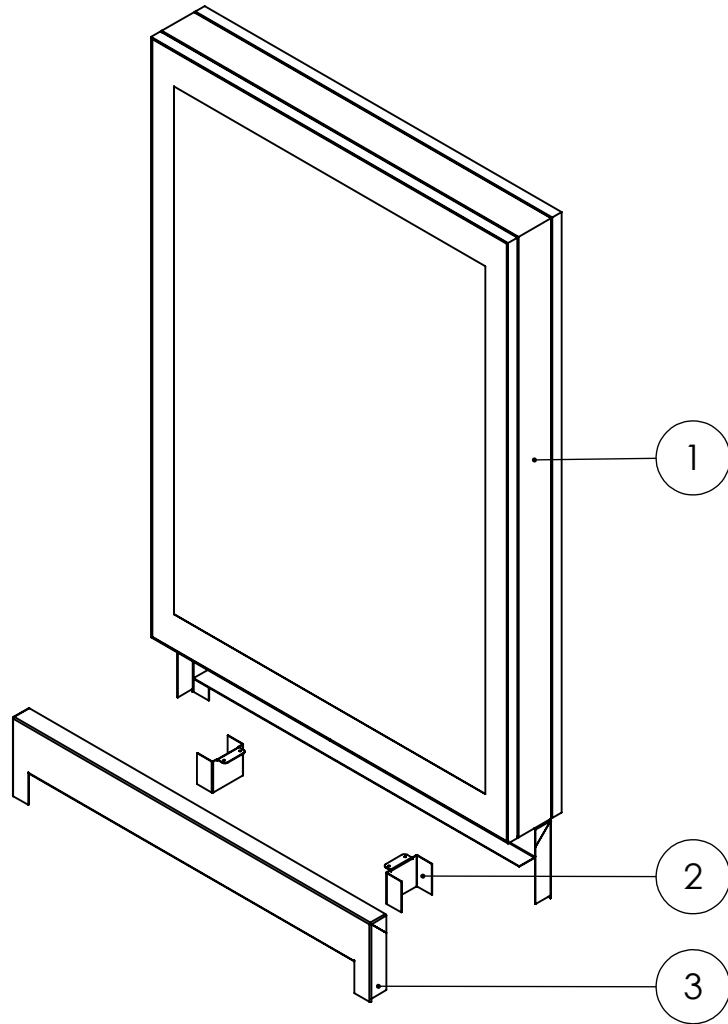
FABRIQUE
 Public Design

Tel +31 15 2127758
 info@fabrique3d.nl

Drawing Name :
GA-HM-Roof

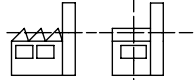
Part-Assem number :

Sheet number :
10 of 15



ITEM NO.	DESCRIPTION	QTY.
1	GA-HM-Posterbox	1
2	GA-HM-Wall cover	2
3	GA-HM-Wallpart PB	2

American Projection



Scale : 1:20 A4

Units : mm

Date : 5-12-2016

Drawn : Jip Spijker

Project: Haltevoorzieningen Metro

Filename: GA-HM-Shelter

Material :
 Mass : grams
 Thickness :
 Finish :

Remarks :

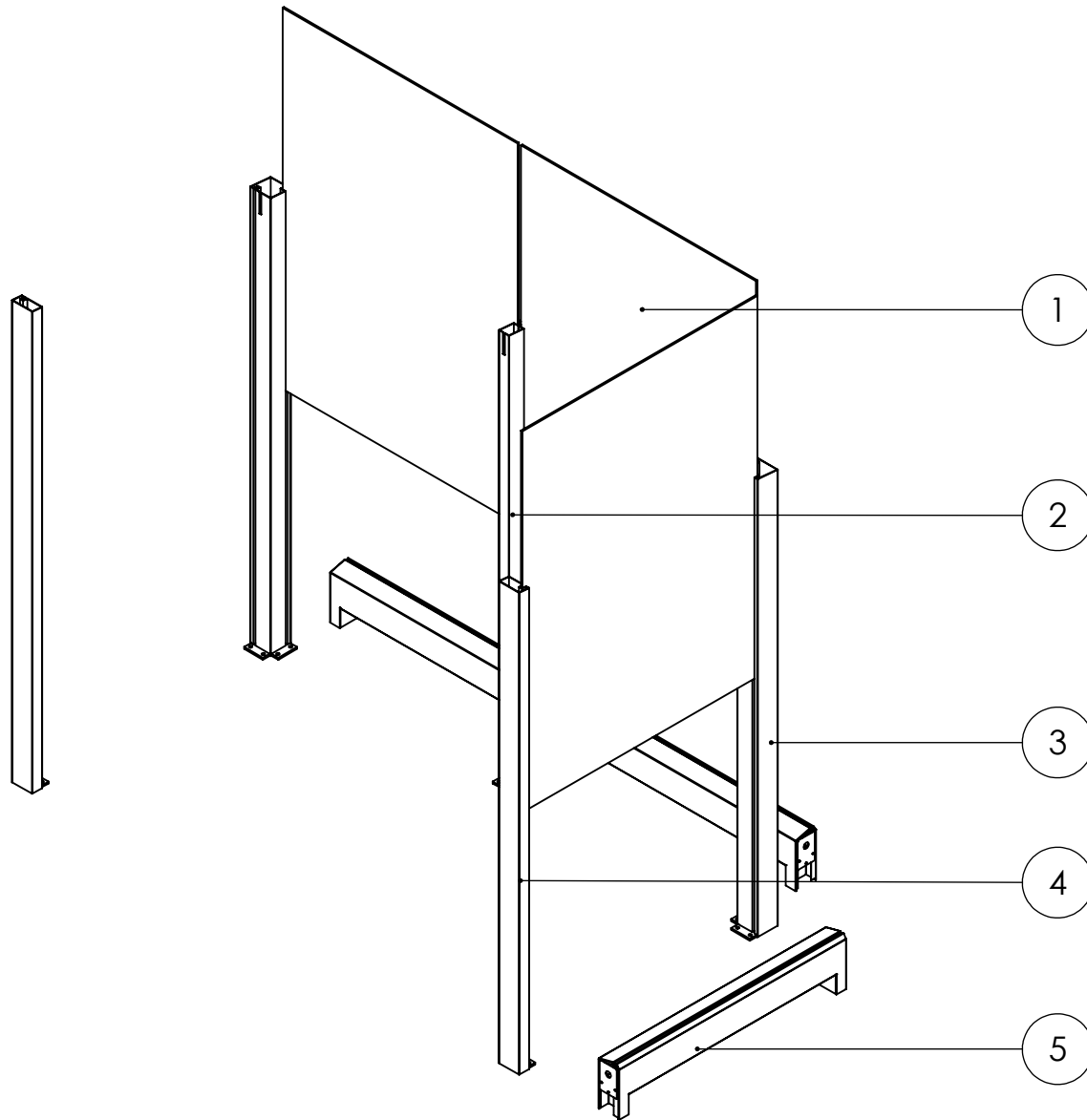
FABRIQUE
 Public Design

Tel +31 15 2127758
 info@fabrique3d.nl

Drawing Name :
 GA-HM-Posterbox

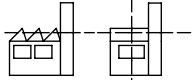
Part-Assem number :

Sheet number :
 11 of 15



ITEM NO.	DESCRIPTION	QTY.
1	GA-HM-Glass module	3
2	GA-HM-Support 180	1
3	GA-HM-Support 90	2
4	GA-HM-Support 360	2
5	GA-HM-Wallmodule	3

American Projection



Scale : 1:30 A4

Units : mm

Date : 5-12-2016

Drawn : Jip Spijker

Project: Haltevoorzieningen Metro

Filename: GA-HM-Shelter

Material :
 Mass : grams
 Thickness :
 Finish :

Remarks :

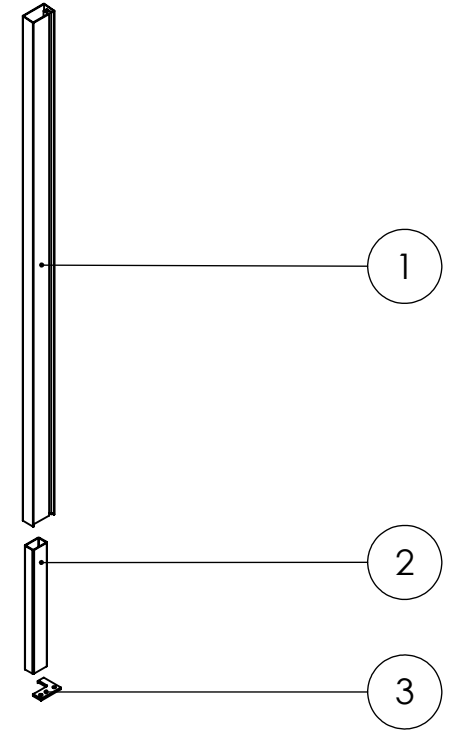
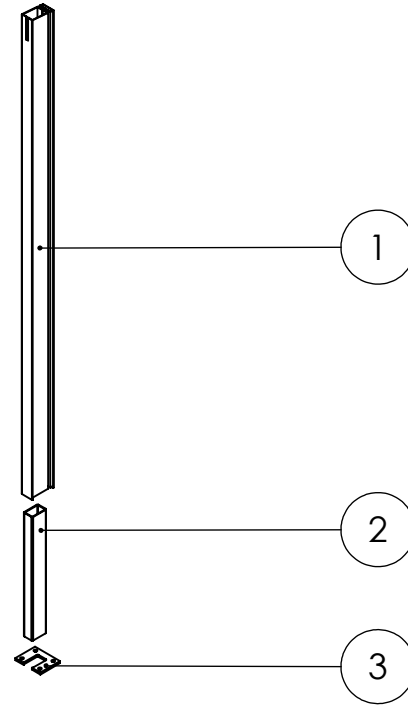
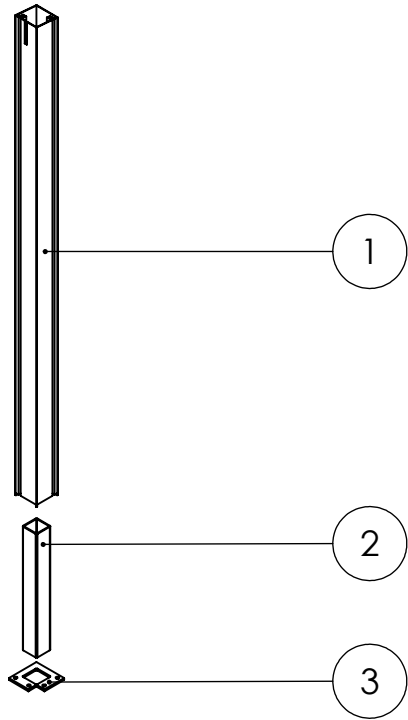
FABRIQUE
Public Design

Tel +31 15 2127758
 info@fabrique3d.nl

Drawing Name :
GA-HM-Substructure

Part-Assem number :

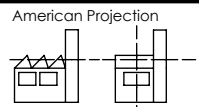
Sheet number :
12 of 15



ITEM NO.	DESCRIPTION	QTY.
1	GA-HM-Support profile 90	1
2	GA-HM-Pivot	1
3	GA-HM-Footplate	1

ITEM NO.	DESCRIPTION	QTY.
1	GA-HM-Support profile 180 Shelter	1
2	GA-HM-Pivot2	1
3	GA-HM-Footplate2	1

ITEM NO.	DESCRIPTION	QTY.
1	GA-HM-Support profile 360	1
2	GA-HM-Pivot2	1
3	GA-HM-Footplate3	1



Scale : 1:30 A4
 Units : mm
 Date : 5-12-2016

Drawn : Jip Spijker
 Project: Haltevoorzieningen Metro
 Filename: GA-HM-Shelter

Material :
 Mass : grams
 Thickness :
 Finish :

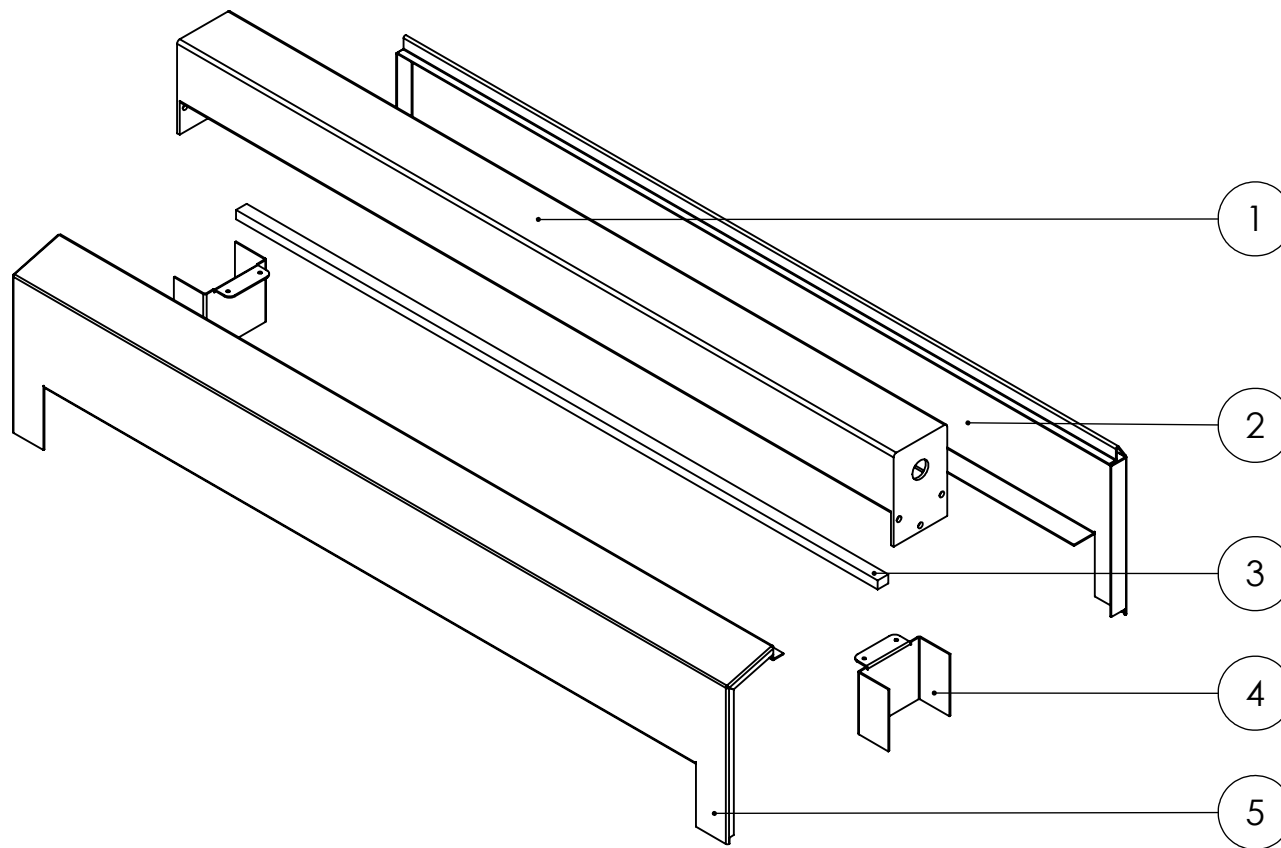
Remarks :

FABRIQUE Public Design
 Tel +31 15 2127758
 info@fabrique3d.nl

Drawing Name :
GA-HM-Support 90

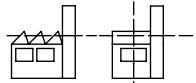
Part-Assem number :

Sheet number :
13 of 15



ITEM NO.	DESCRIPTION	QTY.
1	GA-HM-Crossbeam	1
2	GA-HM-Wallpart2	1
3	GA-HM-Ledline	1
4	GA-HM-Wall cover	2
5	GA-HM-Wallpart	1

American Projection



Scale : 1:10 A4

Units : mm

Date : 5-12-2016

Drawn : Jip Spijker

Project: Haltevoorzieningen Metro

Filename: GA-HM-Shelter

Material :
 Mass : grams
 Thickness :
 Finish :

Remarks :

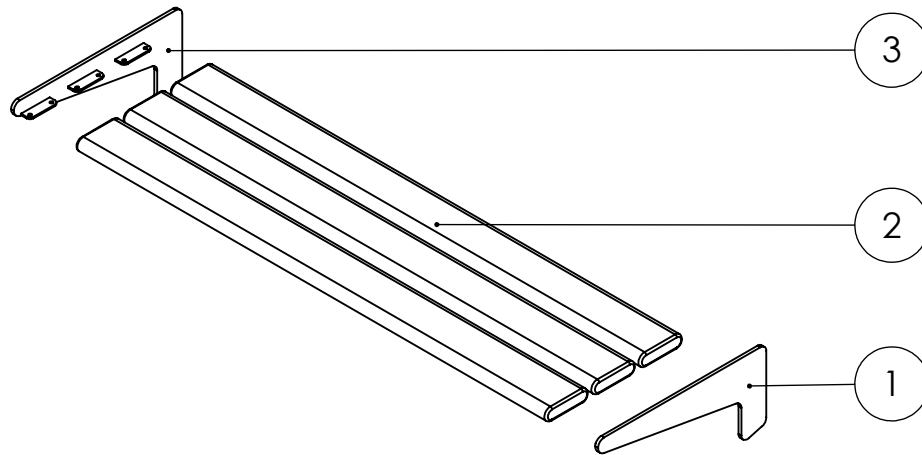
FABRIQUE
 Public Design

Tel +31 15 2127758
 info@fabrique3d.nl

Drawing Name :
 GA-HM-Wallmodule

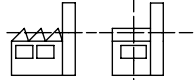
Part-Assem number :

Sheet number :
 14 of 15



ITEM NO.	DESCRIPTION	QTY.
1	GA-HM-Bench Bracket	1
2	GA-HM-Bench wood	3
3	GA-HM-Bench Bracket	1

American Projection



Scale : 1:15 A4

Units : mm

Date : 5-12-2016

Drawn : Jip Spijker

Project: Haltevoorzieningen Metro

Filename: GA-HM-Shelter

Material :
 Mass : grams
 Thickness :
 Finish :

Remarks :

FABRIQUE
 Public Design

Tel +31 15 2127758
 info@fabrique3d.nl

Drawing Name :
 GA-HM-Bench

Part-Assem number :

Sheet number :
 15 of 15